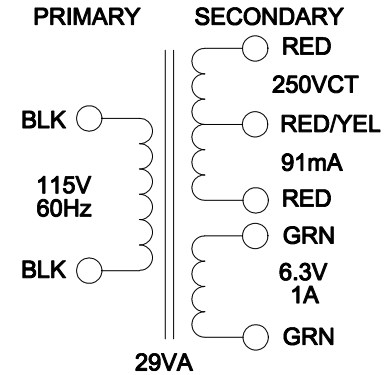
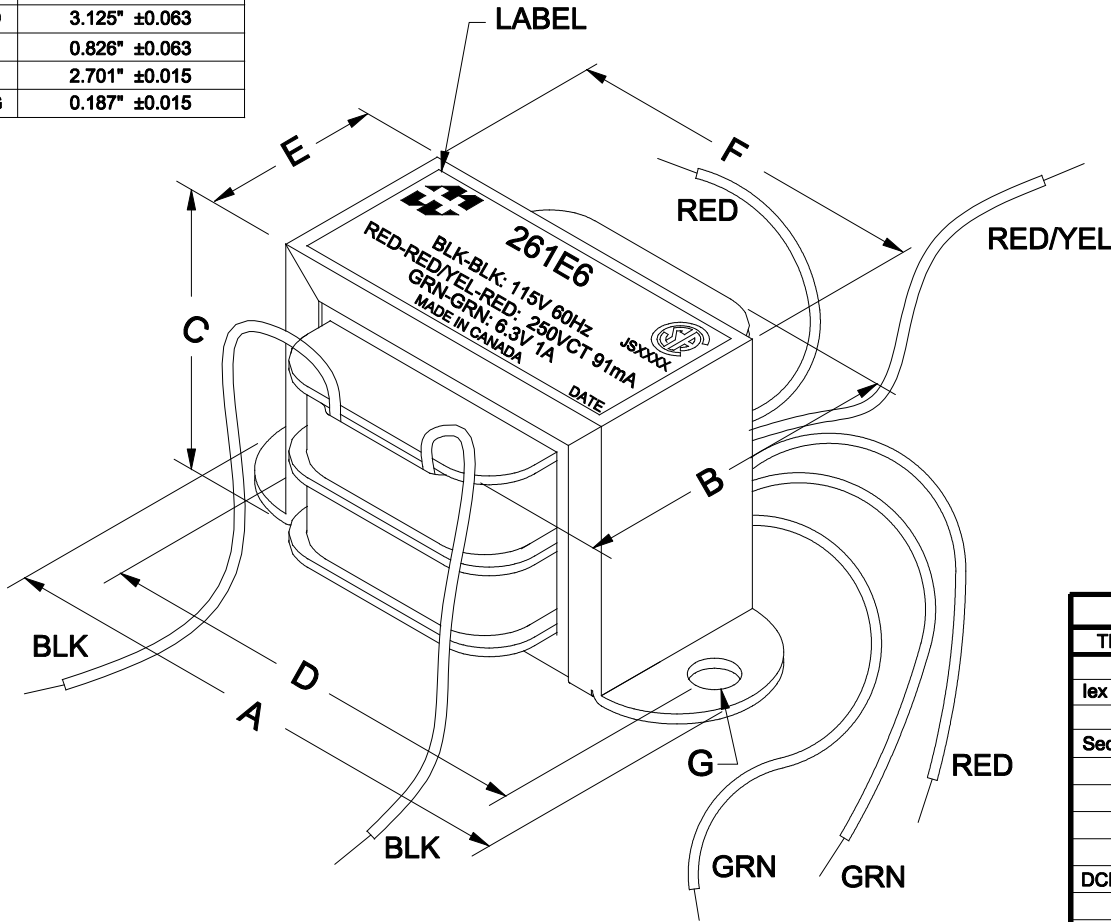


DIMENSIONS:	
A	3.688" ±0.063
B	1.850" ±0.125
C	2.308" ±0.063
D	3.125" ±0.063
E	0.826" ±0.063
F	2.701" ±0.015
G	0.187" ±0.015



NOTE: ALL LEADS 6" OUT MIN. STRIPPED 0.5"

ELECTRICAL DATA:		
TESTS	CONDITIONS	ACCEPTANCE CRITERIA
Iex	@ 115V, 60Hz, BLK - BLK	160mA Max.
Sec. N.L.V	@ 115V, 60Hz, BLK - BLK	
	RED - RED =	280.9V ±2%
	RED - RED/YEL = RED/YEL - RED =	140.4V ±2%
	GRN - GRN =	7.105V ±2%
DCR	@ 20°C, BLK - BLK =	16.46 Ω ±20%
	@ 20°C, RED - RED =	124.0 Ω ±20%
	@ 20°C, GRN - GRN =	0.296 Ω ±20%
HIPOT	PRIMARY - SECONDARY	2000V, 60Hz, 1 SEC

REV.#	REVISION	DATE	HAMMOND MANUFACTURING™		ELECTRONIC DIVISION	
0	RELEASED. C.I.	04/30/15	52 RANKIN PLACE, WATERLOO, ONTARIO, N2J 3Z5		PH # (519) 886-6181 FAX # (519) 886-9540	
			DWG. BY: C. ILIE	CHK'D BY:	TITLE: POWER TRANSFORMER	DWG. NO. 261E6
			DATE: 04/30/15	APP'D. BY:		
				DIMENSIONS: IN(X) MM()		