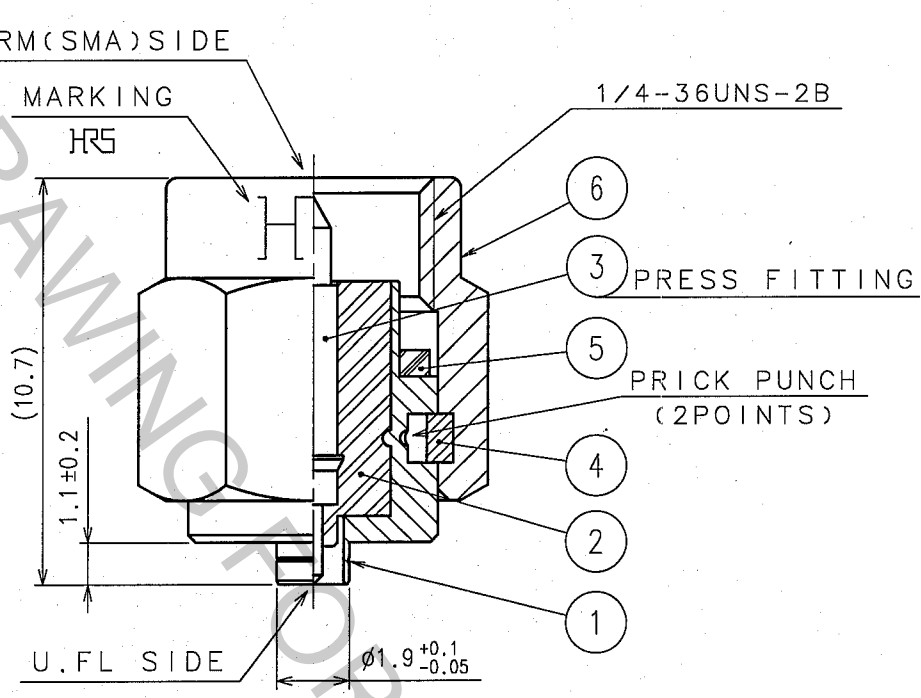
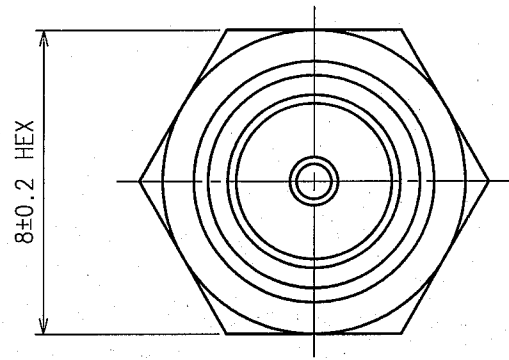


1		2			3			4		
COUNT	DESCRIPTION OF REVISIONS	BY	CHKD	DATE	COUNT	DESCRIPTION OF REVISIONS	BY	CHKD	DATE	
△				..	△				..	
△				..	△				..	
△				..	△				..	



NOTE. USE ONLY FOR ELECTRICAL MEASUREMENT  
BECAUSE OF NO LOCKING DEVICE IN MATING  
PORTION ON U.FL SIDE.

3	BRASS	GOLD PLATED	6	STAINLESS STEEL	PASSIVATE
2	PTFE		5	SILICONE RUBBER	(RED)
1	STAINLESS STEEL	NICKEL PLATED	4	BERYLLIUM COPPER	NICKEL PLATED
NO.	MATERIAL	FINISH, REMARKS	NO.	MATERIAL	FINISH, REMARKS

CODE NO. (OLD) CL	DRAWN Y. Sugiyama 05.11.22	DESIGNED T. Katayama 05.11.22	CHECKED H. Shinizu 05.11.24	APPROVED I. Mitani 05.11.24	RELEASED
RoHS COMPLIANT					

 SCALE 5 : 1 UNITS mm	DRAWING NO. EDC4-131959-40 <b>HRS</b> HIROSE ELECTRIC CO., LTD.	PART NO. HRMP-U.FLJ(40) CODE NO. CL311-0300-2-40	1/1
-----------------------------------	--	---	-----

TO  
RF

