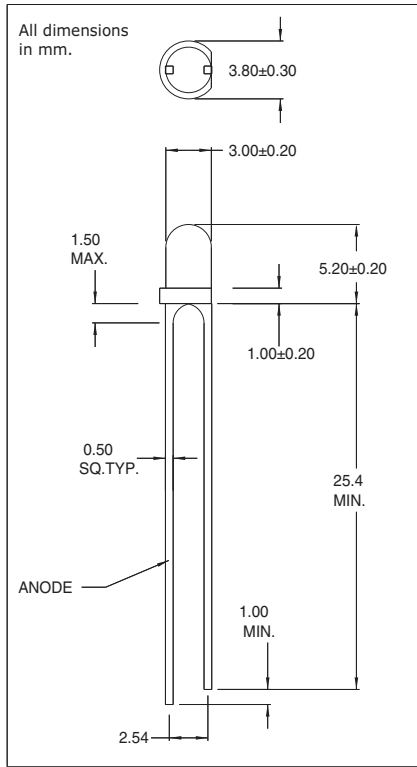




CMD204 UWC Series T-1 White LED

DESCRIPTION AND FEATURES



ELECTRO-OPTICAL CHARACTERISTICS AND RATINGS

PART NUMBER	CMD204UWC
Output Color	White
Diffusion	Non-Diffused
Package Color	Clear
Test Current (mA)	20
Forward Voltage Typ. (V)	3.7
Forward Voltage Max. (V)	3.85
Luminous Intensity Min. (mcd)	700
Luminous Intensity Typ. (mcd)	1000
Luminous Intensity Max. (mcd)	-
Peak Wavelength (nm)	475
Viewing Angle (degrees)	22
Power Dissipation (mW)	120
Operating Temperature (°C)	-20 to +70
Storage Temperature (°C)	-30 to +100
Peak Forward Current Max. (1µs @ 10% duty cycle) (mA)	100
Reverse Voltage (IR=100µA) (V)	5.0
Lead Solder Time @ 260°C	5

147 Central Avenue
 Hackensack, NJ 07601
 Phone: (201) 489-8989
 Fax: (201) 489-6911

18703 Dix Toledo Road
 Brownstown, MI 48193

Saret Zone Franca, Edificio B
 Alajuela Costa Rica

E-mail: sales@chml.com • Web Site: www.chml.com