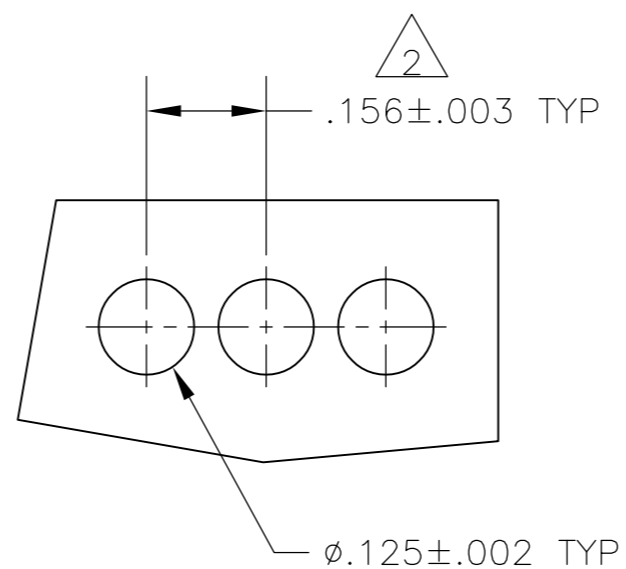
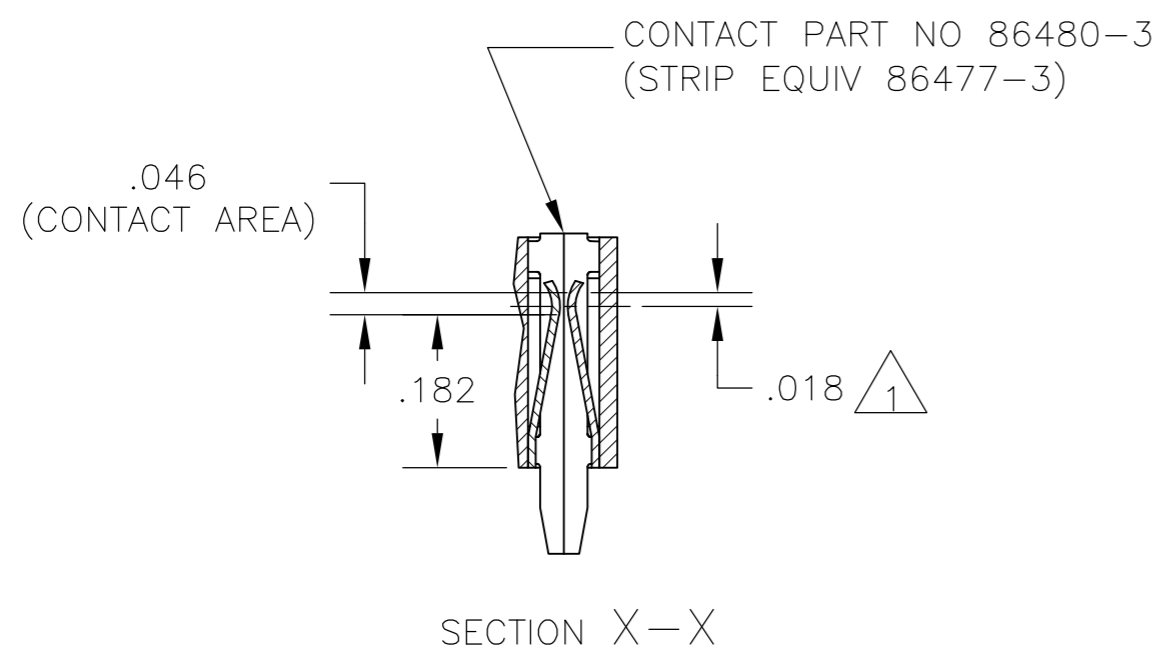
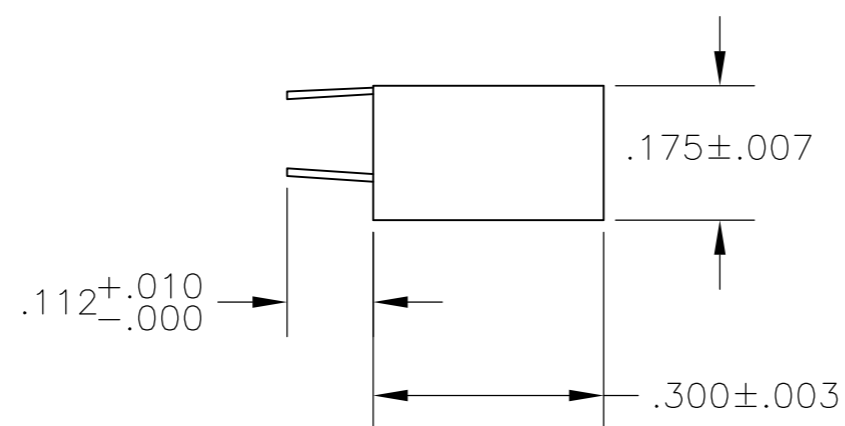
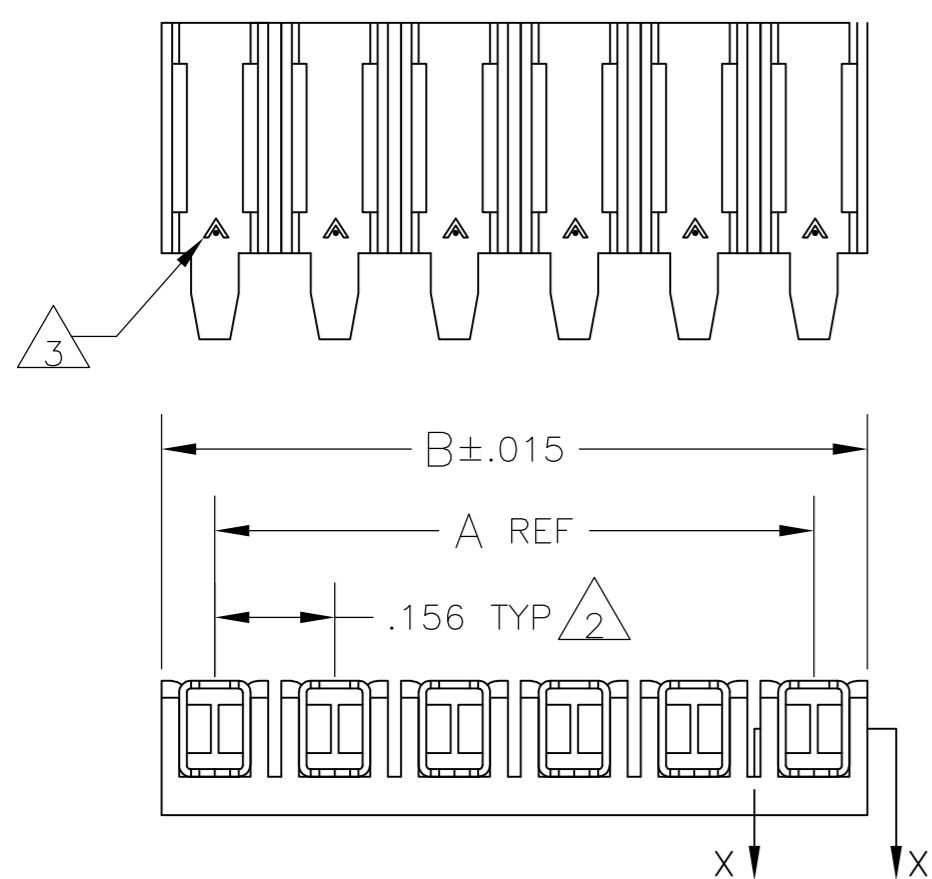


THIS DRAWING IS UNPUBLISHED. RELEASED FOR PUBLICATION
 © COPYRIGHT BY TYCO ELECTRONICS CORPORATION. ALL RIGHTS RESERVED.

LOC		DIST		REVISIONS			
P	LTR	DESCRIPTION	DATE	DWN	APVD		
AD	00	N1	REVISED PER ECO-09-024927	06NOV09	KK	AEG	



- 1 POINT OF MEASUREMENT FOR PLATING THICKNESS (INSIDE OF BEAMS).
- 2 TOLERANCE NON-CUMULATIVE.
- 3 THE MATING END OF THE CONTACT IS IDENTIFIED BY THE LETTER "A" STAMPED ON THE RECEPTACLE BOX.
- 4 OBSOLETE PARTS: OBSOLETE CIS STREAMLINING PER D.RENAUD/D.SINISI



	B	A	NO OF POSN	ASSEMBLY PART NUMBER
OBSOLETE 4	3.120	2.964	20	2-87983-0
	2.964	2.808	19	1-87983-9
	2.808	2.652	18	1-87983-8
	2.652	2.496	17	1-87983-7
OBSOLETE 4	2.496	2.340	16	1-87983-6
	2.340	2.184	15	1-87983-5
	2.184	2.028	14	1-87983-4
	2.028	1.872	13	1-87983-3
	1.872	1.716	12	1-87983-2
	1.716	1.560	11	1-87983-1
	1.560	1.404	10	1-87983-0
OBSOLETE 4	1.404	1.248	9	87983-9
	1.248	1.092	8	87983-8
OBSOLETE 4	1.092	.936	7	87983-7
	.936	.780	6	87983-6
OBSOLETE 4	.780	.624	5	87983-5
	.624	.468	4	87983-4
OBSOLETE 4	.468	.312	3	87983-3
	.312	.156	2	87983-2

THIS DRAWING IS A CONTROLLED DOCUMENT.

DWN L D RINGLEY 17MAR86
 CHK P C DEJONG 18MAR86
 APVD P C DEJONG 18MAR86

Tyco Electronics Corporation
 Harrisburg, PA 17105-3608

NAME ASSY, MOD I, BOARD MOUNT RECP,
 .156CL, STD PRESSURE, TYPE A,
 FOR ROUND HOLE MOUNTING

PRODUCT SPEC 108-25,016
 APPLICATION SPEC 114-25,004

SIZE A2 CAGE CODE 00779 DRAWING NO C=87983 RESTRICTED TO -

MATERIAL HOUSING-FLAME RETARDANT THERMOPLASTIC, COLOR-BLACK CONTACTS: PHOS BRONZE FINISH: .000079 MIN TIN WEIGHT -

CUSTOMER DRAWING SCALE 4:1 SHEET 1 OF 1 REV N1