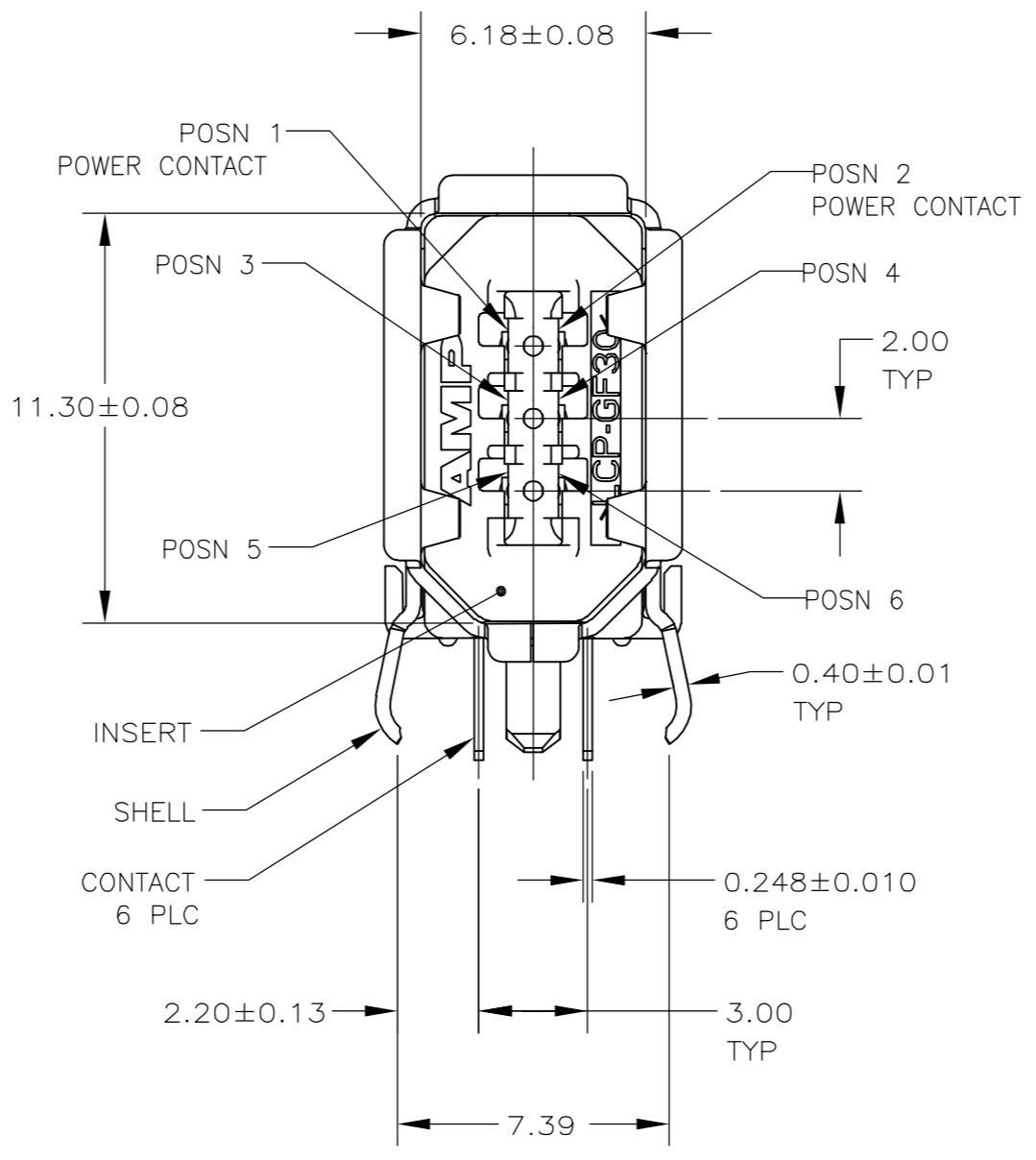
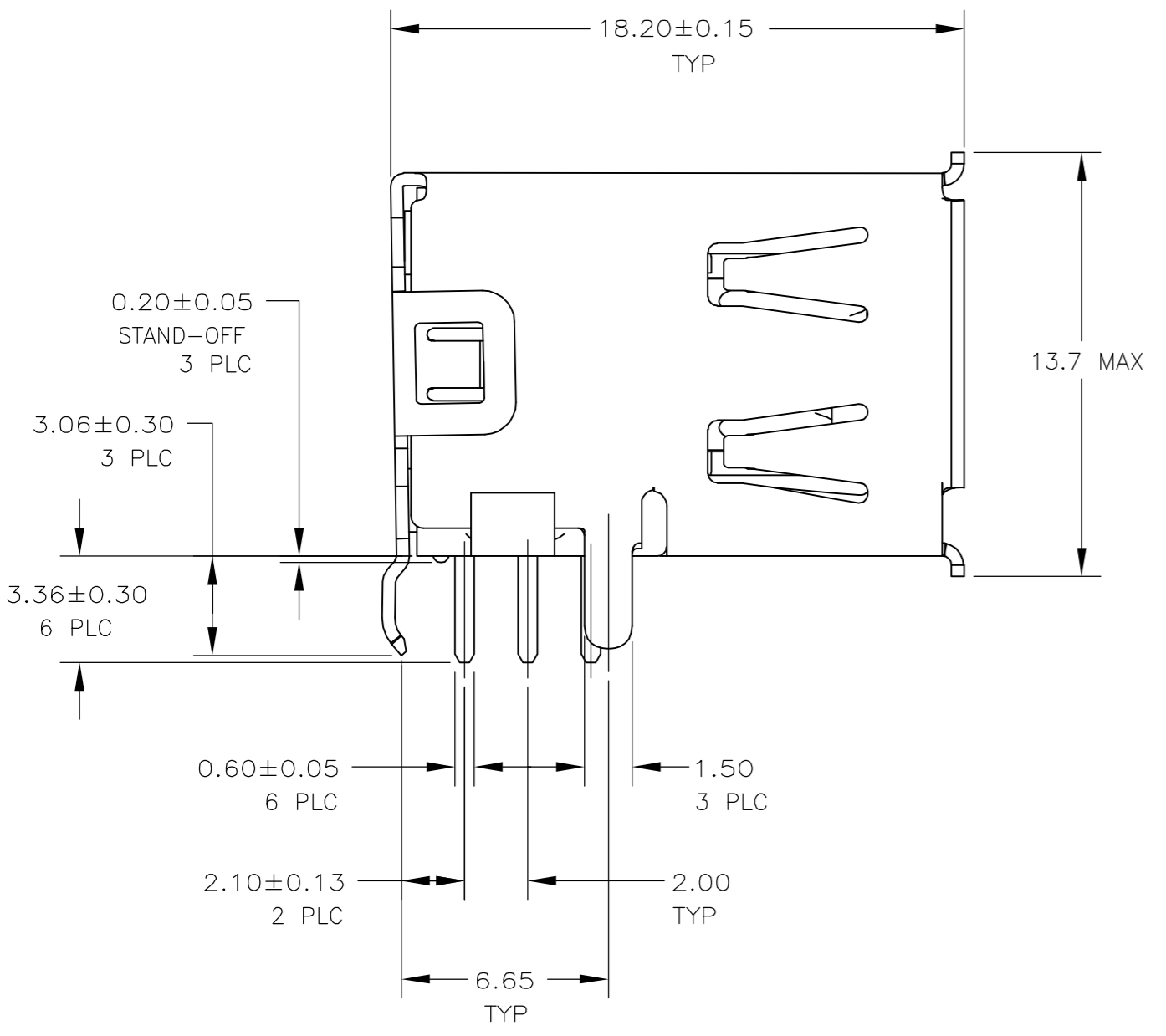
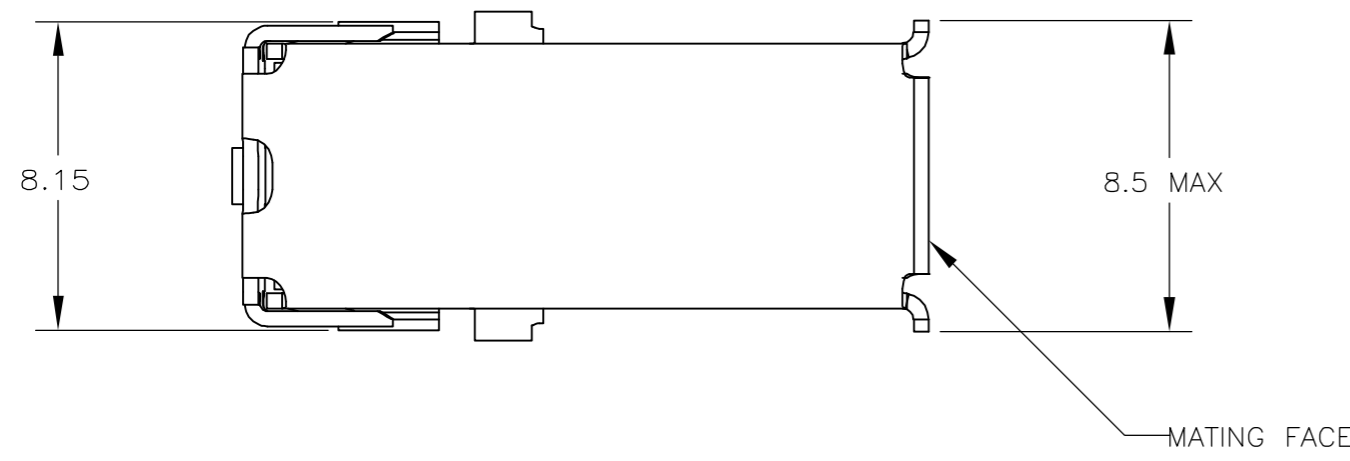
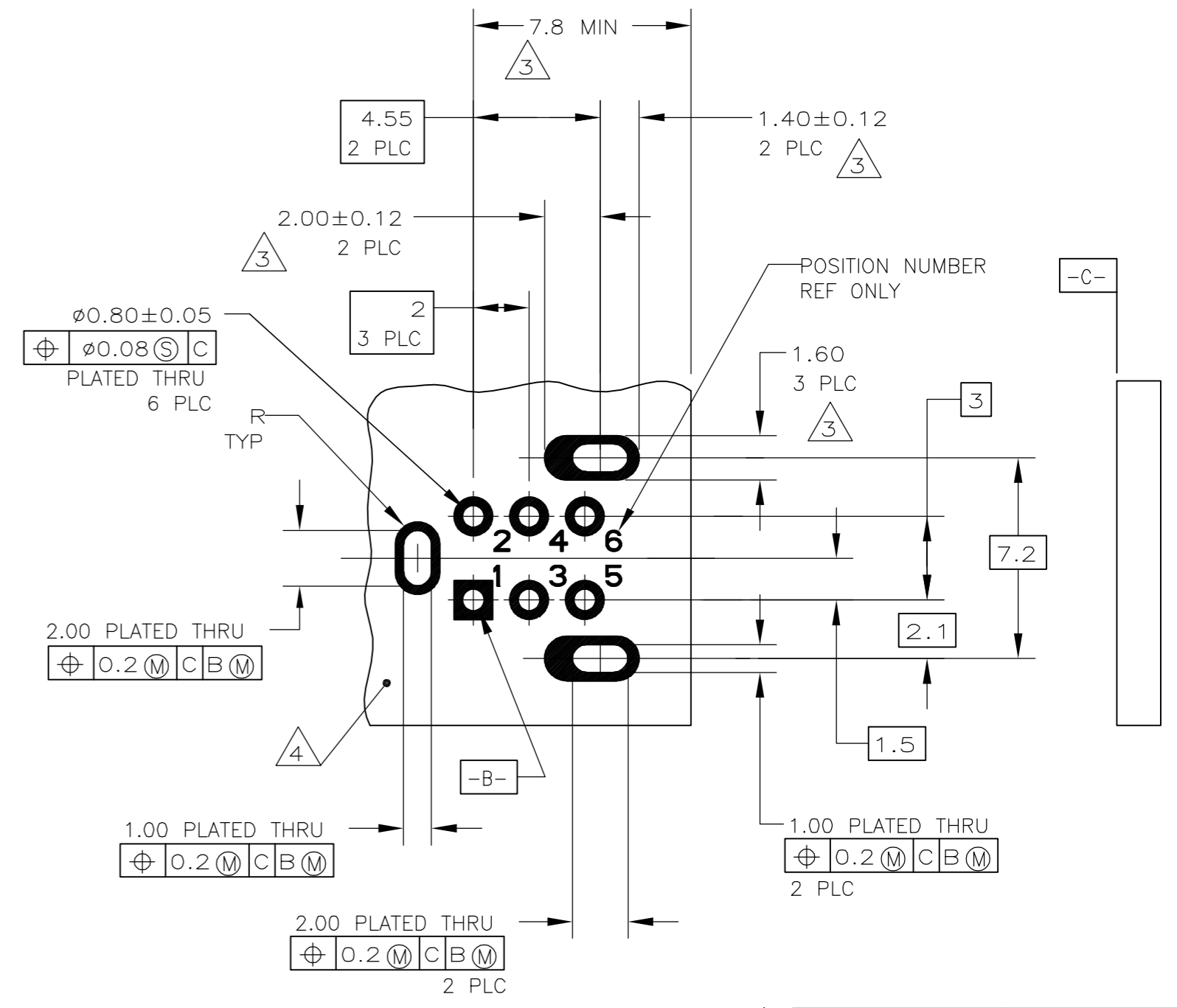


THIS DRAWING IS UNPUBLISHED. RELEASED FOR PUBLICATION
 © COPYRIGHT BY TYCO ELECTRONICS CORPORATION. ALL RIGHTS RESERVED.

Loc		DIST		REVISIONS			
P	LTR	DESCRIPTION		DATE	DWN	APVD	
	L	REVISED ECR-05-009006		16AUG05	G.Z.	J.Q.	

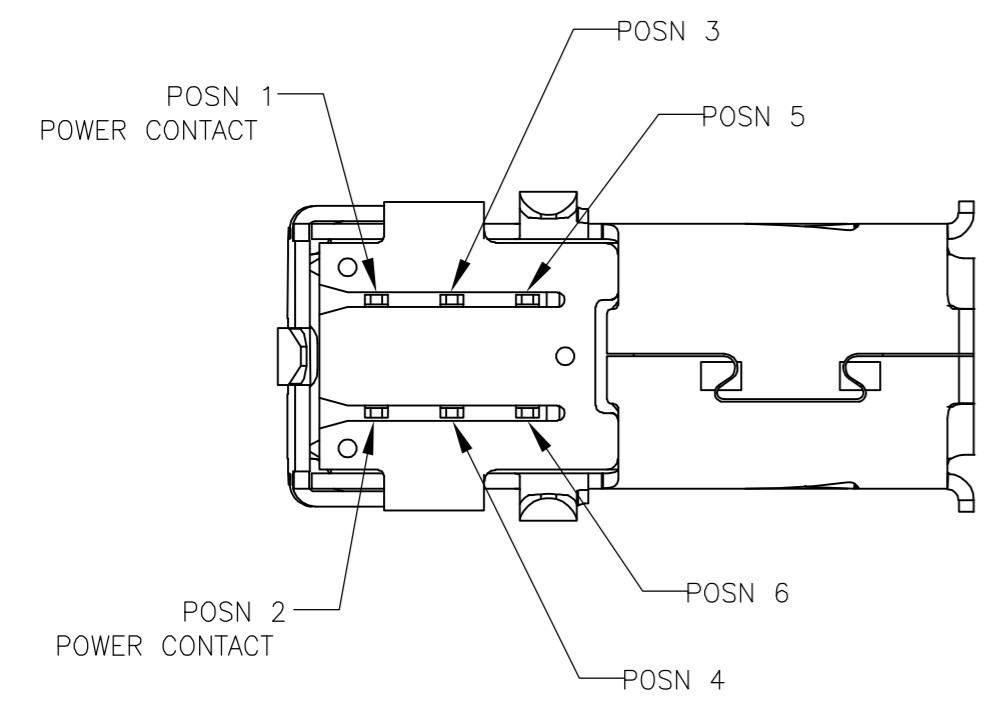


- 1 CONTACTS: BRASS; SHELL: PHOS BRONZE; INSERT: LCP, BLACK, UL 94V-0 RATED.
- 2 CONTACTS: (0.076µm MIN GOLD OVER 0.76µm MIN PALLADIUM-NICKEL) OR (0.76µm MIN GOLD) FOR A LENGTH OF 2 MIN ON MATING FACE END, 3.81µm MIN TIN-LEAD FOR A LENGTH OF 3.75 MIN ON OPPOSITE END, ALL OVER 1.27µm MIN NICKEL; SHELL: 2.54µm MIN TIN.
- 3 COORDINATE DIMENSION APPLIES FROM CENTER OF ACTUAL FEATURE.
- 4 CONNECTOR SIDE OF PWB IS SHOWN.
- 5 SUPERSEDED BY 787956-1.



RECOMMENDED PWB LAYOUT

IN TUBES	787956-2
IN TRAYS	787956-1
PACKAGING	PART NO



THIS DRAWING IS A CONTROLLED DOCUMENT.		DWN M.E.SHIRK 04JUN99	 Tyco Electronics Corporation Shanghai, P.R. China, 200233
DIMENSIONS: mm		CHK J.CONDRIGE 04JUN99	
TOLERANCES UNLESS OTHERWISE SPECIFIED:		APVD -	NAME PRODUCT SPEC APPLICATION SPEC
0 PLC ± -		1 PLC ± -	
2 PLC ± 0.1		3 PLC ± -	SIZE A2 CAGE CODE 00779 DRAWING NO C=787956 RESTRICTED TO -
4 PLC ± -		ANGLES ± -	
MATERIAL - 1		FINISH - 2	SCALE 5:1 SHEET 1 OF 1 REV L
CUSTOMER DRAWING			