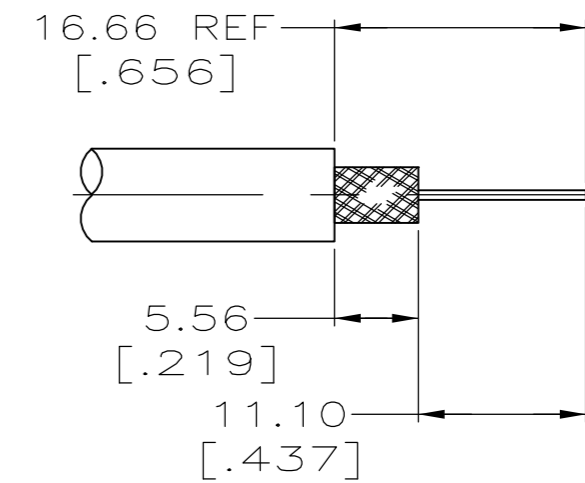
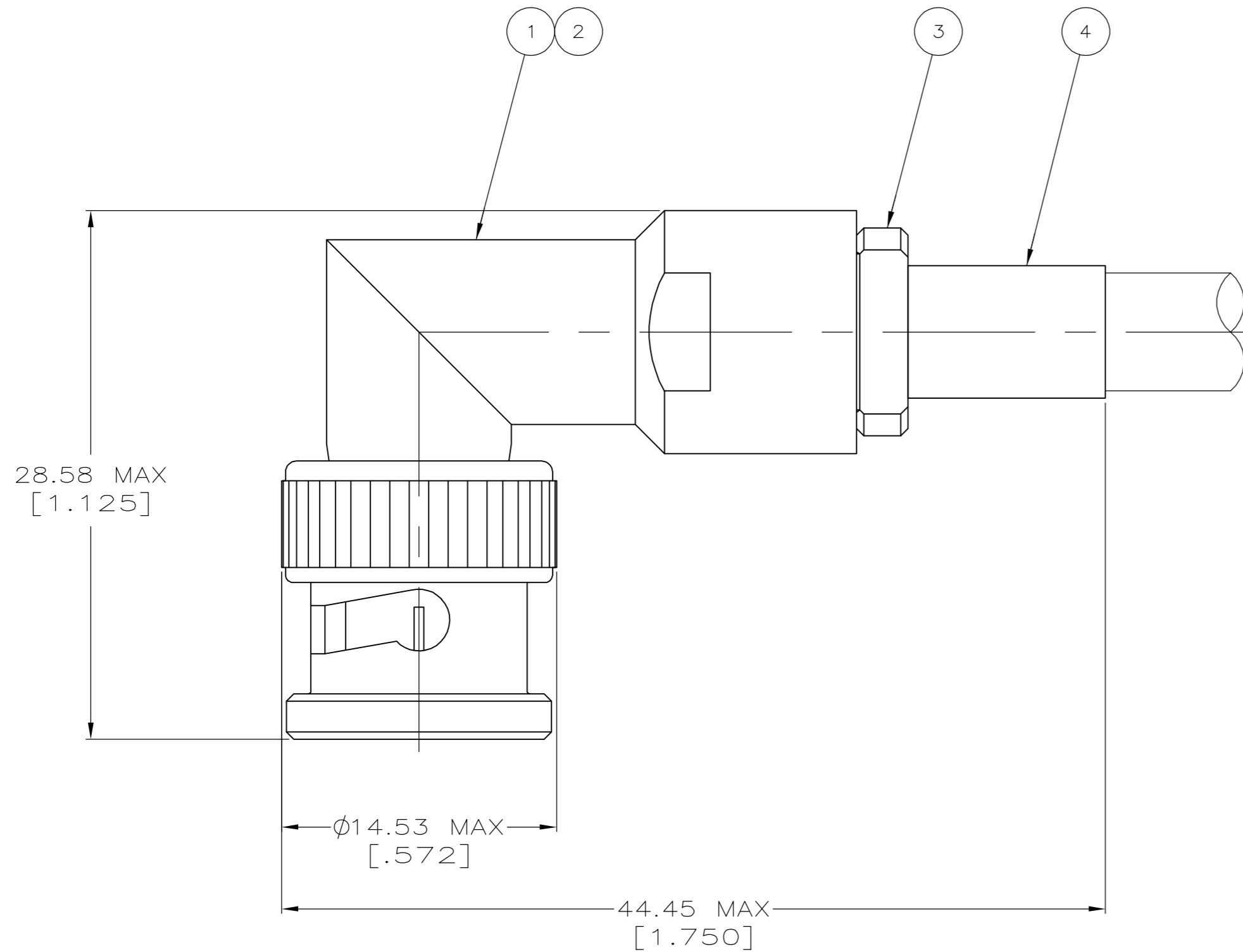


THIS DRAWING IS UNPUBLISHED. RELEASED FOR PUBLICATION  
 © COPYRIGHT BY TYCO ELECTRONICS CORPORATION. ALL RIGHTS RESERVED.

LOC	DIST	REVISIONS			
P	LTR	DESCRIPTION	DATE	DWN	APVD
AJ	16	A	REV PER ECO 06-002539	07APR06	GB JH

1. USE INSTRUCTION SHEET 408-1799-5.
2. FOR USE WITH: RG-58/U, 58A/U, 58B/U, & 58C/U CABLE.
3. USE PROCRIMPER 354940-1 WITH DIE SET 91904-4.



RECOMMENDED STRIP LENGTH  
SCALE 2:1

9-328663-0	9-50793-0	2-329106-1	9-330797-0	5331175
④ FERRULE QTY=1	③ CRIMP END ASSEMBLY QTY=1	② GASKET QTY=1	① PLUG ASSEMBLY, BULKHEAD QTY=1	PART NUMBER

THIS DRAWING IS A CONTROLLED DOCUMENT.

DIMENSIONS: mm [INCHES]	TOLERANCES UNLESS OTHERWISE SPECIFIED:	DWN B. MCMASTER 20DEC05	Tyco Electronics Corporation Harrisburg, PA 17105-3608
	0 PLC ± - 1 PLC ± - 2 PLC ± 0.41 [.016] 3 PLC ± - 4 PLC ± - ANGLES ± -	CHK J. LIPPERT 20DEC05	
MATERIAL	FINISH	APVD J. LIPPERT 20DEC05	
-	-	PRODUCT SPEC APPLICATION SPEC	

NAME: PLUG, RIGHT ANGLE, 50 OHM, BNC

SIZE	CAGE CODE	DRAWING NO	RESTRICTED TO
A2	00779	C=5331175	-

CUSTOMER DRAWING SCALE 4:1 SHEET 1 of 1 REV A