

4

3

2

1

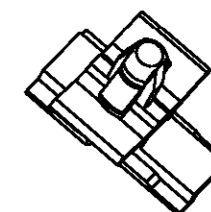
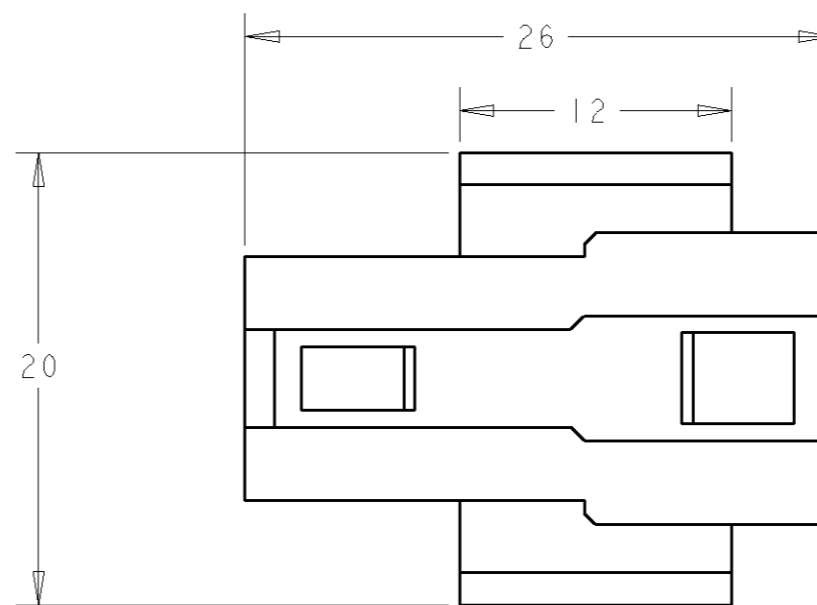
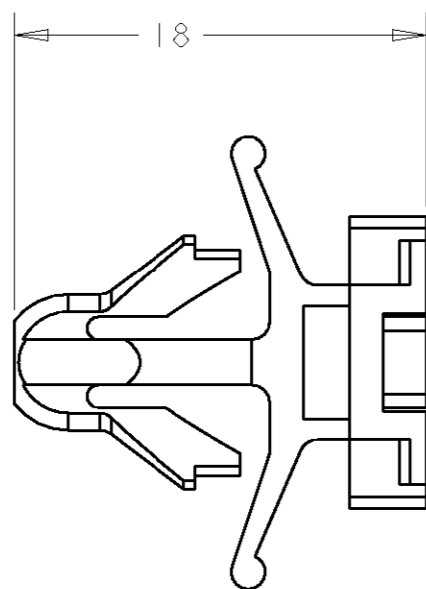
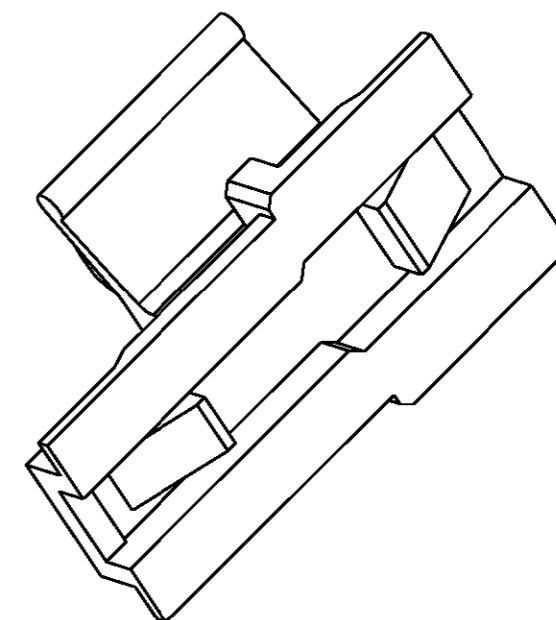
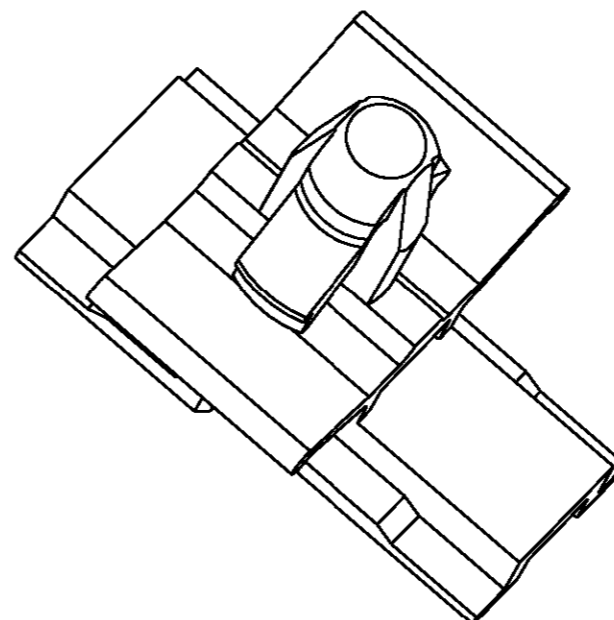
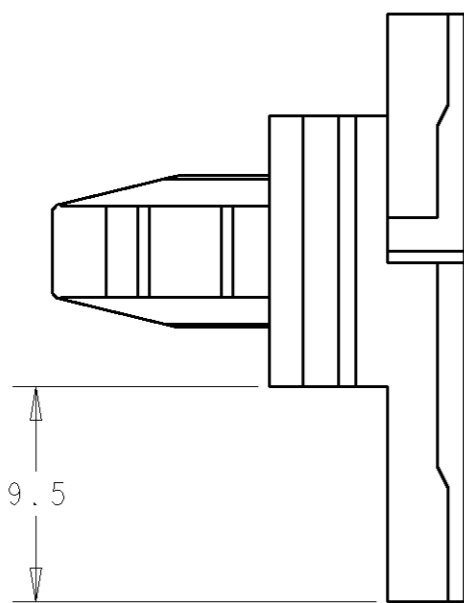
THIS DRAWING IS UNPUBLISHED.

RELEASED FOR PUBLICATION

© COPYRIGHT

ALL RIGHTS RESERVED.

LOC	DIST	REVISIONS			
P	LTR	DESCRIPTION	DATE	DWN	APVD
E	B	B1 REVISED PER ECO-11-005294	12APR11	RK	HMR



SCALE 1:1

NOTE:
PRODUCT MAY EXHIBIT A GREEN TINGE DUE TO COPPER SALTS
IN THE NATURAL RESIN MATERIAL ON PART NUMBER 345484-1

PANEL THICKNESS - 0.8 - 1.6mm
PANEL HOLE SIZE - 6.5 - 7.0 mm
MINIMUM PULL OUT FORCE - 10 KG

NATURAL	NYLON 66	345484-1
COLOUR	MATERIAL	PART NUMBER



DWN R. RUNAGAL 14AUG1990		TE Connectivity NAME DUAL PURPOSE BODY CLIP FOR 040 OR 070 MULTILOCK HOUSINGS	
CHK P. TANNER 14AUG1990			
APVD J. PALMER 14AUG1990			
DIMENSIONS: mm		PRODUCT SPEC	
TOLERANCES UNLESS OTHERWISE SPECIFIED:		APPLICATION SPEC	
0 PLC ±- 1 PLC ±0.5 2 PLC ±0.5 3 PLC ±0.5 4 PLC ±- ANGLES ±5		WEIGHT -	
MATERIAL -		FINISH -	
		SIZE A3 CAGE CODE 00779 DRAWING NO C-345484 RESTRICTED TO -	
CUSTOMER DRAWING		SCALE 3:1 SHEET 1 OF 1 REV B1	