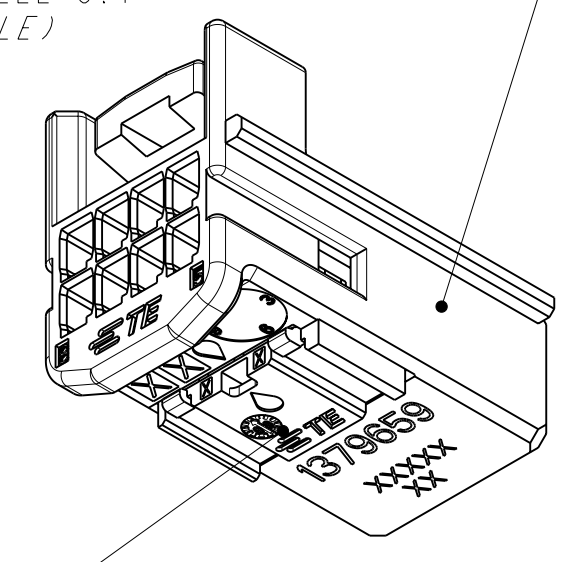
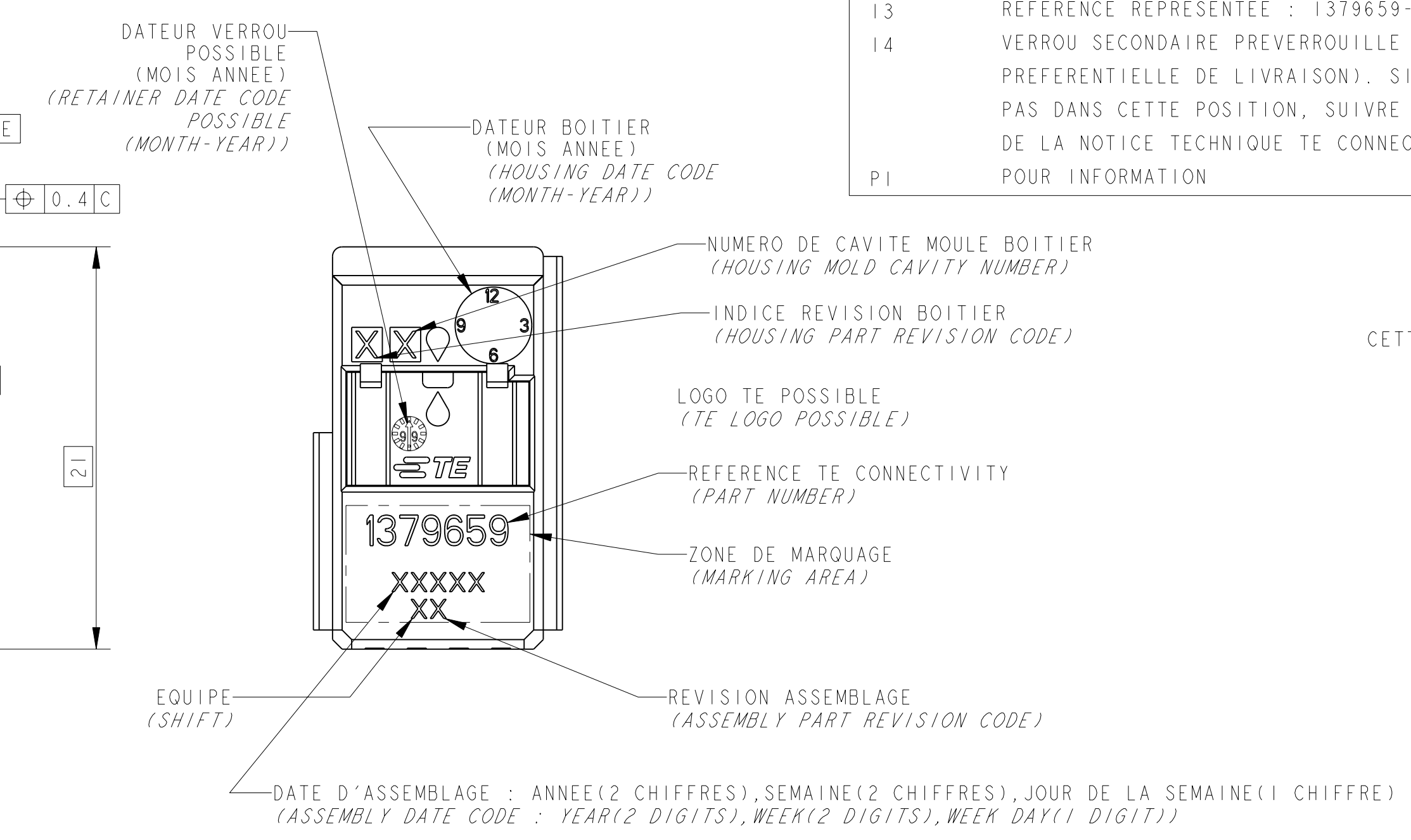
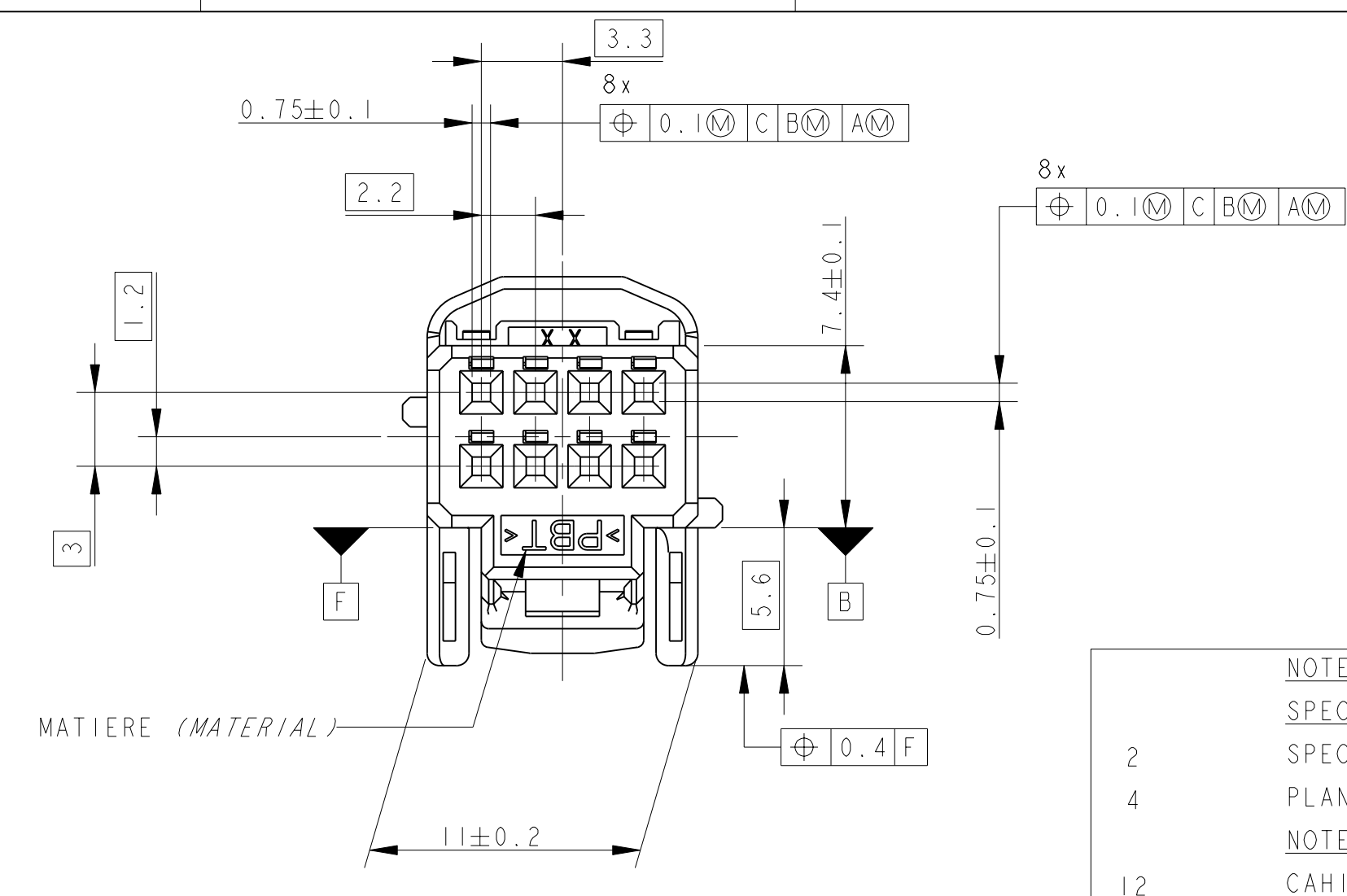


LOC	DIST	REV	DESCRIPTION	DATE	DWN	APP
F	00	E1	REVISED PER ECO-11-005150	28MAR2011	RK	HMR
		F	SUPPRESSION DU TABLEAU DES CONTACTS	10NOV2011	PB	JP-P
		G	MODIFICATION PRC ASSEMBLY	13JUN2012	PB	JPP

ECHELLE 3:1  
(SCALE)

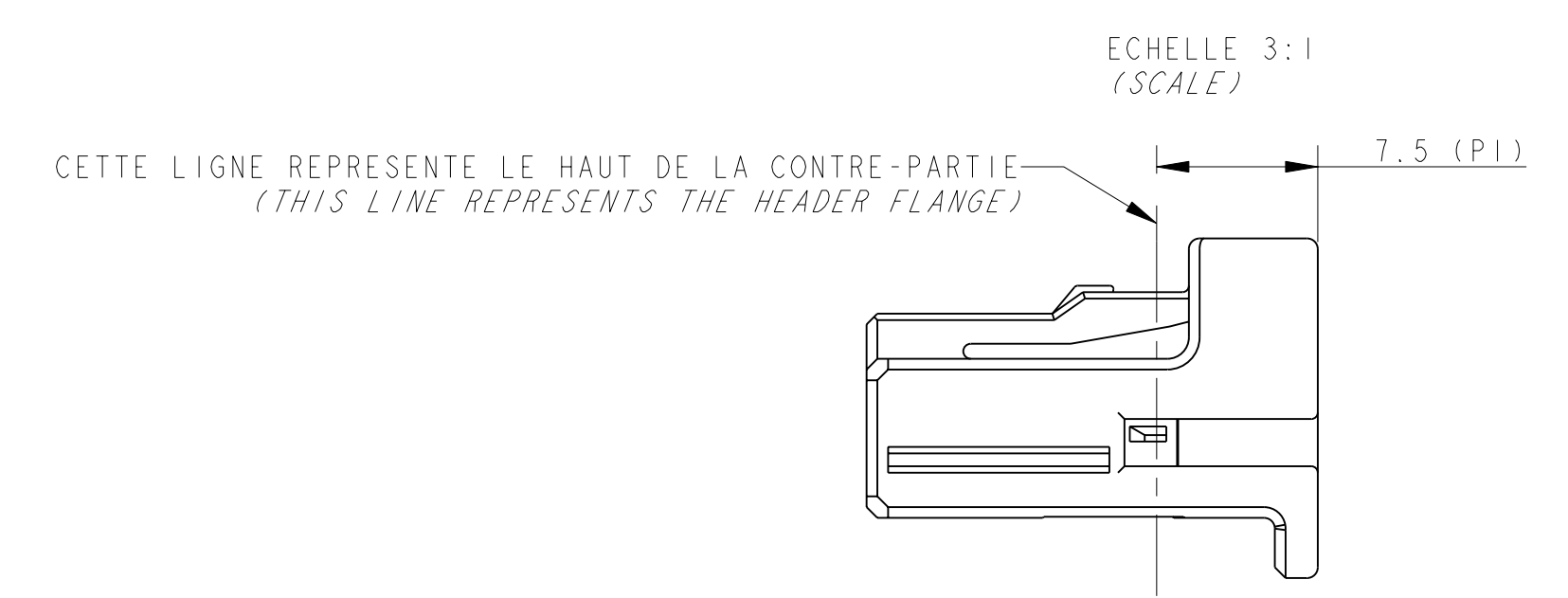
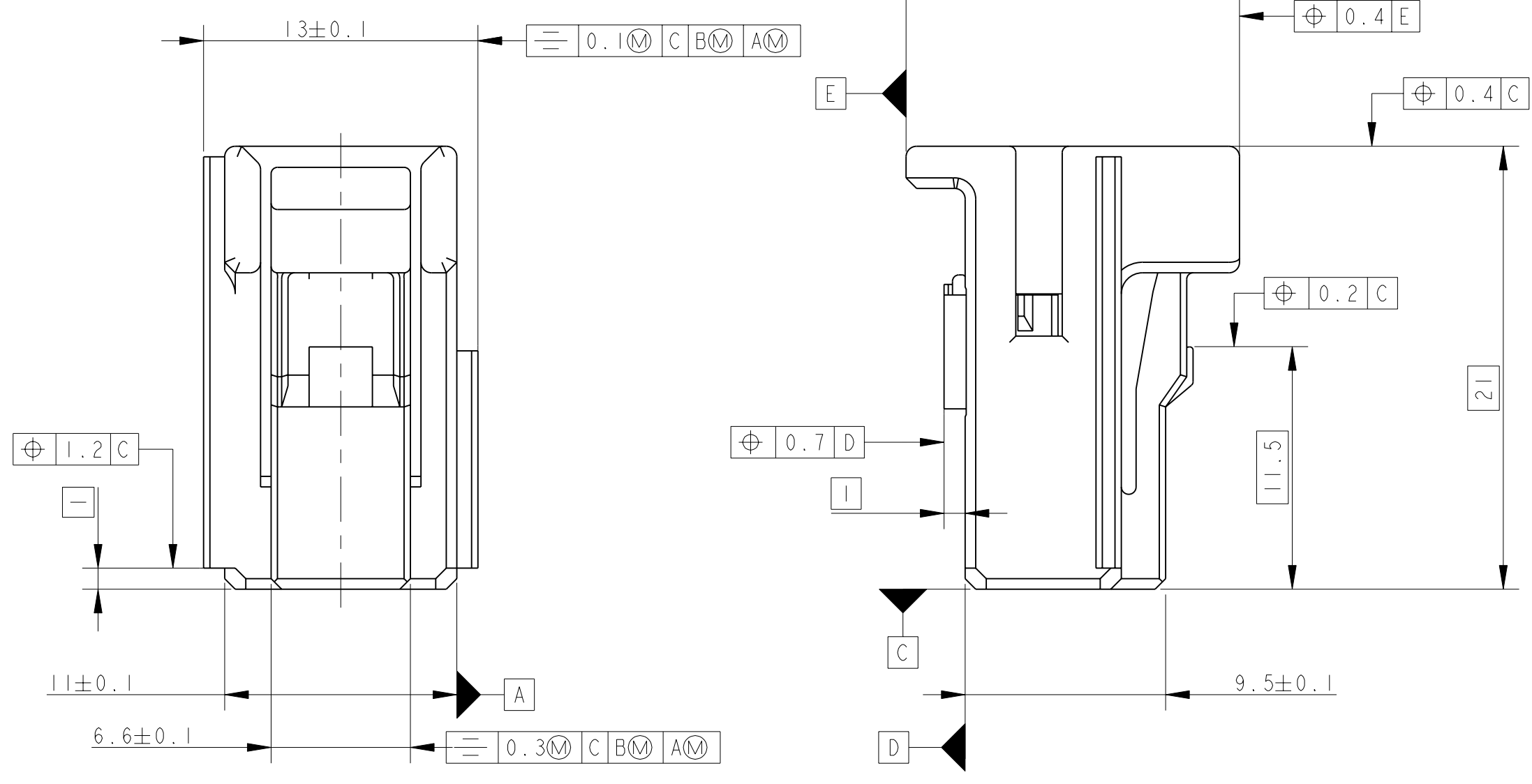


VERROU SECONDAIRE / RETAINER



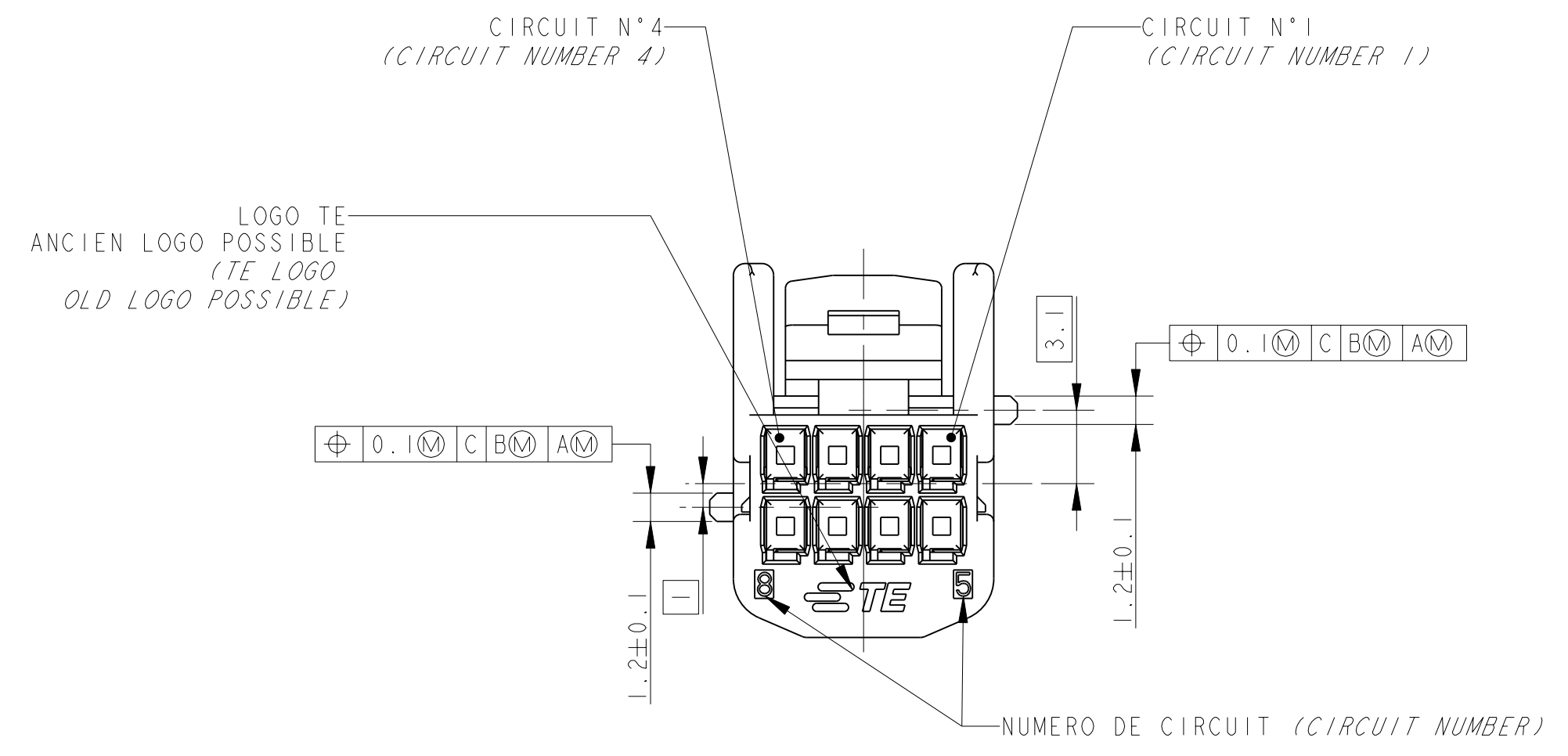
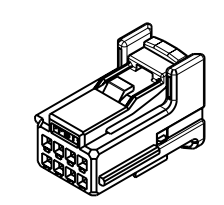
NOTES : LES NOTES LOCALES SONT ENTRE <->  
 SPECIFICATIONS DE REFERENCE :  
 2 SPECIFICATION TE CONNECTIVITY : 108-15299  
 4 PLAN D'INTERFACE TE CONNECTIVITY : 1379775  
 NOTES COMPLEMENTAIRES :  
 12 CAHIER DE PRECONISATION : 411-15672  
 13 REFERENCE REPRESENTEE : 1379659-1  
 14 VERROU SECONDAIRE PREVERROUILLE (POSITION PREFERENTIELLE DE LIVRAISON). SI LE VERROU N'EST PAS DANS CETTE POSITION, SUIVRE LES INSTRUCTIONS DE LA NOTICE TECHNIQUE TE CONNECTIVITY 411-15672 POUR INFORMATION

LOCALE NOTES ARE BETWEEN <->  
 APPLICABLE SPECIFICATION :  
 TE CONNECTIVITY SPECIFICATION (SEE BEFORE)  
 TE CONNECTIVITY INTERFACE DRAWING (SEE BEFORE)  
 ADDITIONAL NOTES :  
 INSTRUCTION SHEET : (SEE BEFORE)  
 PART NUMBER SHOWN (SEE BEFORE)  
 SECONDARY LOCK IN PRELOCKED POSITION (PREFERRED DELIVERY POSITION). IF SECONDARY LOCKING IS NOT IN THIS POSITION, FOLLOW INSTRUCTIONS OF TE CONNECTIVITY SPECIFICATION 411-15672 FOR REFERENCE ONLY



VERROU SECONDAIRE EN POSITION VERROUILLE  
(SECONDARY LOCKING IN CLOSED POSITION)

ECHELLE 1:1  
(SCALE)



PART NUMBER	DESCRIPTION / DESCRIPTION	CODAGE / KEYING	MATIERE BOITIER - MATIERE VERROU SECONDAIRE / HOUSING MATERIAL - RETAINER MATERIAL	COULEUR BOITIER - COULEUR VERROU SECONDAIRE / HOUSING COLOR - RETAINER COLOR	REVISION ASSEMBLAGE / ASSEMBLY REVISION CODE
1379659-4	CONNECTEUR 8 VOIES / 8 WAY CONNECTOR	4 / 4	PBT-PBT / PBT-PBT	VERT-NATUREL / GREEN-NATURAL	B
1379659-5	CONNECTEUR 8 VOIES / 8 WAY CONNECTOR	NEUTRE / NEUTRAL	PBT-PBT / PBT-PBT	NATUREL-NATUREL / NATURAL-NATURAL	B
1379659-3	CONNECTEUR 8 VOIES / 8 WAY CONNECTOR	3 / 3	PBT-PBT / PBT-PBT	BLEU-NATUREL / BLUE-NATURAL	B
1379659-2	CONNECTEUR 8 VOIES / 8 WAY CONNECTOR	2 / 2	PBT-PBT / PBT-PBT	GRIS-NATUREL / GREY-NATURAL	B
1379659-1	CONNECTEUR 8 VOIES / 8 WAY CONNECTOR	1 / 1	PBT-PBT / PBT-PBT	NOIR-NATUREL / BLACK-NATURAL	B

THIS DRAWING IS A CONTROLLED DOCUMENT.

DWN / REVISION: 29 OCT 2002  
 D. BANCE  
 CHK / REVISION: 04 NOV 2002  
 B. DUPOND

APVD / APPROVE: 04 NOV 2002  
 JP. PICAUD

TE Connectivity

025 TH 8 POS  
 PLUG HOUSING

SIZE: A1  
 CAGE CODE: 100779  
 DRAWING NO: 1379659

RESTRICTED TO RESERVE A

CUSTOMER DRAWING / PLAN CLIENT UNIFORME FOUR REFERENCE SCALE: 4:1 SHEET: 1 OF 2 REV: G

LOC		DIST		REVISIONS			
P	LTB	REV	DESCRIPTION	DATE	DWN	APP	
-	-	-	SEE SHEET 1	-	-	-	-

PN 1379659-1	PN 1379659-2	PN 1379659-3	PN 1379659-4	PN 1379659-5
CODAGE 1 (NOIR) KEYING 1 (BLACK)	CODAGE 2 (GRIS) KEYING 2 (GRAY)	CODAGE 3 (BLEU) KEYING 3 (BLUE)	CODAGE 4 (VERT) KEYING 4 (GREEN)	CODAGE NEUTRE (NATUREL) NEUTRAL KEYING (NATURAL)

THIS DRAWING IS A CONTROLLED DOCUMENT.		DWN / RESSINE: 29 OCT 2002 D. BANCE		TE Connectivity 025 TH 8 POS PLUG HOUSING	
DIMENSIONS: mm		CHK / VERIFIE: 04 NOV 2002 B. DUPOND			
TOLERANCES UNLESS OTHERWISE SPECIFIED: TOLERANCES NON SPECIFIEES: 0 P.L.C./DEC: ± 1 P.L.C./DEC: ± 2 P.L.C./DEC: ±0.2 3 P.L.C./DEC: ± 4 P.L.C./DEC: ± ANGLES: ±5°		APVD / APPROUVE: 04 NOV 2002 JP. PICAUD PRODUCT SPEC: - SPEC. PRODUCT: - APPLICATION SPEC: - SPEC. APPLICATION: - SEE TABLE		SIZE: A1 FORM: 100779 DRAWING NO: 1379659	
MATERIAL / MATIERE: SEE TABLE		FINISH / FINITION: -		RESTRICTED TO: RESERVE A	
WEIGHT: -		MASS: APPROX. -		CUSTOMER DRAWING / PLAN CLIENT	
UNIFORMITY: -		EQUIVALENT: -		SCALE: 4:1	
SHEET: 2		FEUILLE: 2		OF: 2	
REV: G					