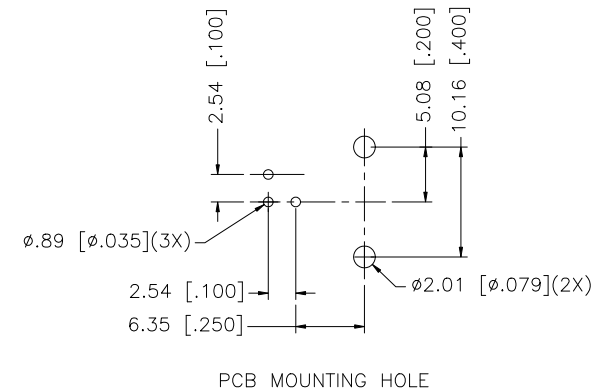
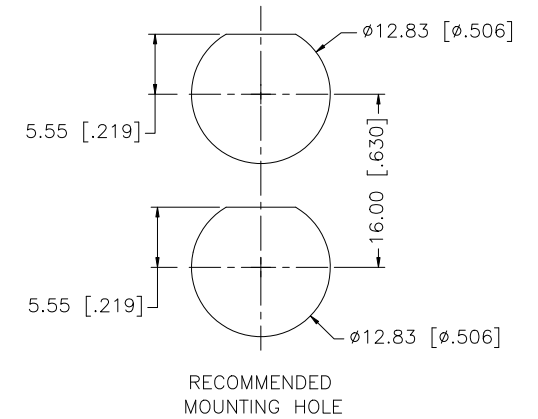
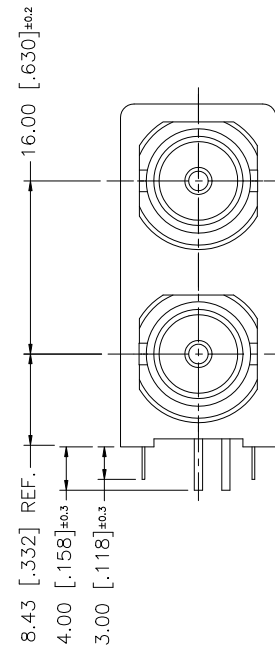
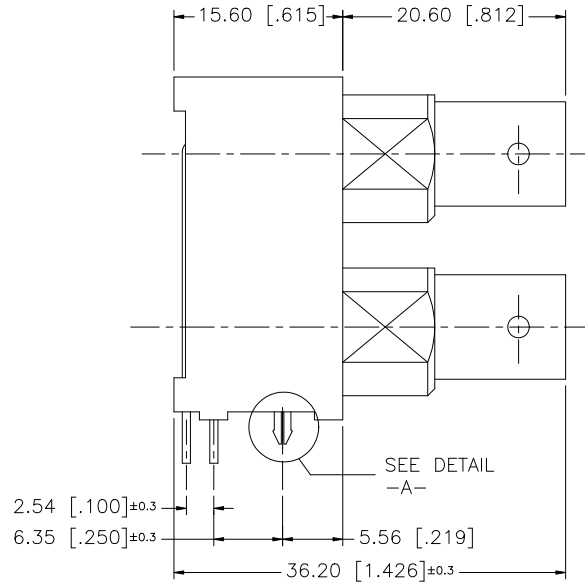
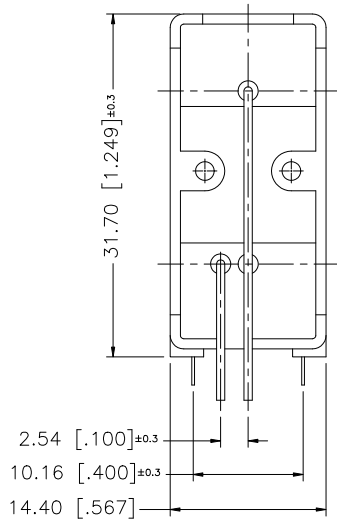
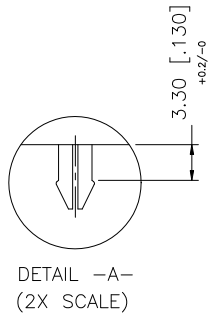


REV.	DATE	ECR NO.	DESCRIPTION
A	10/29/02	-	MODIFY DESCRIPTION
B	02/25/09	100083	UPDATE DRAWING FORMAT



DESCRIPTION	MATERIAL	FINISH	QTY
8			
7			
6	MOUNTING POST	BRASS	BRT. TIN 1
5	POST	COPPER	BRT. TIN 1
4	CONTACT PIN	BER. COPPER	GOLD FLASH 1
3	CONTACT PIN	BER. COPPER	GOLD FLASH 1
2	INSULATOR	P.P.	NATURAL 1
1	BODY	ZINC DIE CAST	NICKEL 1

UNLESS OTHERWISE SPECIFIED DIMENSIONS ARE IN MILLIMETERS. DIMENSIONS IN [ ] ARE IN INCHES AND FOR CUSTOMER REFERENCE ONLY.

UNLESS OTHERWISE SPECIFIED TOLERANCES FOR MILLIMETERS ARE:  
0.5 - 8mm ± 0.20mm  
8 - 30mm ± 0.40mm  
30 - 120mm ± 0.50mm

UNLESS OTHERWISE SPECIFIED TOLERANCES FOR INCHES ARE:  
.020 - .315 = ± 0.007"  
.315 - 1.180 = ± 0.015"  
1.180 - 4.724 = ± 0.020"

DO NOT SCALE DRAWING

APPROVALS	DATE
DRAWN GRS	02/25/09
CHECKED	
ISSUED	
SHEET 1 OF 1	
CAD FILE	C:/112/112707.DWG

**Amphenol Connex**

PART DESCRIPTION  
**DUAL PORT BNC PCB MOUNT  
RECEPTACLE - DIE CAST 75ohm**

PART NO.  
**112707**

DWG. NO.	112707.DWG	REV.	B	SIZE	A	SCALE	NA
----------	------------	------	---	------	---	-------	----