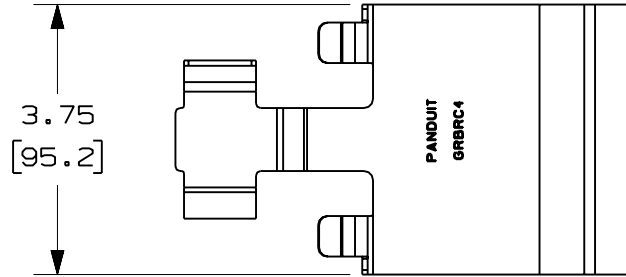
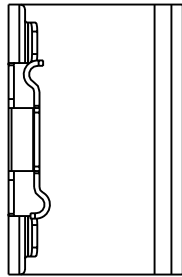
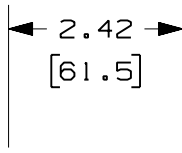
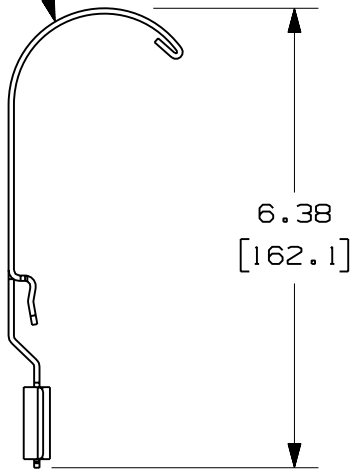


THIS COPY IS PROVIDED ON A RESTRICTED BASIS AND IS NOT TO BE USED IN ANY WAY DETRIMENTAL TO THE INTERESTS OF PANDUIT CORP.

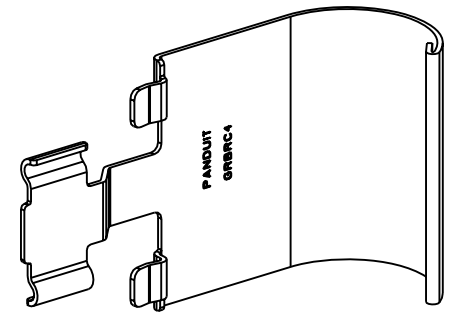
1.50 R REF
[38.1]



PANDUIT PART NUMBER	WEIGHT
GRBRC4PG	0.59 LB/EA (268g/EA)

NOTES:

- SEE CURRENT CATALOG FOR ADDITIONAL PART SUFFIXES TO INDICATE PACKAGE QUANTITY.
- DIMENSIONS IN PARENTHESES ARE IN METRIC.



ENG. REF.: D39065JZ_DC/00 GRBRC4

CAD FILENAME/LAYERS: GRBRC4PG.pdf

PANDUIT CORP TINLEY PARK, ILLINOIS
GRIDRUNNER BEND RADIUS CONTROL
- 4" DEEP BASKET (GRBRC4PG)
 CUSTOMER DRAWING

UNLESS OTHERWISE SPECIFIED,
 DIMENSIONAL TOLERANCES ARE:
 (.X) ± (.XXX) ±
 (.XX) ± .05 (1.3) ANGLES ±

UNLESS OTHERWISE SPECIFIED,
 ALL DIMENSIONS ARE GIVEN IN
 INCHES, THIRD ANGLE PROJECTION.

DRAWN BY: MSO	MAT'L: PRE-GALVANIZED STEEL	SCALE: NONE
DATE: 10-30-07		DRAWING NO.: 39065-73
CHK'D: SABR		DWG SIZE: A

REV	DATE	BY	CHK	DESCRIPTION	ECN	R	CUST	SUP	GMBH
R	10-30-07	MSO	SABR	RELEASED TO PRODUCTION	39065-73	RN	RN		