

DE300 SERIES

Enclosed 300 Watts

ITE & Medical, 300W

California Efficiency

GENERAL SPECIFICATIONS

Line Voltage.....	90VAC to 264VAC
Input Frequency.....	47Hz to 63Hz
No load input power.....	<0.5W
Inrush Current (cold).....	less then 30A at 115VAC or 60A at 230VAC
Operating Temperature.....	-20°C to 65°C
Storage Temperature.....	-20°C to 85°C
Cooling.....	Free Air Convection 300W 24CFM forced air
Efficiency.....	89% - 91%
Holdup Time.....	20ms at 115VAC
Oversoltage Type.....	latch off
Overload Protection.....	Auto recovery Within 150% rated load

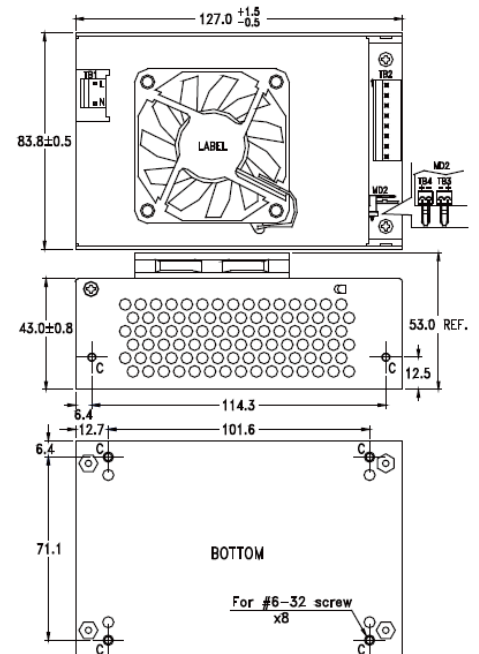
Safety:

Designed in full compliance with.....	UL 60950-1 EN60950-1 ANSI/AAMI ES60601-1 EN60601-1
EMI.....	FCC class B EN61000-3-3
EMS.....	EN61000-4-2,-3,-4,-5,-6,-11

MECHANICAL SPECIFICATIONS

Note:

- 1.Dimension in mm Tolerance: +/-1mm
- 2.Size: 3"x 5" x 2.08"
- 3.Connector:
AC Input: Molex 5277-02A or equivalent
DC Output: Molex 5273-08A or equivalent
Fan, RS: Molex 5045-02A or equivalent



DESCRIPTION

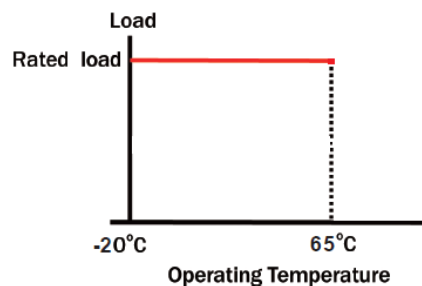
The DE300 Series is a 300 Watt Enclosed power supply that is 3"x 5"x 2.08" providing 9.6 Watts per cubic inch. Each unit has a built in Active Power Factor Correction and the efficiency of this series is between 89% to 91% depending on model. The DE300 has a built-in forced air cooling and each series has Molex input and output.

FEATURES

- High Efficiency
- Active PFC
- Single Output
- Universal input 90VAC to 264VAC

APPLICATIONS

- IT Applications
- Medical Applications
- Telecommunications
- Test Instrumentation Product
- Data Acquisition
- Other Applications



OUTPUT SPECIFICATIONS

Model	Watts	Voltage (Vdc)	Load (A)			Voltage Tolerance	Ripple & Noise Pk to Pk	Regulation	
			Min.	Rate	Max			Line	Load
DE300-7	300	+12V	0	25	-	+11.9V~+12.1V	120mVpp	±1%	±1%
DE300-8	300	+15V	0	18	-	+14.9V~+15.1V	150mVpp	±1%	±1%
DE300-3	300	+18V	0	16.6	-	+17.9V~+18.1V	180mVpp	±1%	±1%
DE300-9	300	+24V	0	12.5	-	+23.9V~+24.1V	200mVpp	±1%	±1%
DE300-G	300	+28V	0	10.7	-	+27.9V~+28.1V	250mVpp	±1%	±1%
DE300-J	300	+36V	0	8.3	-	+35.9V~+36.2V	250mVpp	±1%	±1%
DE300-14	300	+48V	0	6.3	-	+47.9V~+48.2V	250mVpp	±1%	±1%

Note: Contact factory for Safety Agency Approved status.

1. Each output can provide up to peak load temporarily. Continuous operation at greater than rated load is not allowed.
2. At factory, in 60% rated load condition, each output is checked to be within voltage accuracy.
3. Line regulation is defined by changing $\pm 10\%$ of input voltage from nominal line at rated load.
4. Load regulation is defined by changing $\pm 40\%$ of measured output load from 60% rated load.
5. The ripple and noise is measured by using 15MHz bandwidth limited oscilloscope. Each output is terminated with a 0.47 μF capacitor at rated load and nominal line.
6. Hold up time is measured from the end of the last charging pulse to the time when the main output drops down to 95% output voltage at rated load and nominal line.
7. Efficiency is measured at rated load.

MEDICAL ISOLATION GRADE

