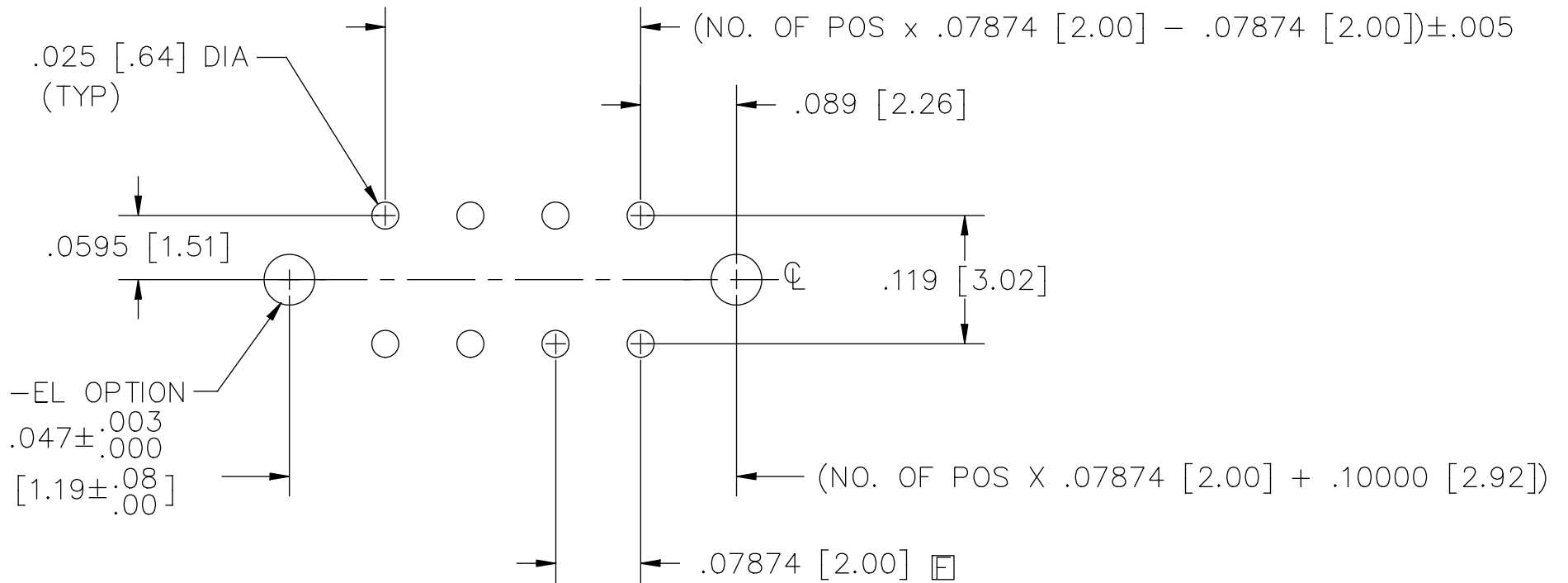


RECOMMENDED P.C. BOARD LAYOUT FOR CLT THRU HOLE (DOUBLE)

REV. F



MISC\MKTG\FOOTPRINT
CLT-THD

samtec

810 PROGRESS BLVD. NEW ALBANY, INDIANA 47150
PHONE (812) 944-6733 P.O. BOX 1147

PLOT SCALE: 1 = .1