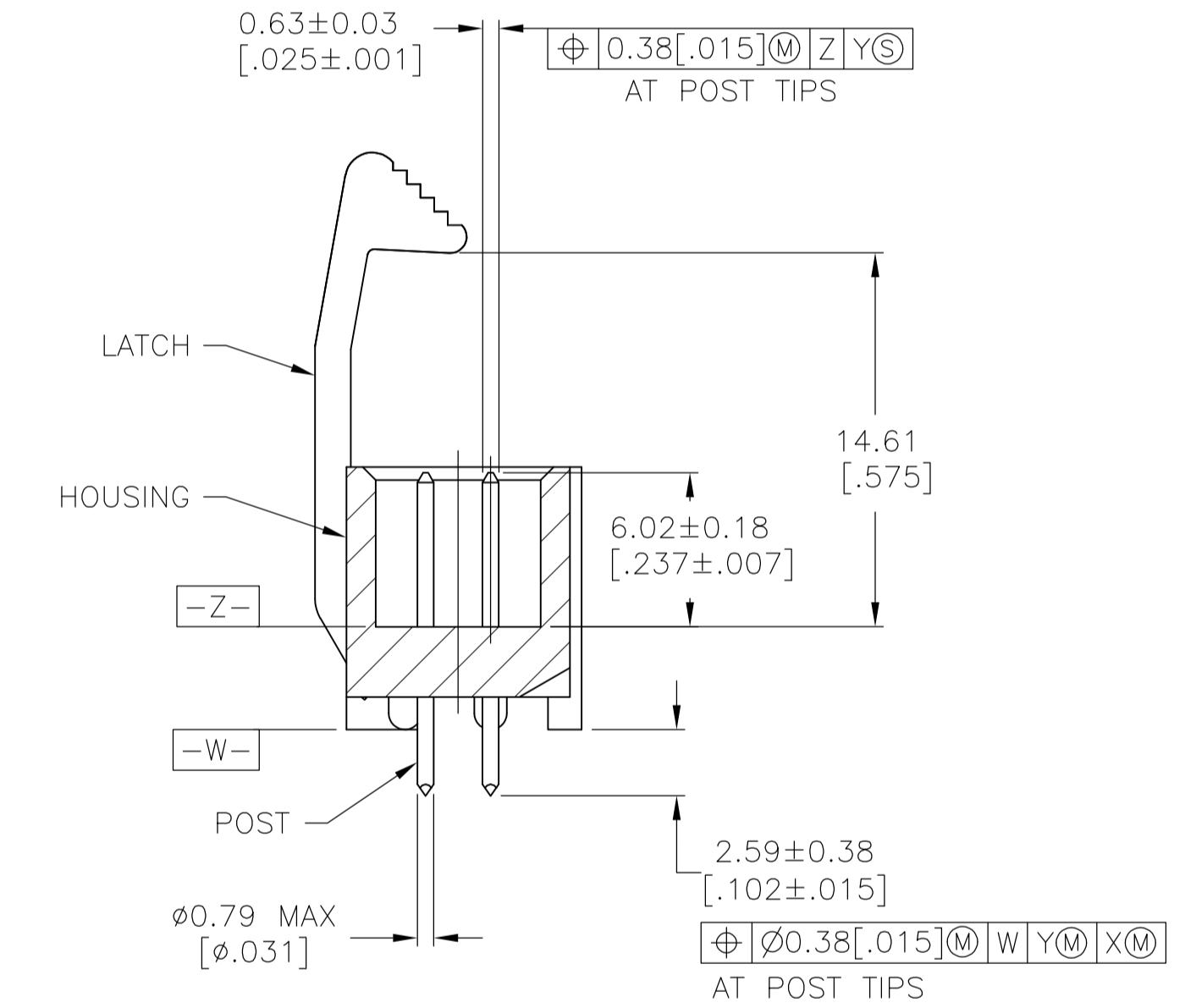
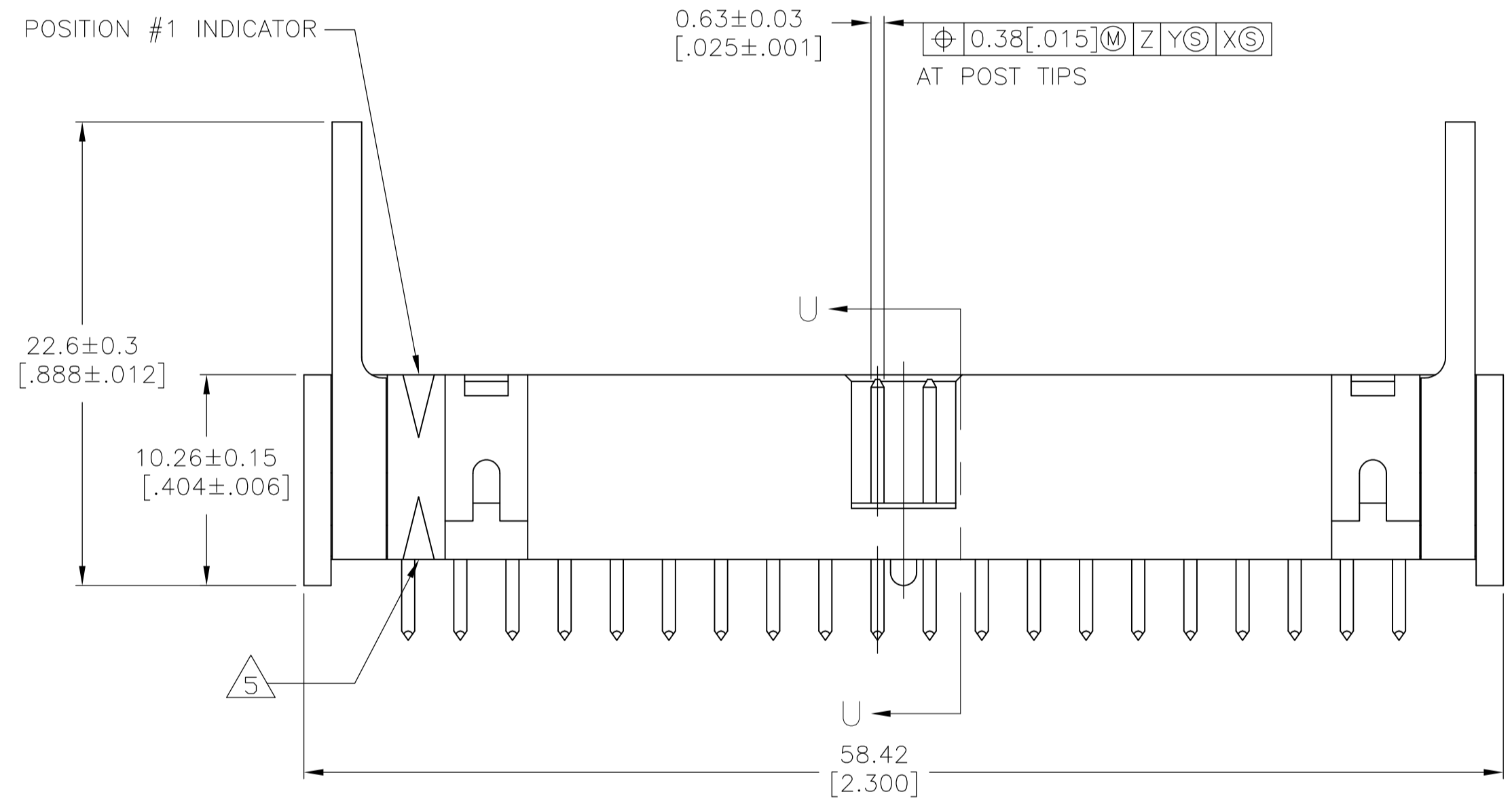
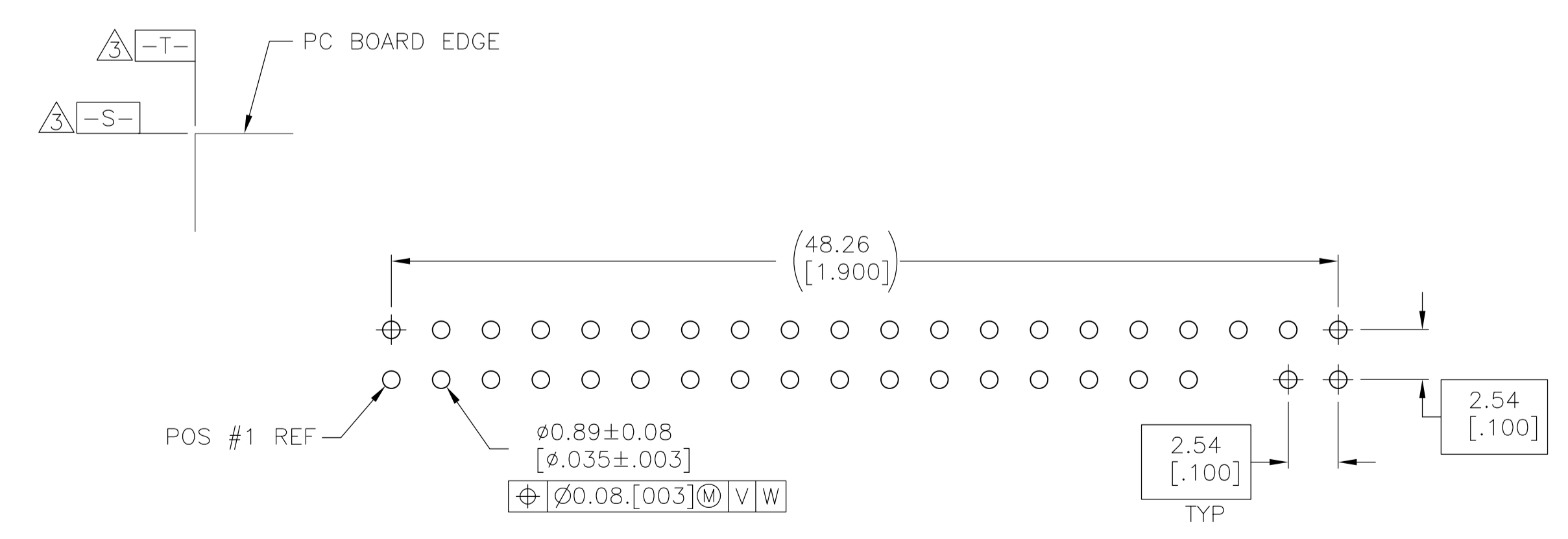


- ① HOUSING: PBT, UL94V-0, COLOR: BLACK.
POSTS: PHOSPHOR BRONZE.
LATCHES: ZINC ALLOY.
- ② POSTS: GOLD FLASH OVER PALLADIUM-NICKEL PLATE, 0.76µm[.000030] MIN TOTAL ON MATING AREA, 2.54µm[.000100] MIN TIN PLATE ON SOLDER-TAIL, ALL OVER 1.27µm[.000050] MIN NICKEL UNDERPLATE ON ENTIRE POST.
OR
0.76µm[.000030] MIN GOLD PLATE ON MATING AREA, 2.54µm[.000100] MIN TIN PLATE ON THE SOLDER-TAIL, 1.27µm[.000050] MIN NICKEL UNDERPLATE ON THE ENTIRE POST.
LATCHES: BLACK NICKEL OVER COPPER.
- ③ DATUMS S & T TO BE ESTABLISHED BY CUSTOMER.
- ④ PIN 35 OMITTED.
- ⑤ ALTERNATE LOCATION/ORIENTATION FOR POSITION #1 INDICATOR.



SECTION U-U



RECOMMENDED PC BOARD LAYOUT
(VIEWED FROM CONNECTOR SIDE)

2132245-1
PART NUMBER

THIS DRAWING IS A CONTROLLED DOCUMENT.		DIN C. ROHLER 10DEC09	Tyco Electronics Corporation Harrisburg, PA 17105-3608	
DIMENSIONS: mm [INCHES]		CHK S. BOLASH 10DEC09	NAME Tyco Electronics	
TOLERANCES UNLESS OTHERWISE SPECIFIED:		APVD S. BOLASH 10DEC09	PRODUCT SPEC 108-40018	
0 PLC ± -	1 PLC ± -	APPLICATION SPEC		
2 PLC ± -	3 PLC ± 0.13[.005]	SIZE A1	CAGE CODE 00779	DRAWING NO. 2132245
4 PLC ± -	ANGLES ± -	WEIGHT -	RESTRICTED TO -	CUSTOMER DRAWING
MATERIAL		SCALE 4:1		SHEET 1 OF 1
FINISH		REV A		