

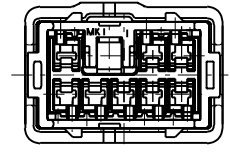
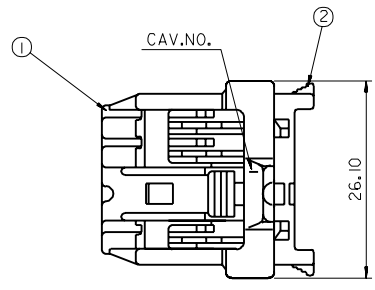
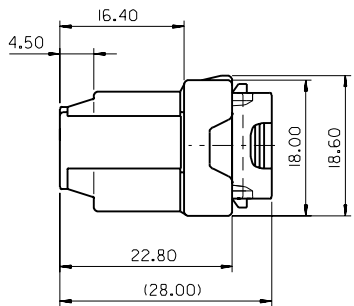
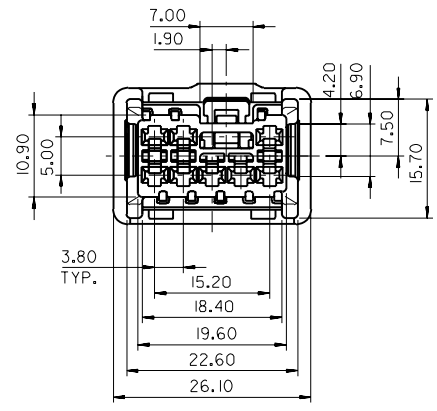
DO NOT SCALE DRAWING DIMENSION IN METRIC

PROJECT NO. SIMILAR ITEM DMC:US SD-35284-0810

A B C D E

H G F

	PART NO.	PART NAME	MATERIAL
①	35284-0890	UNICONN FEMALE HOUSING-8P	PBT,NATURAL
②	35285-0881	UNICONN FEMALE TPA-8P	PBT,BLACK



352840810	35284-0810	B	REV	UNICONN FEMALE HOUSING-8P	MOLEX INCORPORATED	SD 35284-0810	1/1	SIZE C
MATERIAL NO.		ENG. NO.		DESCRIPTION		CAD FILENAME		SIZE
						SD352840810.DGN		C
REVISIONS: 1. 09/11/17 W.Y. YANG 2. 09/11/17 B.K. CHOI 3. 09/11/17 C.W. LEE				QUALITY SYMBOLS: MAJOR CRITICAL	GENERAL TOLERANCES: (UNLESS SPECIFIED) DIM INCH DIM IN MM 4 PLACES .00 ± .01 3 PLACES .01 ± .02 2 PLACES .02 ± .03 1 PLACE .03 ± .04 ANGULAR ± 1.0 °	SCALE: 1:1 DESIGN UNITS: DIM INCH DIM IN MM DRAWN BY & DATE: W.Y. YANG, 97/11/17 CHECKED BY & DATE: B.K. CHOI, 97/11/17 APPROVED BY & DATE: C.W. LEE, 97/11/17	THRD ANGLE PROJECTION: 30° 1ST ANGLE DIMENSIONS: DIM INCH DIM IN MM DIM ONLY TITLE: UNICONN FEMALE ASS'Y-8P MOLEX INCORPORATED	SHEET NO.: 1/1 REVISE ON CAD ONLY

MX-A2