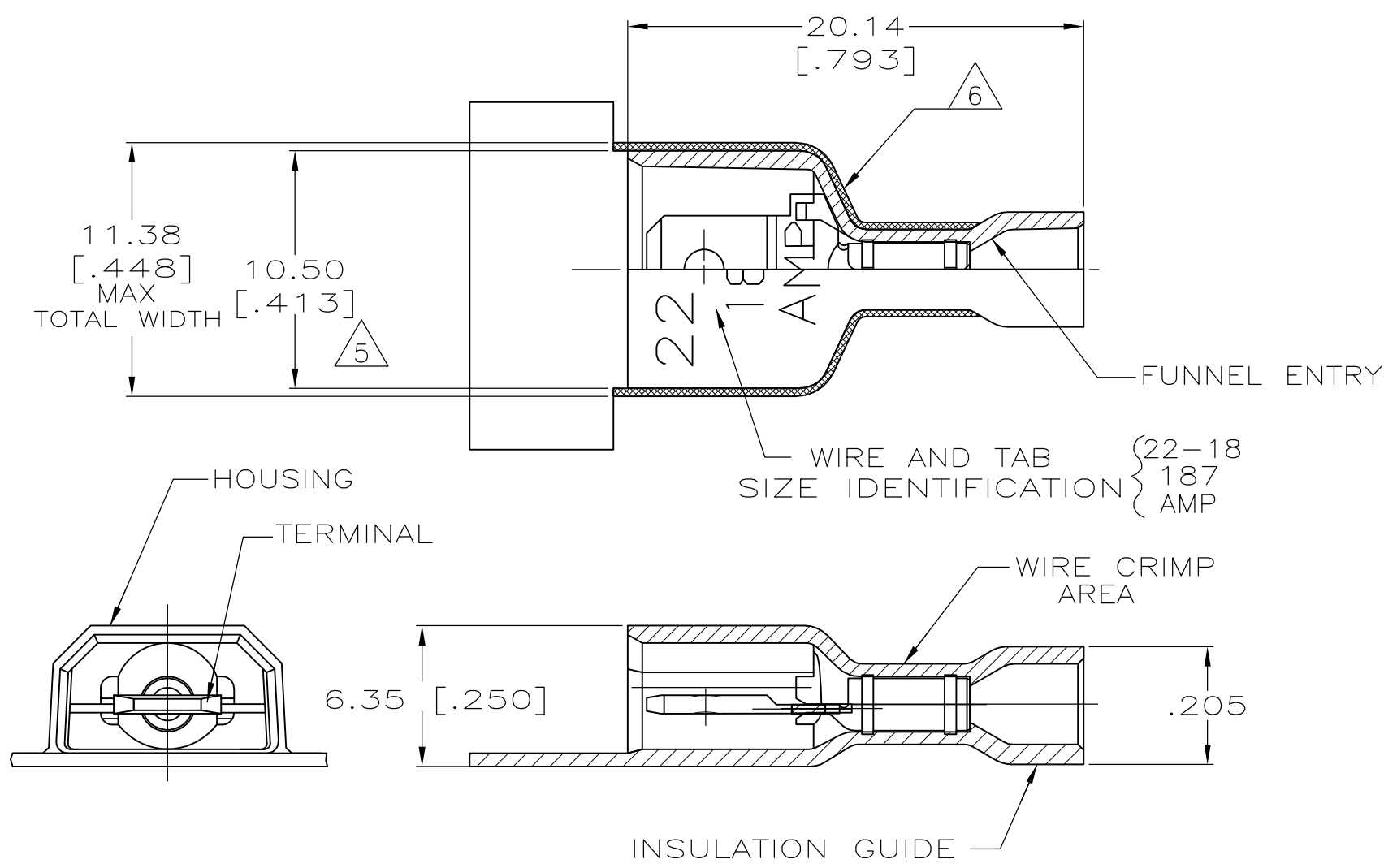


LOC	DIST	REVISIONS					
AF	50	P	LTR	DESCRIPTION	DATE	DWN	APVD
		E		REVISED PER ECR-12-005303	24JUL12	KH	KR



- 1 TAB DIMENSIONS  $.032^{+.001}_{-.002}$  x .187
- 2 WIRE STRIP LENGTH .281
- 3 INSULATION SIZE .135 MAX DIA
- 4 CONTINUOUS STRIP ON REELS
- △5 DIMENSION DOES NOT INCLUDE TRIM BURR
- △6 .015 MAX CARRIER TRIM BURR PER SIDE IS ALLOWABLE IN THE SHADED AREA

HOUSING: NYLON, COLOR-RED TRANSLUCENT TAB: #3 HARD BRASS, TIN	2-521104-2
MATERIAL & FINISH	PART NO

THIS DRAWING IS A CONTROLLED DOCUMENT.		DWN	JR RUTH	9/25/95	TE Connectivity TAB ASSEMBLY, ULTRA-FAST, 4.75 [.187] SERIES, 22-18 AWG										
DIMENSIONS: mm[INCHES]		CHK	MS FEHER	9/25/95											
		APVD	J WORMAN	9/25/95											
TOLERANCES UNLESS OTHERWISE SPECIFIED:		PRODUCT SPEC	108-2017												
0 PLC ± - 1 PLC ± - 2 PLC ± 0.38 [.015] 3 PLC ± - 4 PLC ± - ANGLES ± -		APPLICATION SPEC	114-2123		NAME										
MATERIAL	SEE TABLE	FINISH	SEE TABLE	WEIGHT	-	SIZE	A3	CAGE CODE	00779	DRAWING NO	C-521104	RESTRICTED TO	-		
CUSTOMER DRAWING										SCALE	4:1	SHEET	1 of 1	REV	E