

MATERIALS AND FINISHES

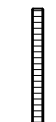
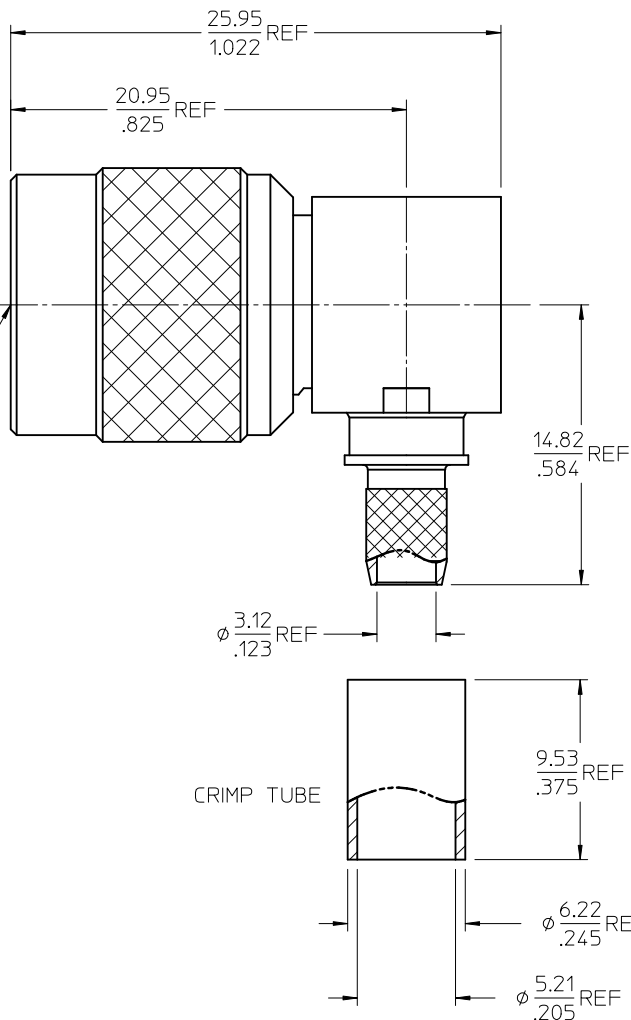
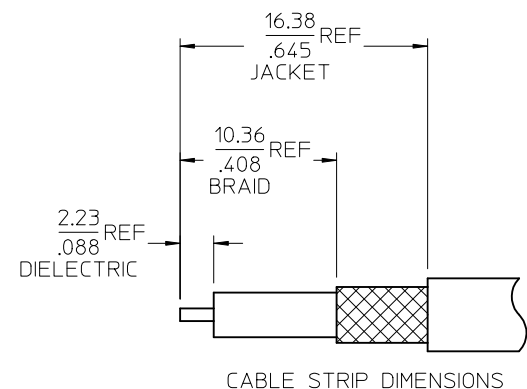
BODY, CRIMP TUBE, CAP,
SLEEVE, COUPLING NUT: BRASS
PLATED NICKEL

CENTER CONTACT BRASS
PLATED GOLD

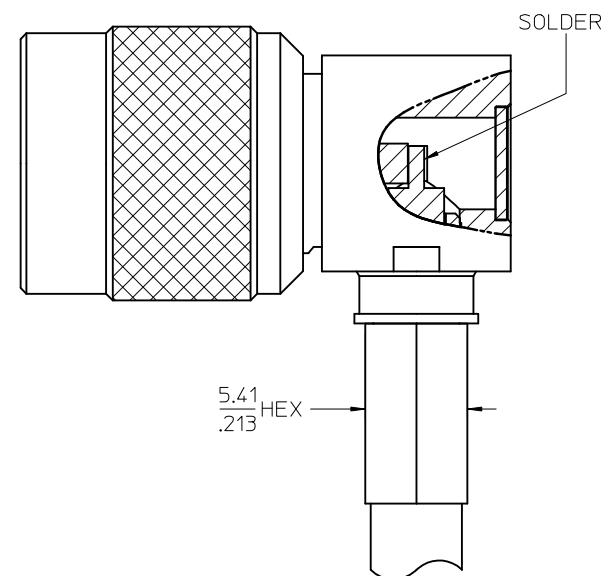
INSULATOR TEFLON

GASKET SILICONE RUBBER

TNC PLUG
INTERFACE



CAP



NOTE: 73216-0050 IS
SAME AS 73216-1510

73216-0051	ONE PER BAG
73216-0050	STANDARD
PART NO.	PACKAGING

PS-89675-1400	ELECTRICAL/MECHANICAL
SPECIFICATION	DESCRIPTION

CHG: ADD -0051 PS WAS ES-73599-0000-003 EC NO: URF2011-0614 DRWN: WIENER 2011/04/19 CHKD: SSS 2011/04/19 APPR: WIENER 2011/04/20 REV: A3	QUALITY SYMBOLS ▽=0 ▽=0	GENERAL TOLERANCES (UNLESS SPECIFIED) 4 PLACES ± --- ± --- 3 PLACES ± --- ± --- 2 PLACES ± --- ± --- 1 PLACE ± --- ± --- ANGULAR ± 2°	DIMENSION STYLE MM/IN DRAWN BY DATE AZR 2008/10/15 CHECKED BY DATE SSS 2008/10/15 APPROVED BY DATE JDW 2008/10/15	SCALE DESIGN UNITS METRIC THIRD ANGLE PROJECTION	TITLE TNC PLUG, R/A, 50 OHM FOR RG58, 141, 303 EWR-2717, TNC-PC	MATERIAL NO. SEE TABLE SIZE C	DOCUMENT NO. SD-73216-005 MOLEX INCORPORATED	SHEET NO. 1 OF 1
	DRAFT WHERE APPLICABLE MUST REMAIN WITHIN DIMENSIONS							
	THIS DRAWING CONTAINS INFORMATION THAT IS PROPRIETARY TO MOLEX INCORPORATED AND SHOULD NOT BE USED WITHOUT WRITTEN PERMISSION							
	A3							