

SUMMARY

Wires

Low	0
High	0
Coax	0
Triax	1
Quad	0
Fiber	0
Fluidic	0



Image is for illustrative purpose only

Download

[Request a quote](#)

[Catalog](#)

Series

Termination type	Male solder
IP rating	68
Cable Ø	3.10 - 3.50 mm
Matching parts	ERA.0E.650.CTL
Status	
Alternative part	

TECHNICAL DETAILS

Mechanics

Shell Style/Model	FFA*: Straight plug, cable collet and nut for fitting a bend relief
Keying	Circular (can rotate), plug has male contact(s)
Housing Material	Brass (chrome plated) shell and collet nut, nickel plated brass latch sleeve and mid pieces
Cable Fixing	∅ 3.1 - 3.5 mm
Variant	Z : Nut for fitting a bend relief

Performance

Configuration	0E.650 : 1 Triax (50 Ohm)
Insulator	T: PTFE
Rated Current	6 Amps

Specifications

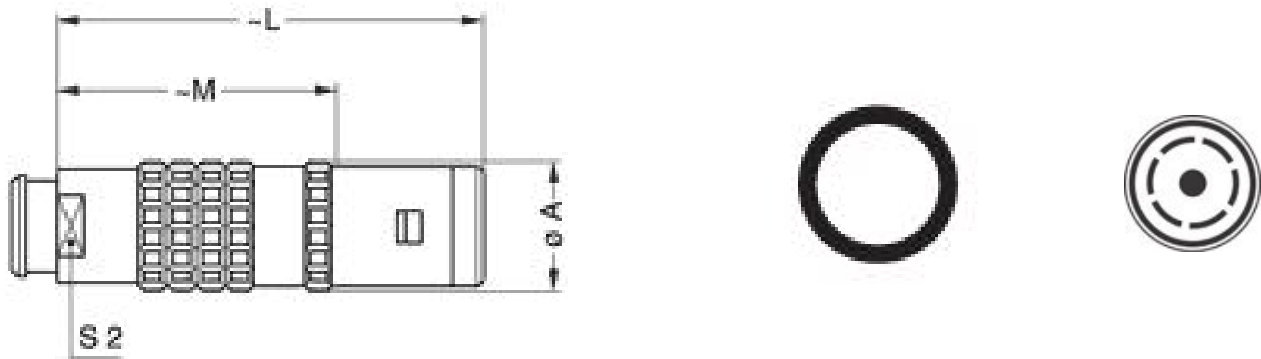
Contact Type:	Solder
Vtest:	1200 V (AC), 1690 V (DC)
Impedance:	50 Ohm
VSWR:	1.03 + 0.34 * f /GHz
Cable type:	RGT 178, RGT 174

Others

Humidity (max): $\leq 95\%$ [at 60 deg C / 140 F]
Vibration: 15 g [10 Hz - 2000 Hz]
Shock Resistance: 100 g [6 ms]
Salt Spray Corrosion: >1000 hr
Climatical Category: 50/175/21
Shielding (min): 95 dB (10 MHz)
Shielding (min): 80 dB (1 GHz)
IP Rating: 68

DRAWINGS

Draws



Dimensions

	A	L	M	S2
mm.	11	34	23	7
in.	0,43	1,34	0,91	0,28

RECOMMENDED BY LEMO

Tools

Spanner wrench: DCD.0E.007.PA070
Caps: BFA.0E.100.NAS

Cables