

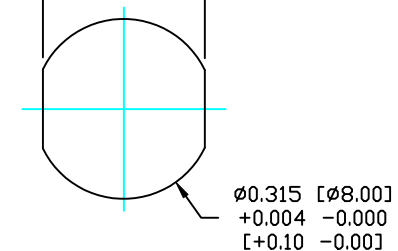
DESCRIPTION: M8 FEMALE - PANEL MOUNT (FRONT) - SOLDER CUP - 5 POS.

NOTE:

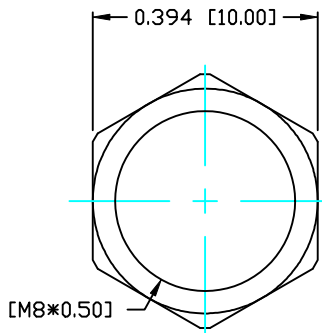
MATERIAL

HOUSING:	PBT UL94V-0, BLACK
CONTACT:	BRASS
SHELL:	BRASS
NUT:	BRASS
O-RING:	EPDM, BLACK
FINISH:	
CONTACT:	GOLD FLASH 10 μ m MIN. OVER 50 μ m NICKEL
SHELL:	NICKEL
NUT:	NICKEL
ELECTRICAL	
RATED CURRENT:	3A
RATED VOLTAGE:	125V
WATER PROOF:	IP67
ENVIRONMENT	
OPERATION TEMPERATURE:	-40°C TO +85°C
WIRE GAUGE:	24-28 AWG

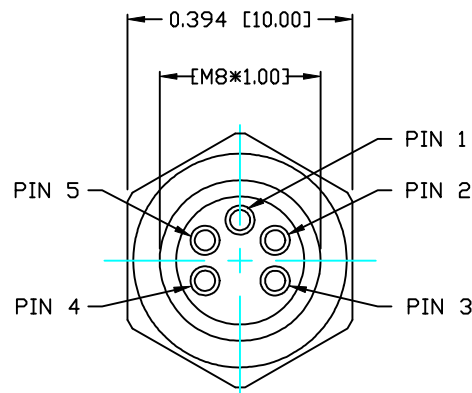
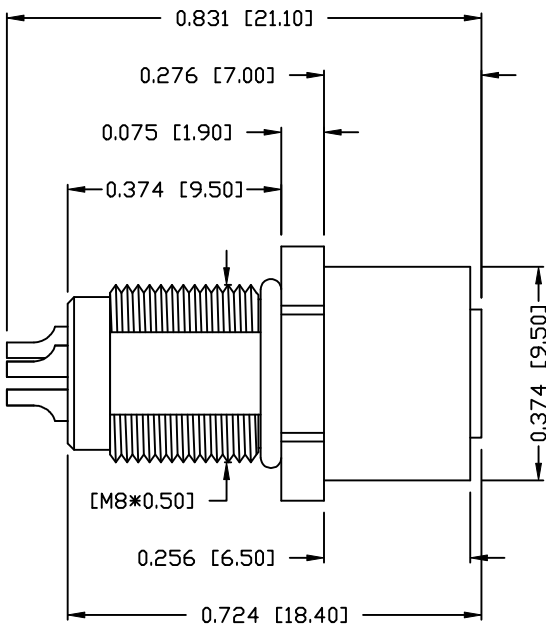
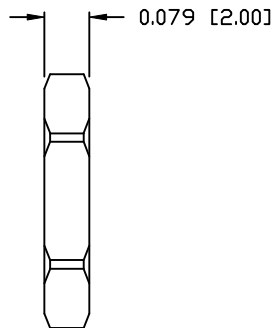
0.284 [7.20]
+0.004 -0.000
[+0.10 -0.00]



PANEL CUTOUT



NUT



RoHS COMPLIANT

DO NOT SCALE FROM DRAWING



THESE DRAWINGS AND SPECIFICATIONS ARE THE PROPERTY OF NorComp AND SHALL NOT BE REPRODUCED, COPIED OR USED AS THE BASIS FOR THE MANUFACTURE OR SALE OF APPARATUS WITHOUT WRITTEN PERMISSION.

DRAWN:
C. SMITH

DATE:
08-21-14

CHECKED:

DATE:

NorComp

SCALE:
N.T.S.

SHEET **1** OF **1**

REV
0

DWG NO.

855-005-203R004