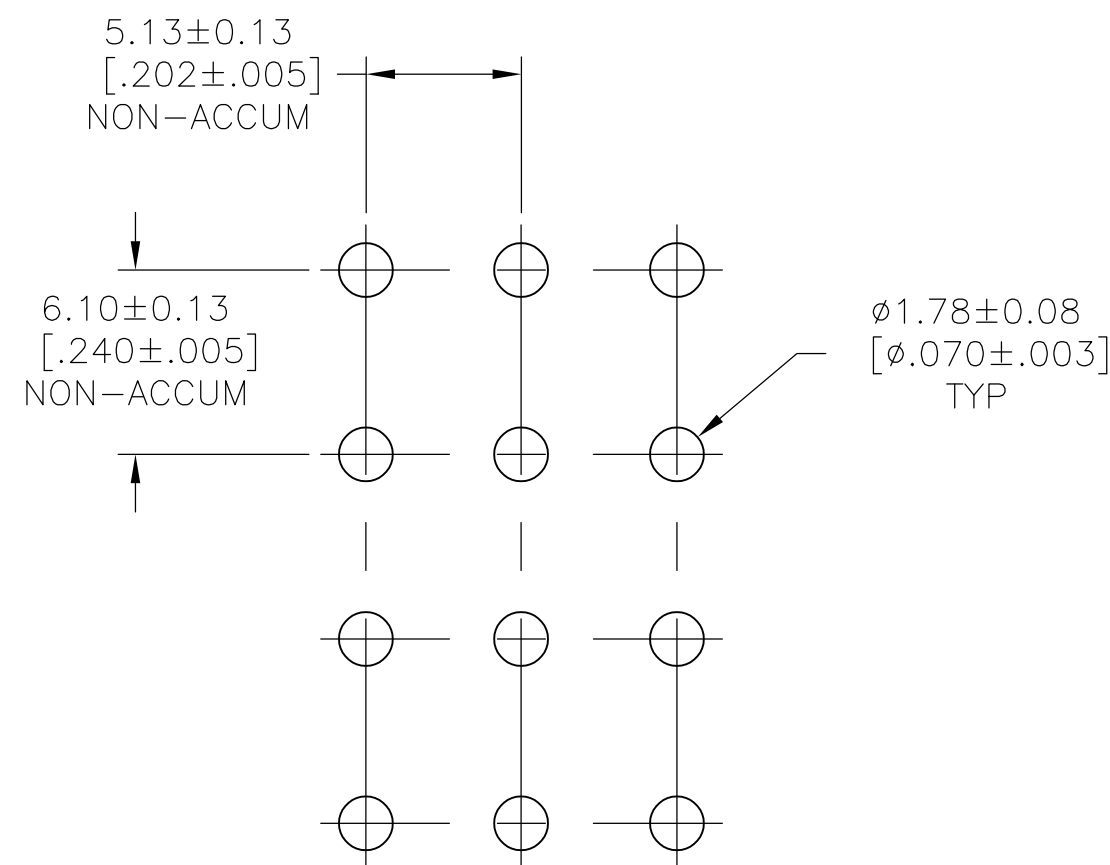
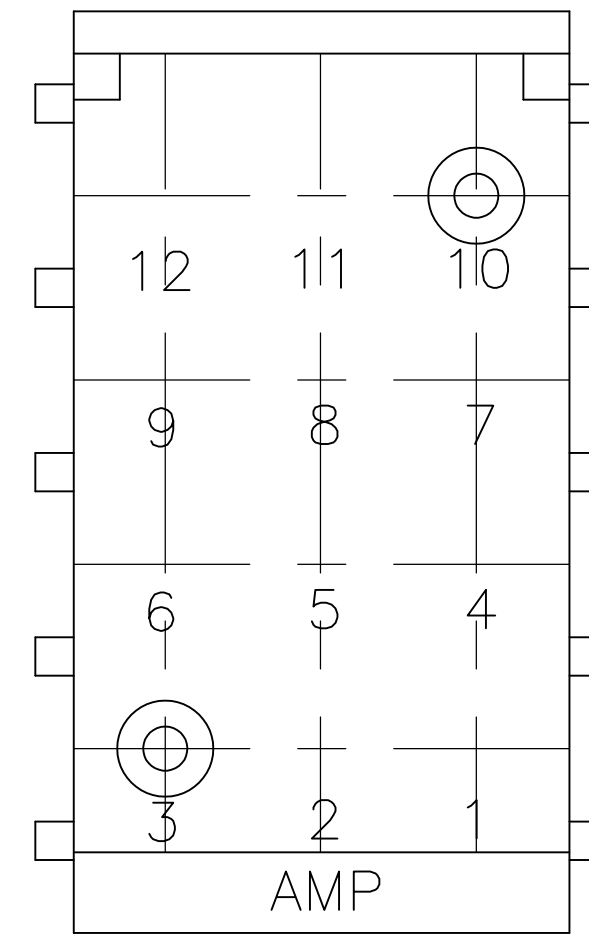
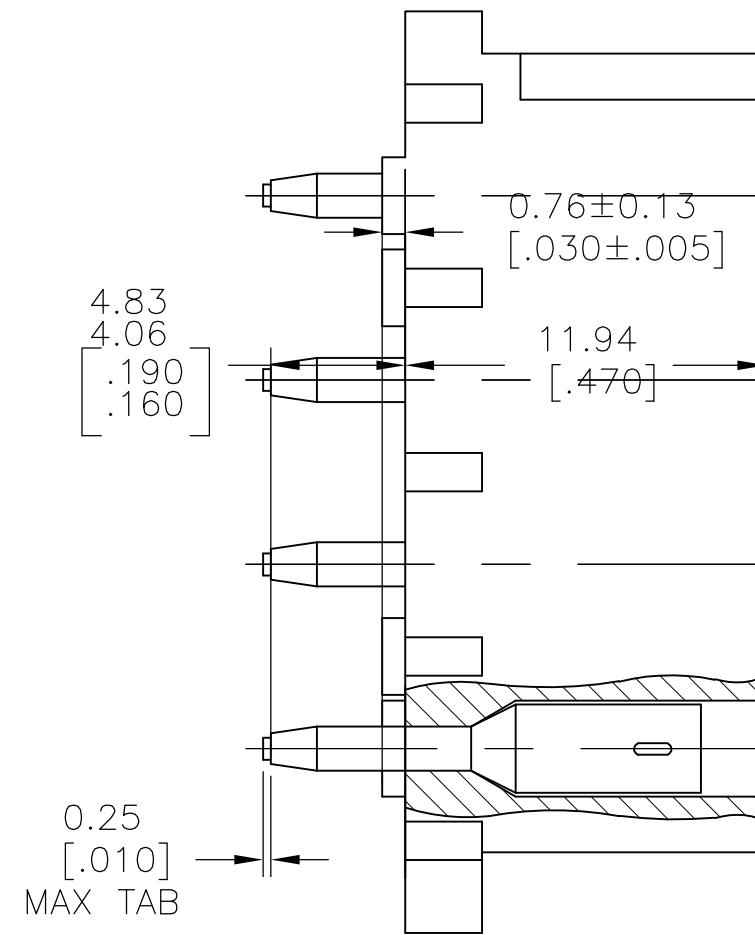
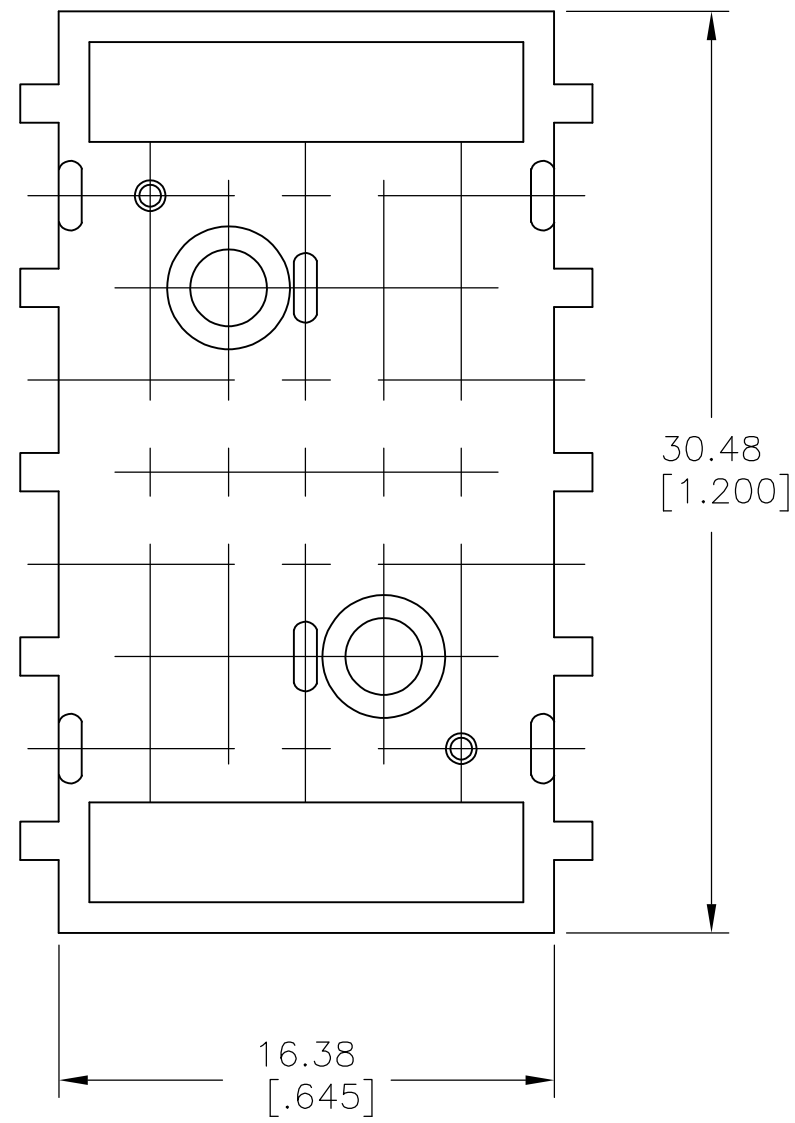


THIS DRAWING IS UNPUBLISHED. RELEASED FOR PUBLICATION  
 © COPYRIGHT BY TYCO ELECTRONICS CORPORATION. ALL INTERNATIONAL RIGHTS RESERVED.

LOC	DIST	REVISIONS			
P	LTR	DESCRIPTION	DATE	DWN	APVD
CM	53	H	REVISED PER ECO-09-018292	10AUG09	HMR MS

- 1 MATES WITH HOUSING 480278
- 2 PARTS COMPLY WITH AMP SOLDERABILITY SPEC #109-11-3



RECOMMENDED LAYOUT FOR  
 1.57 [.062] THICK P.C. BOARD

PHOS BRZ-PRE TIN	NYLON-BLACK	9-350643-1
PHOS BRZ-PRE TIN	NYLON-NATURAL	350643-1
PIN MATL & FINISH	HSG MATL & COLOR	ASSEMBLY NO

THIS DRAWING IS A CONTROLLED DOCUMENT.		DWN 10AUG2009 RAGHAVENDRA	Tyco Electronics Corporation Harrisburg, PA 17105-3608	
DIMENSIONS: mm [INCHES]		CHK 10AUG2009 SARVER MICHAEL	NAME 12 CIRCUIT MATE-N-LOK P.C BOARD SOCKET HEADER	
TOLERANCES UNLESS OTHERWISE SPECIFIED:		APVD 10AUG2009 SARVER MICHAEL	PRODUCT SPEC	SIZE CAGE CODE DRAWING NO A2 00779 C=350643
0 PLC ± -		APPLICATION SPEC	RESTRICTED TO	
1 PLC ± -		WEIGHT -	SCALE 4:1	SHEET 1 OF 1
2 PLC ± -		CUSTOMER DRAWING	REV H	
3 PLC ± 0.38 [.015]				
4 PLC ± -				
ANGLES ± 1° 0'				
MATERIAL SEE TABLE	FINISH SEE TABLE			