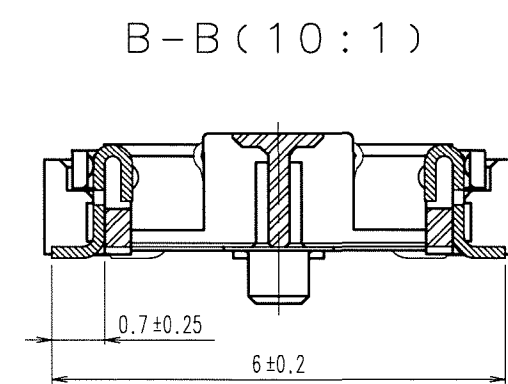
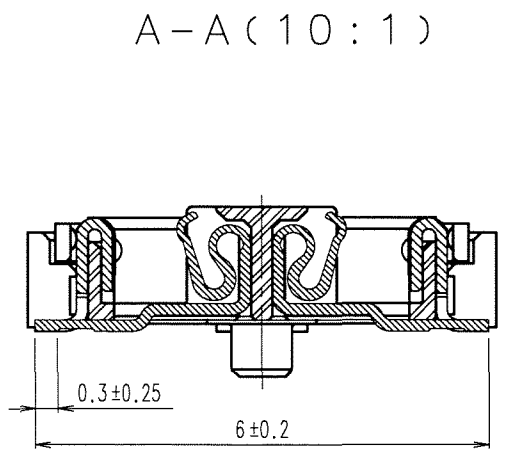
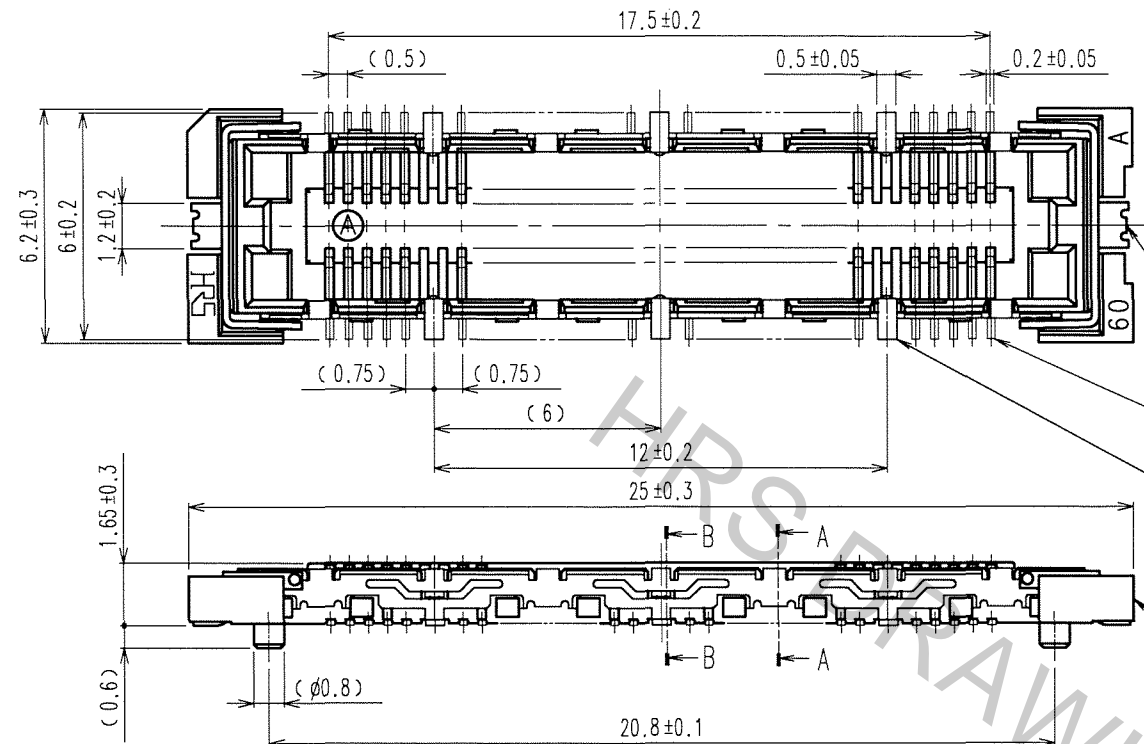
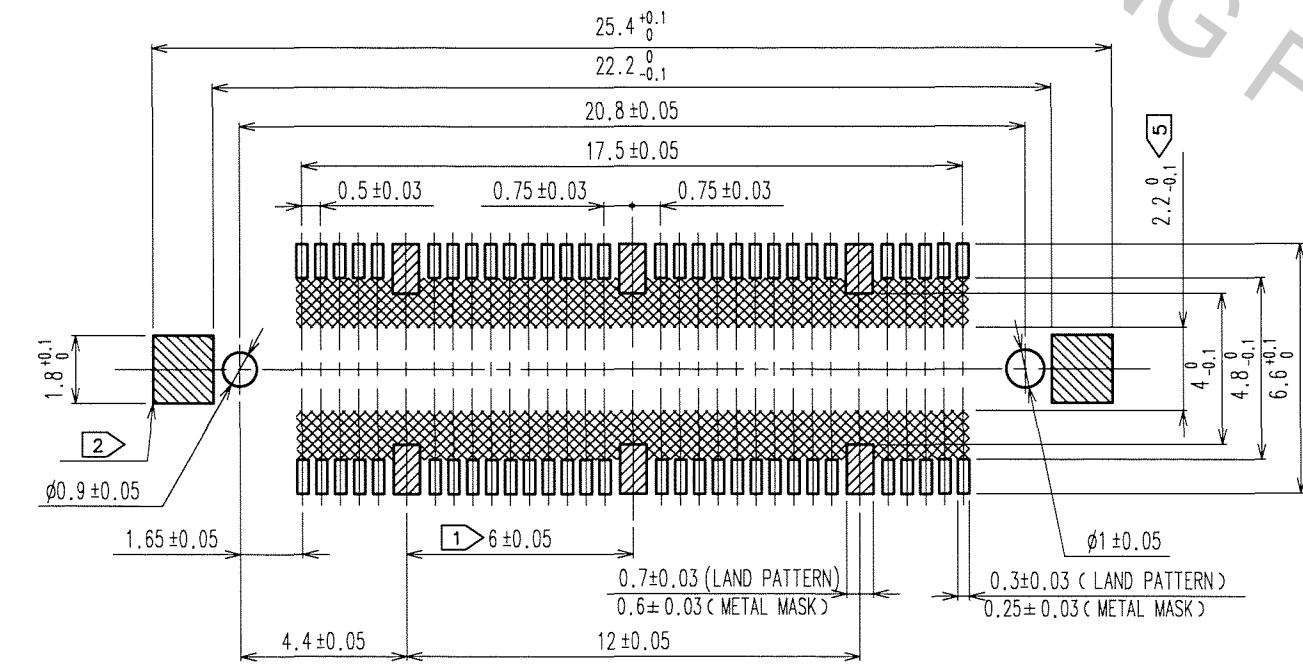


Apr.1.2017 Copyright 2017 HIROSE ELECTRIC CO., LTD. All Rights Reserved.

COUNT	DESCRIPTION OF REVISIONS	BY	CHKD	DATE	COUNT	DESCRIPTION OF REVISIONS	BY	CHKD	DATE



RECOMMENDED LAND PATTERN DIMENSION OF PCB



- NOTES
- 1 6 HATCHED PARTS:GROUND CIRCUIT.
 - 2 2 HATCHED PARTA:GROUND CIRCUIT.
 - 3 SMT LEAD-COPLANARITY:0.1 MAX.
 - 4 THIS PRODUCT HAS NO POLARITY TO PATTERN FOR MOUNTING.
 - 5 MAKE SURE WIDTH OF PATTERN IS WITHIN THAT OF LAND ,OR LEAD MAY TOUCH PATTERN.(THIS APPLIES TO HATCHED AREA.)
 - 6 TO BE EMBOSSED CARRIER TAPED AS SPECIFIED IN SHEET 2.
 - 7 THE DIMENSIONS IN PARENTHESES ARE FOR REFERENCE.

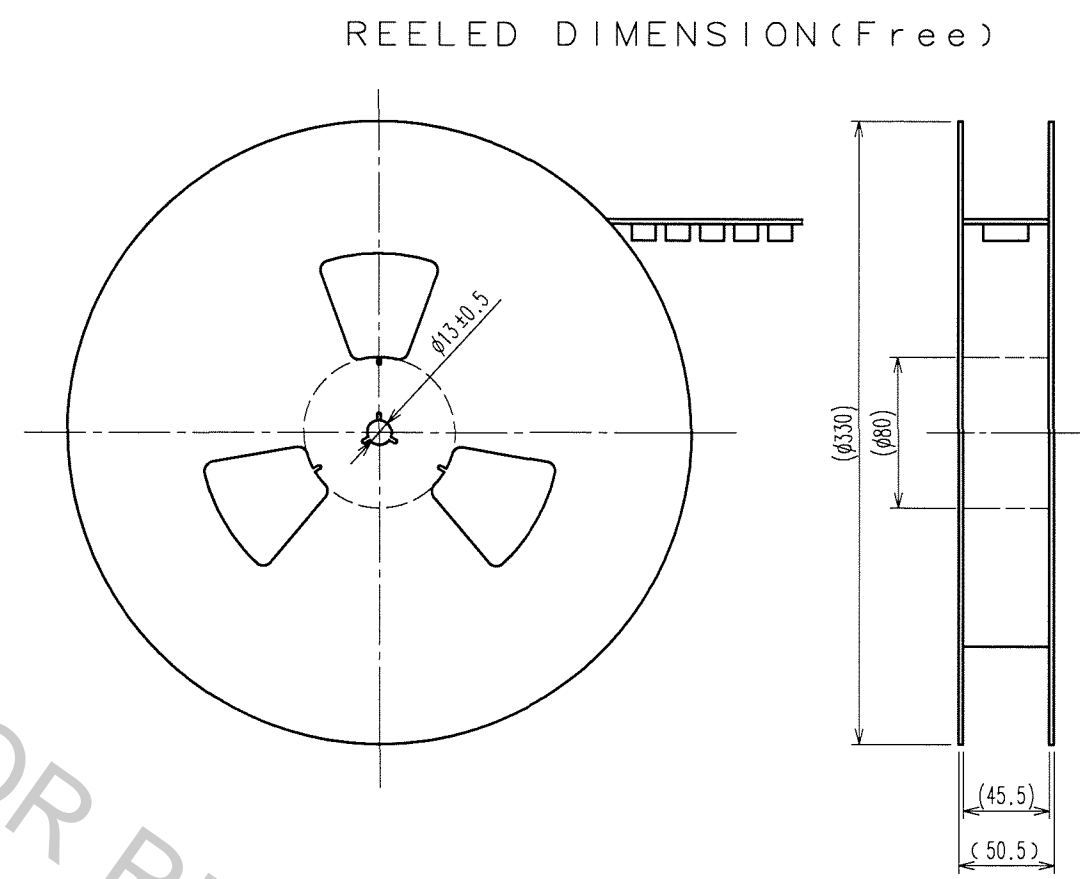
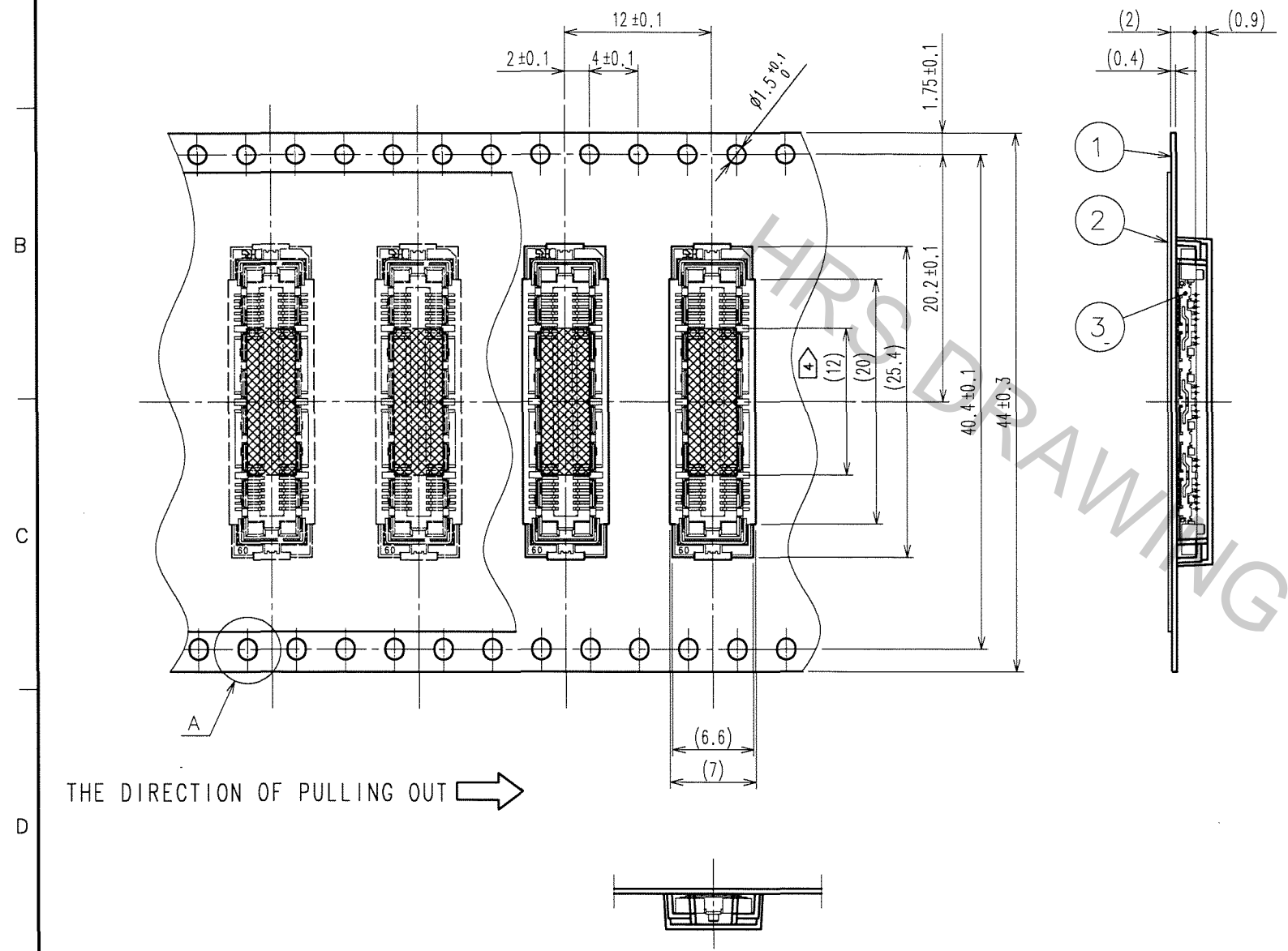
TO
PCK

4	PHOSPHOR BRONZE	TIN-PLATING							CONTACT AREA: GOLD 0.1μm min.
3	PHOSPHOR BRONZE	TIN-PLATING		2	PHOSPHOR BRONZE				LEAD AREA: GOLD FLASH
1	LCP	BEIGE UL94V-0							UNDER PLATING: NICKEL 1μm min.
NO.	MATERIAL	FINISH, REMARKS	NO.	MATERIAL	FINISH, REMARKS				

CODE NO. (OLD) CL	DRAWN A. SUZUKAWA 06.09.28	DESIGNED <i>M. Nakamura</i> 06.09.28	CHECKED <i>K. Ozawa</i> 06.09.29	APPROVED <i>H. Okawa</i> 06.09.30	RELEASED
SCALE 5 : 1	DRAWING NO. EDC3-152108-22		PART NO. FX11LA-60S/6-SV(92)		
UNITS mm	HIROSE ELECTRIC CO.,LTD.		CODE NO. CL573-0102-1-92		1/2

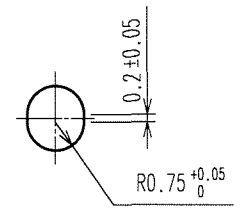
Apr.1.2017 Copyright 2017 HIROSE ELECTRIC CO., LTD. All Rights Reserved.

COUNT	DESCRIPTION OF REVISIONS	BY	CHKD	DATE	COUNT	DESCRIPTION OF REVISIONS	BY	CHKD	DATE

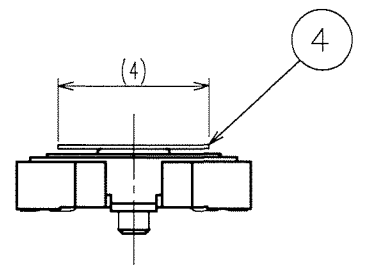


THE DIRECTION OF PULLING OUT →

A (5:1)



DETAIL FOR TAPE PICKUP (5:1)



NOTES 1 REEL:1000 CONNECTORS.
 2 MINIMUM 10 COMPARTMENTS FROM BOTH REEL ENDS REMAIN EMPTY.
 3 THIS PRODUCT HAS NO POLARITY TO TAPE AND REEL PACKAGING.
 4 REMOVE THE VACUUM PICKUP TAPE AFTER MOUNTING THE CONNECTOR.

TO
PCK

2	PET	TOP COVER TAPE	4	POLYIMIDE	(TAP FOR VACUUM PICKUP)
1	PS	EMBOSSD CARRIER TAPE	3	(CONNECTOR)	
NO.	MATERIAL	FINISH, REMARKS	NO.	MATERIAL	FINISH, REMARKS
CODE NO. (OLD) CL		DRAWN A.SUZUKAWA 06.09.28	DESIGNED <i>A. Nakamura</i> 06.09.28	CHECKED <i>A. Gyo-ma</i> 06.09.29	APPROVED <i>H. Okawa</i> 06.09.30
DRAWING NO. EDC3-152108-22		PART NO. FX11LA-60S/6-SV(92)			
SCALE 2:1		UNITS mm		CODE NO. CL573-0102-1-92	
HRS HIROSE ELECTRIC CO., LTD		2			