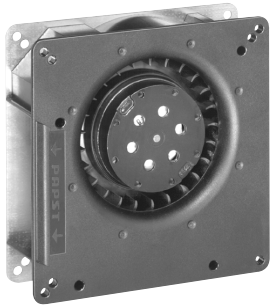


# AC centrifugal compact fan

single-intake



## ebm-papst St. Georgen GmbH & Co. KG

Hermann-Papst-Str. 1  
 D-78112 St. Georgen  
 Phone +49 (0) 7724 81-0  
 Fax +49 (0) 7724 81-1309  
 info2@de.ebmpapst.com  
 www.ebmpapst.com

### Nominal data

Type	RG 90-18/06	
Phase		1~
Nominal voltage	VAC	115
Frequency	Hz	60
Speed (rpm)	min <sup>-1</sup>	1900
Power consumption	W	22.0
Min. ambient temperature	°C	-30
Max. ambient temperature	°C	65
Air flow	m <sup>3</sup> /h	47
Sound power level	B	6.2

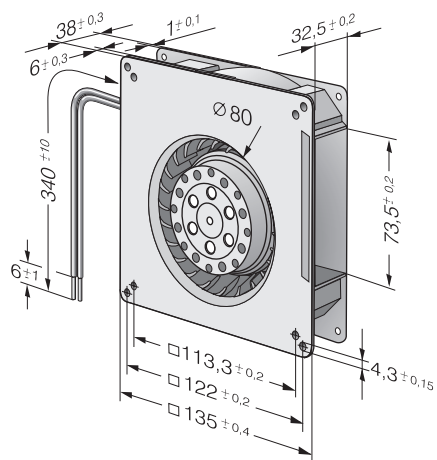
ml = Max. load · me = Max. efficiency · fa = Free air · cs = Customer specification · ce = Customer equipment  
 Subject to change



## Technical description

<b>General description</b>	Forward-curved impeller
<b>Housing material</b>	Scroll housing made of glass-fiber reinforced PBT plastic, housing base made of sheet steel
<b>Weight</b>	0.560 kg
<b>Dimensions</b>	135 x 135 x 38 mm
<b>Impeller material</b>	Glass-fiber reinforced PA plastic
<b>Airflow direction</b>	Radial: discharge through window in housing
<b>Direction of rotation</b>	Clockwise, viewed toward rotor
<b>Storage</b>	Ball bearing
<b>Service life L10 at 40 °C</b>	35000 h
<b>Service life L10 at maximum temperature</b>	20000 h
<b>Cable</b>	2 leads AWG 22
<b>Motor protection</b>	Protected from overload by impedance protection
<b>Approval</b>	VDE, CSA, UL, CE

## Product drawing



**Curves: Air performance**

