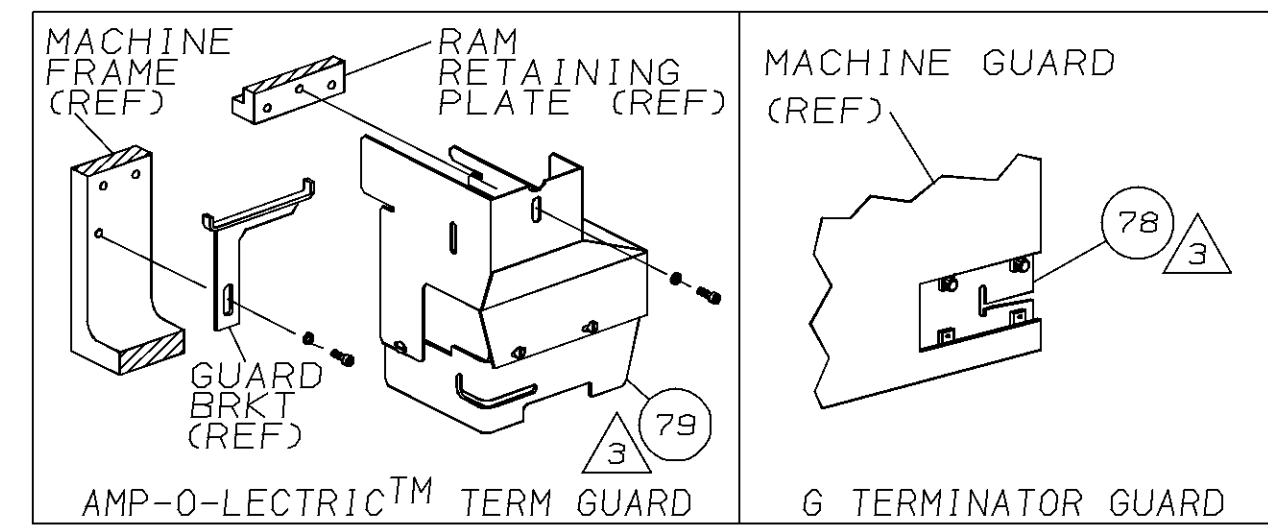
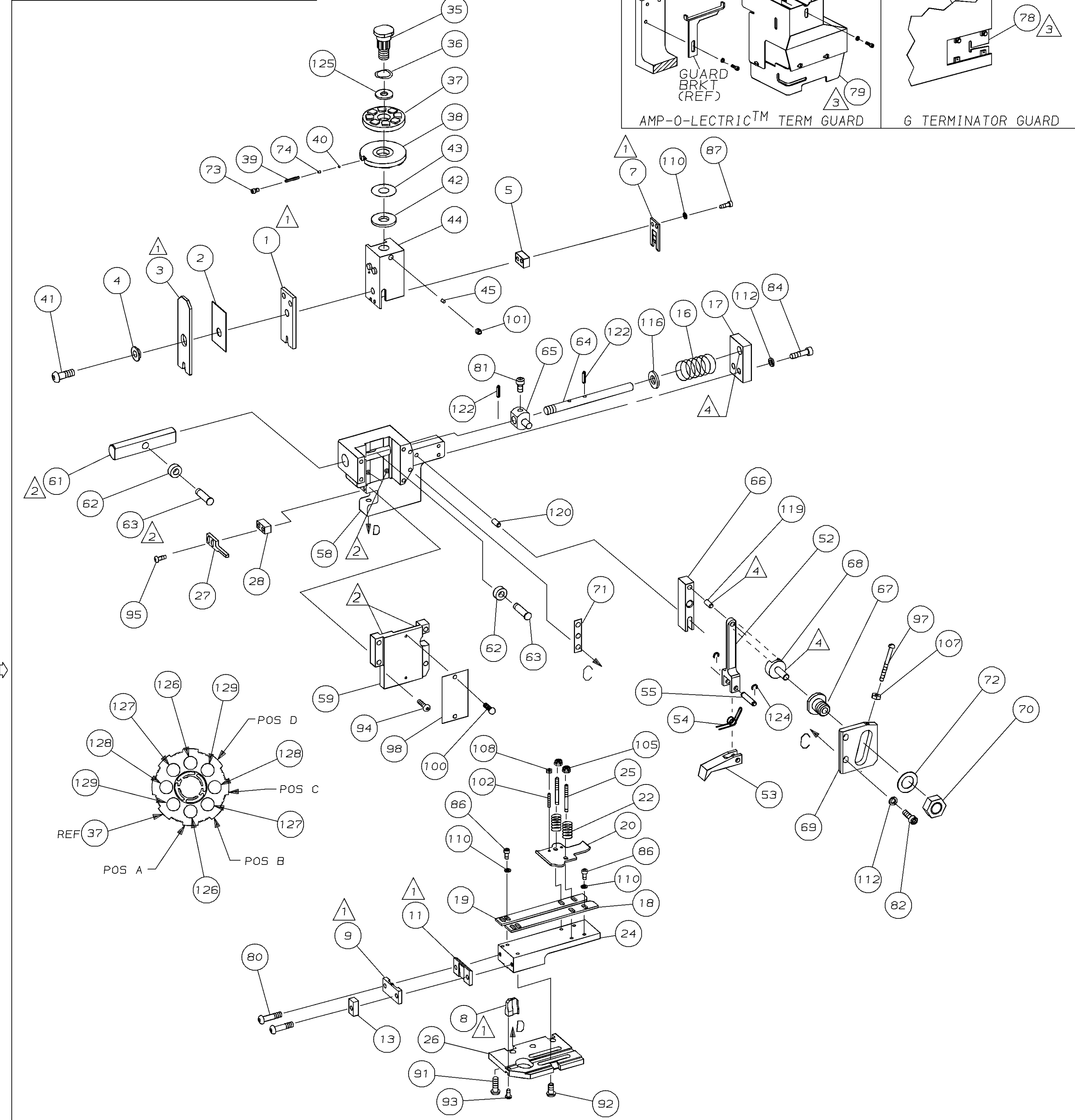


PART NUMBER	REV	FIRST USED
680219-1	A	122500-1
680219-2	A	565435-5

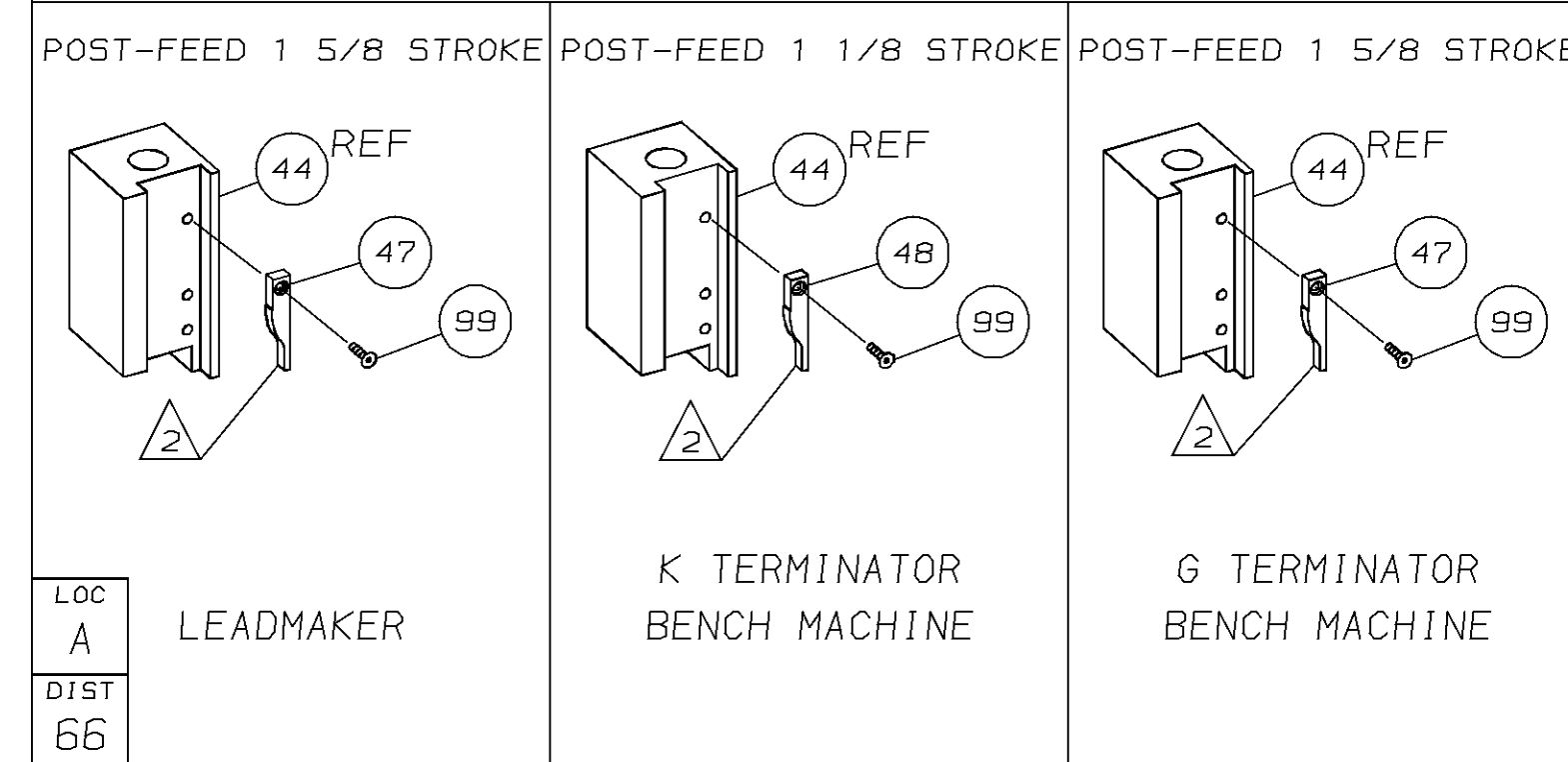


TERMINAL NAME: SQUARE TONGUE W/INSULATION SUPPORT			
CRIMPING DATA			
PAD LTR	CRIMP HEIGHT	WIRE SIZE	
A	.102 ±.002 [2.59 ±0.05mm]	2.5mm <sup>2</sup>	
B	.092 ±.002 [2.34 ±0.05mm]	1.5mm <sup>2</sup>	
C	.088 ±.002 [2.24 ±0.05mm]	1mm <sup>2</sup>	
D	.085 ±.002 [2.16 ±0.05mm]	0.75mm <sup>2</sup>	
CRIMP	SIZE	TYPE	RANGE
WIRE	.140 [3.56mm]	F	0.75mm <sup>2</sup> - 2.5mm <sup>2</sup>
INSUL	.180 [4.57mm]	F	∅4mm MAX
WIRE STRIP LENGTH	TERM APPL SPEC	FEED	APPL INSTRUCTION
-	114-2084 114-2089	.855	408-8039
			SET UP GAGE LAYOUT 458638-1 L1691

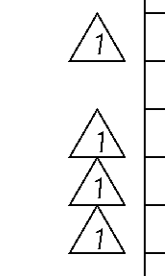
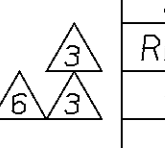
LEADMAKER & BENCH MODEL G		MECH POST FEED		
BENCH MODEL K		MECH POST FEED		
REF	REF	-	A	22594-8 NUT, HEX 70
REF	REF	-	B	240628-1 PLATE, ADJ 69
REF	REF	-	B	240626-1 SHAFT, PIVOT 68
REF	REF	-	B	240633-1 BUSHING 67
REF	REF	-	A	455680-1 LEVER, INTERMEDIATE 66
REF	REF	-	B	240629-1 BLOCK, PIVOT 65
REF	REF	-	A	240632-2 SCR, ADJ 64
REF	REF	-	B	240659-3 PIN, CAM ROLLER 63
REF	REF	-	B	240658-1 CAM, ROLLER 62
REF	REF	-	B	454398-1 ROD, FEED 61
				60
REF	REF	-	C	454220-1 CAP, RAM 59
REF	REF	-	D	453736-1 HOUSING 58
				57
				56
REF	REF	-	B	240624-1 PIN, FEED FINGER 55
REF	REF	-	B	691499-1 SPRING, FEED FINGER 54
REF	REF	-	B	240635-1 FINGER, FEED 53
REF	REF	-	B	240634-1 LEVER, TERMINAL 52
				51
				50
				49
1	-	-	B	690501-3 CAM, POST FEED 1 1/8 ST 48
-	1	-	B	690501-4 CAM, POST-FEED 1 5/8 ST 47
				46
1	1	-	A	690191-1 PLUG, NYLON 45
1	1	-	C	455674-1 RAM 44
1	1	-	A	690125-1 WASHER, LAMINATED 43
1	1	-	A	690124-9 WASHER, RAM 42
1	1	-	A	7-21002-9 BOLT, CRIMPER (5/16-24x1.00) 41
1	1	-	A	23241-6 BALL, STEEL 40
1	1	-	A	690170-1 SPRING, COMPRESSION 39
1	1	-	C	690142-1 DISC, INSULATION 38
1	1	-	D	354777-1 WIRE DISC, PLASTIC 37
1	1	-	A	22480-5 WASHER, SPRING 36
1	1	-	B	690212-1 POST, RAM 35
				34
				33
1	1	-	D	458980-1 APPLICATOR, BASIC (SUB ASSY) 32
				31
				30
				29
1	1	-	B	3-690451-2 SPACER, STRIPPER 28
1	1	-	A	240639-1 STRIPPER 27
REF	REF	-	C	455676-1 PLATE, BASE 26
2	2	-	A	22354-8 DRAG, STUD 25
1	1	-	B	455678-1 PLATE, STRIP GUIDE 24
				23
2	2	-	A	4-22281-1 SPRING, DRAG 22
				21
1	1	-	A	454177-1 DRAG, STOCK 20
1	1	-	B	2-458030-1 GUIDE, STRIP (REAR) 19
1	1	-	C	2-458031-1 GUIDE, STRIP (FRONT) 18
REF	REF	-	A	454178-1 GUIDE, FEED ROD 17
REF	REF	-	A	4-22284-9 SPRING, FEED RETURN 16
				15
				14
1	1	-	C	690481-2 SPACER, HOLD DOWN 13
				12
1	1	-	B	240644-1 PLATE, REAR SHEAR 11
				10
1	1	-	B	690482-1 PLATE, FRONT SHEAR 9
1	1	-	D	4-461295-6 ANVIL 8
1	1	-	B	690474-2 BLADE, SLUG 7
				6
1	1	-	C	240641-3 SPACER, SLUG BLADE 5
1	1	-	B	1-238009-3 SPACER, BLOCK CRIMPER 4
1	1	-	C	6-456134-1 CRIMPER, INSULATION 3
1	1	-	B	1-455888-0 SPACER, CRIMPER 2
1	1	-	C	1-456411-5 CRIMPER, WIRE 1



QTY	REV	U/M	DWG SIZE	PART NO	DESCRIPTION	ITEM NO
2	2	-	C	6-354778-1	PIN, WIRE DISC (.2800)D	129
2	2	-	C	5-354778-5	PIN, WIRE DISC (.2770)C	128
2	2	-	C	4-354778-5	PIN, WIRE DISC (.2720)B	127
2	2	-	C	2-354778-3	PIN, WIRE DISC (.2610)A	126
1	1	-	A	986950-1	WASHER, FLAT PRECISION	125
REF	REF	-	A	21045-3	RING, RET "C" (∅.187)FD PIN	124
						123
REF	REF	-	A	5-21028-1	PIN, STD SPRING (∅.12)FD ADJ ROD	122
						121
REF	REF	-	A	1-21030-7	PIN, DOWEL (∅.187x1.50)HSG	120
REF	REF	-	A	1-21030-1	PIN, DOWEL (∅.187x.50)LEVER	119
						118
						117
REF	REF	-	A	21899-4	WASHER, FLAT (∅5/16)SCR ADJ	116
						115
						114
REF	REF	-	A	21024-5	WASHER, LOCK (NO.10)FD ROD GDE	113
6	6	-	A	21024-4	WASHER, LOCK (NO.8)SHEAR BL	110
						109
2	2	-	A	21018-4	NUT, HEX (4-40)DRAG	108
REF	REF	-	A	21018-5	NUT, HEX (6-32)FD ADJ PL	107
						106
2	2	-	A	21022-2	NUT, HEX SL (8-32)DRAG STUD	105
						104
						103
2	2	-	A	2-21006-6	SCR, SKT SET (4-40x.62)DRAG	102
1	1	-	A	21009-2	SCR, SKT SET (1/4-20x.25 )RAM	101
2	2	-	A	21017-2	SCR, DRIVE (#2x.19)ID PLATE	100
1	1	-	A	1-21002-7	SCR, BHC (6-32x.38)CAM	99
1	1	-	B	461264-1	PLATE, IDENTIFICATION	98
REF	REF	-	A	6-23715-5	SCR, PAN HD (6-32x1.50)FEED ADJ	97
						96
2	2	-	A	2-21002-2	SCR, BHC (8-32x.50)STRIPPER	95
REF	REF	-	A	2-21002-9	SCR, BHC (10-32x.75)HSG CAP	94
1	1	-	A	22733-8	SCR, BHC (8-32x.38 LW)ANVIL	93
4	4	-	A	3-21002-3	SCR, BHC (1/4-20x.50)ST 6D PL	92
REF	REF	-	A	2-22733-8	SCR, BHC (1/4-20x.62)BASE PL	91
						90
						89
						88
2	2	-	A	2-21000-7	SCR, SHC (8-32x.50)SLUG BLADE	87
4	4	-	A	2-21000-6	SCR, SHC (8-32x.38)STRIP GUIDE	86
						85
REF	REF	-	A	3-21000-7	SCR, SHC (10-32x.75)FEED ROD GDE	84
						83
REF	REF	-	A	3-21000-6	SCR, SHC (10-32x.62)FEED ADJ PL	82
REF	REF	-	A	3-21000-4	SCR, SHC (10-32x.38)PIVOT BLOCK	81
2	2	-	A	3-21002-0	SCR, BHC (10-32x.88)SHEAR PL	80
REF	-	-	A	455745-1	GUARD, WINDOW	79
-	REF	-	A	679532-1	INSERT, GUARD	78
						77
						76
						75
1	1	-	A	690603-1	SPRING, ASSIST	74
1	1	-	A	23030-1	SCR, SKT CAP (6-32x.25)CP DSC	73
REF	REF	-	A	458109-1	WASHER, FLAT (SPECIAL)	72
REF	REF	-	A	690517-1	SPACER	71



- 1 RECOMMENDED SPARE PARTS.
- 2 GREASE LIGHTLY.
- 3 GUARD MUST BE IN PLACE WHEN OPERATING APPLICATOR IN A BENCH MACHINE.
- 4 LUBRICATE DAILY USING NO. 20 MACHINE OIL.
- 5. ITEMS WITH QTY OF REF SPECIFIED (EXCEPT ITEMS 78 AND 79) ARE USED ON ITEM 32.
- 6 ITEM 78 USED WITH G TERMINATOR ONLY.



QTY	REV	U/M	DWG SIZE	PART NO	DESCRIPTION	ITEM NO
-2	-1	U/M				

REVISION OF EACH ASSY NO (WHEN BLANK, USE DWG REVISION)						
QTY	REV	U/M	DWG SIZE	PART NO	DESCRIPTION	ITEM NO
-2	-1	U/M				

DIMENSIONS IN INCHES. DO NOT SCALE PRINT. TOLERANCES UNLESS OTHERWISE SPECIFIED.						
DR	CHK	REL	APP	DATE	APP	DATE
J. BAKER	C. ERISMAN	B. MORGAN	A. BEDDICK	11-10-95	11/13/95	1/18/96

SCALE	DWG NO	MACHINE REF	MINI APPL
-	680219	1 of 1	A

THIS DRAWING IS A CONTROLLED DOCUMENT FOR AMP INCORPORATED. IT IS SUBJECT TO CHANGE AND THE CONTROLLING ENGINEERING ORGANIZATION SHOULD BE CONTACTED FOR THE LATEST REVISION.

THIS INFORMATION IS CONFIDENTIAL AND IS DISCLOSED TO YOU ON CONDITION THAT NO FURTHER DISCLOSURE IS MADE BY YOU TO OTHER THAN AMP PERSONNEL WITHOUT WRITTEN AUTHORIZATION FROM AMP INCORPORATED, HARRISBURG, PA.