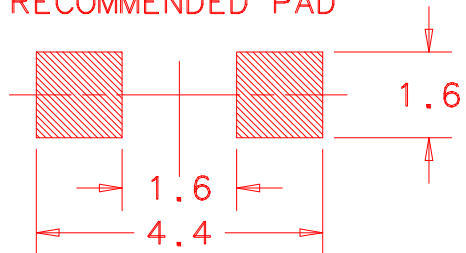
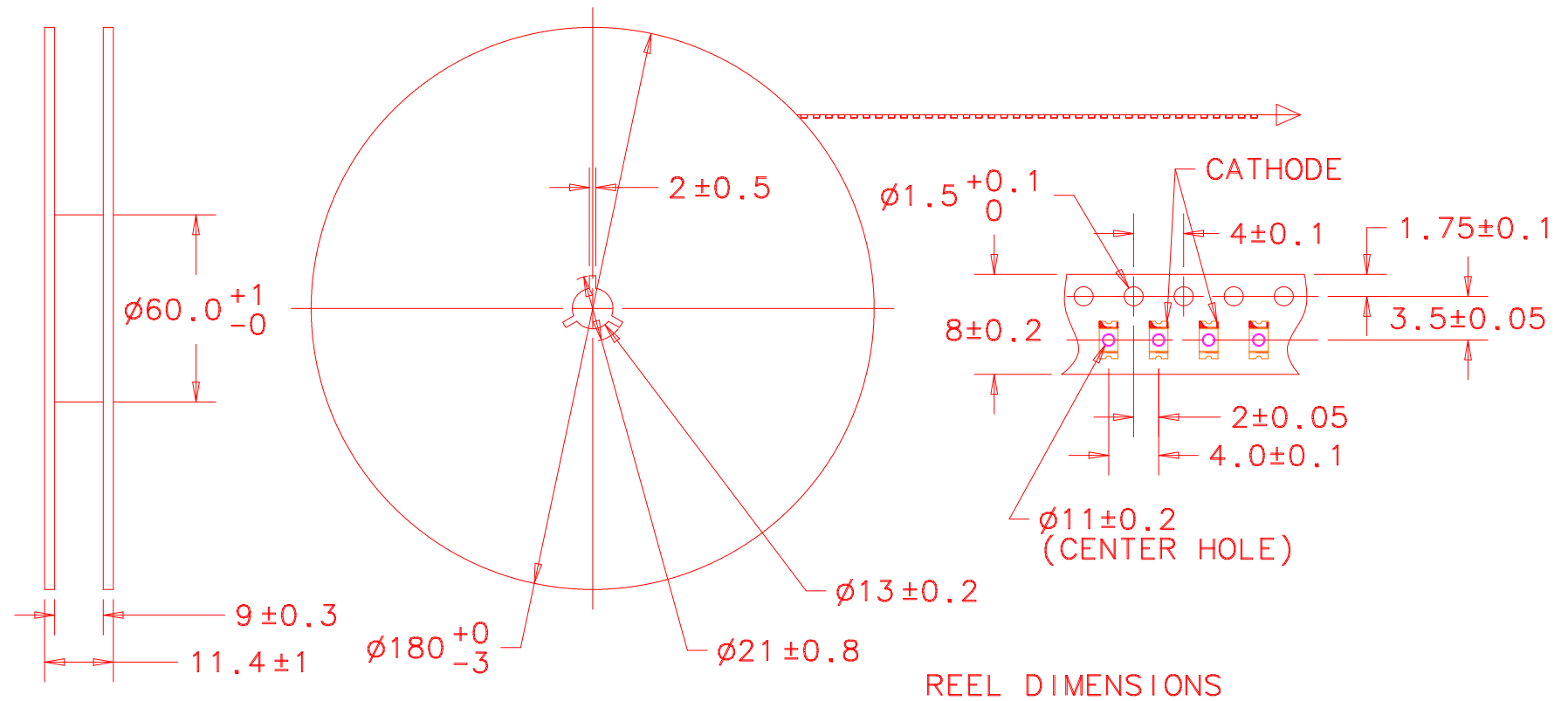


RECOMMENDED PAD



SDRC FILE NAME: B17147

REVISIONS			
REV	ECR NO	DESCRIPTION	DATE
A	20318	NEW RELEASE	
B	20628	REMOVED VENDOR No'S.	6/25/01



DIM ARE IN MILLIMETERS		<input type="checkbox"/> FOR INSPECTION USE ONLY <input checked="" type="checkbox"/> SPC DOCUMENTATION REQ. (X R CHARTS)	
THIS DWG IS THE PROPERTY OF CHICAGO MINIATURE LAMP, INC AND IS PROPRIETARY IN GENERAL AND IN DETAIL. IT SHALL NOT BE COPIED OR ITS CONTENTS REVEALED TO OUTSIDE PARTIES WITHOUT THE WRITTEN CONSENT OF CHICAGO MINIATURE LAMP, INC		DRAWN BY R.HANES	DATE 4/16/01
		CHECKED BY	DATE
		ENG. APPRV.	DATE
UNLESS OTHERWISE SPECIFIED TOLERANCES ON: .XX ±0.25 .XXX ±0.25 ANGLE ± 1°		PART NO	MODEL NO
		MOLD NO	MATERIAL
		FINISH	TITLE CHICAGO MINIATURE LAMP, INC 147 CENTRAL AVE. HACKENSACK, NJ 07601 SURFACE MOUNT LED- RIGHT ANGLE
		DIST. v/s	DWG NO B17147
		SCALE NTS	REV B
		SHEET 1 OF 2	