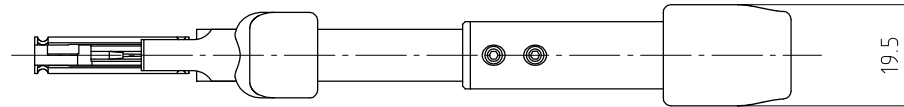
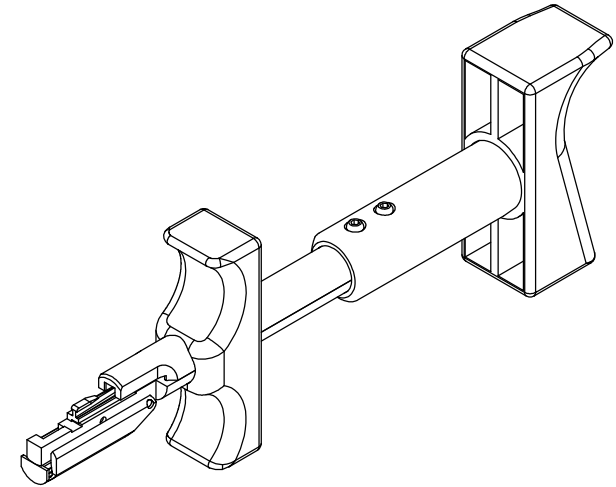
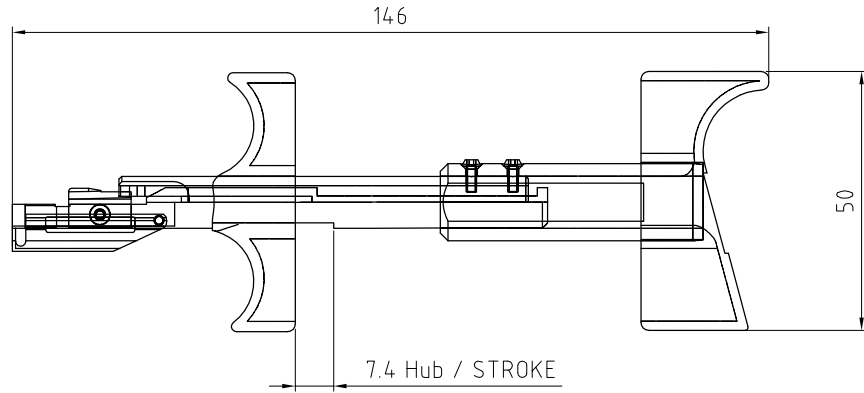


THIS DRAWING IS UNPUBLISHED.

RELEASED FOR PUBLICATION

© COPYRIGHT - BY TYCO ELECTRONICS CORPORATION. ALL INTERNATIONAL RIGHTS RESERVED.

LDC		DIST		REVISIONS			
P	LTR	DESCRIPTION		DATE	DWN	APVD	
	E	ECR-11-017476		23AUG11	MS	TW	



Mandrels: 654633-1 AWG24/20

Customer manual: 411-18509

Mandrels müssen separat bestellt werden.  
Mandrels have to be ordered separately.

THIS DRAWING IS A CONTROLLED DOCUMENT.		DWN M.Strecker	23AUG11	<b>STE</b> TE Connectivity	
		CHK T.Weissgerber	23AUG11		
DIMENSIONS: mm		TOLERANCES UNLESS OTHERWISE SPECIFIED:		NAME	
		0 PLC	± -	108-19028	
		1 PLC	± -	108-2019	
		2 PLC	± -	A3 00779 C=654632-1	
		3 PLC	± -	CUSTOMER DRAWING	
		4 PLC	± -	SIZE	CAGE CODE
		ANGLES	± -	DRAWING NO	RESTRICTED TO
MATERIAL		FINISH		SCALE	SHEET
				1:1	1 OF 1
				REV E	