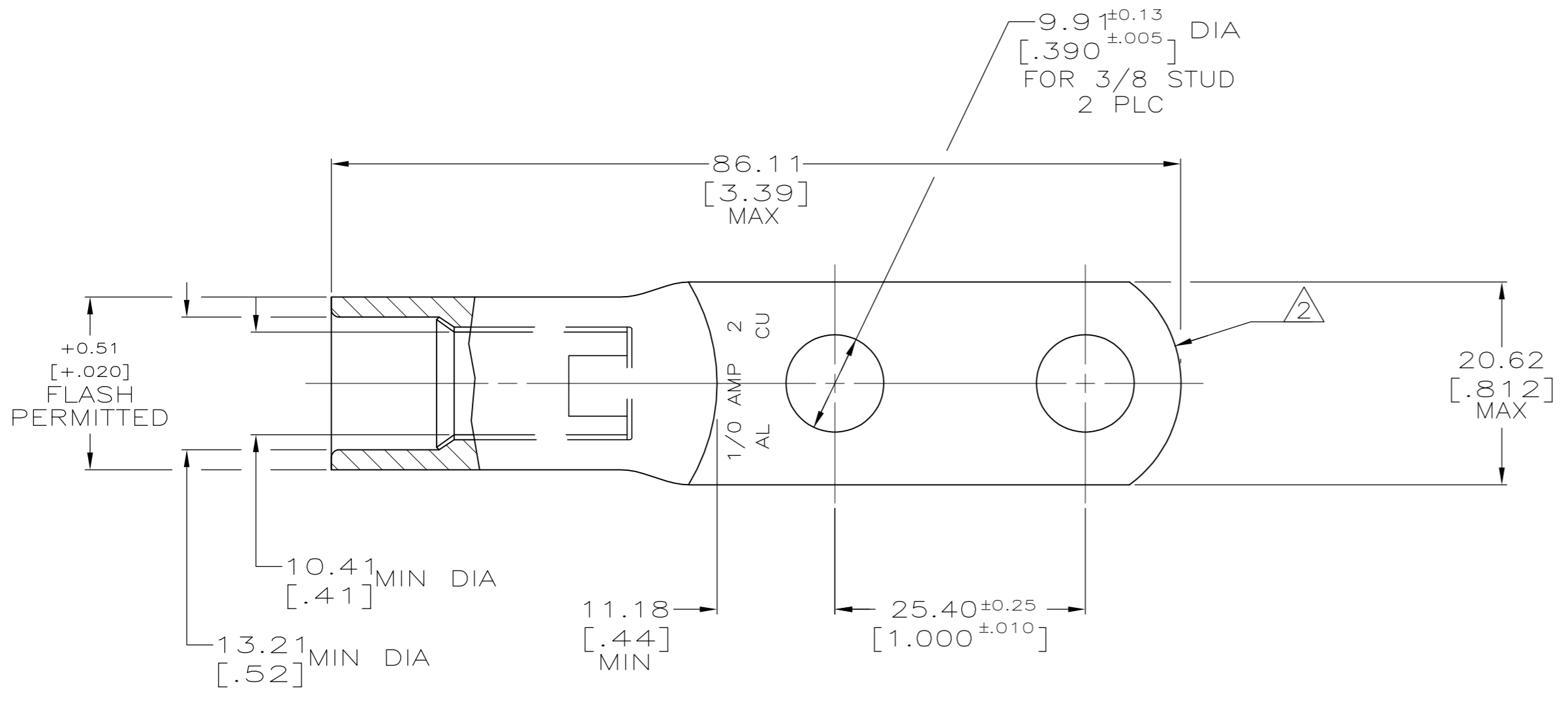
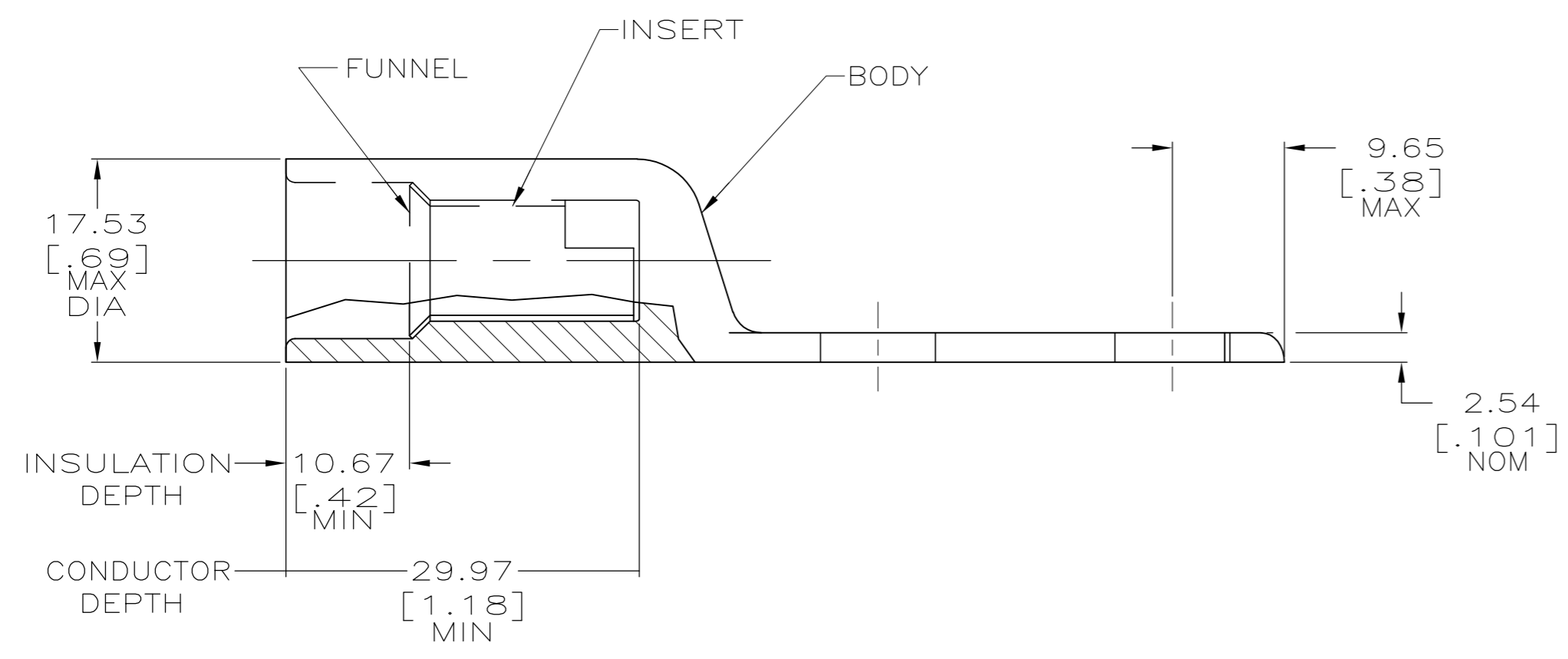


THIS DRAWING IS UNPUBLISHED. RELEASED FOR PUBLICATION
 © COPYRIGHT BY TYCO ELECTRONICS CORPORATION. ALL RIGHTS RESERVED.

LOC	DIST	REVISIONS			
G	86	P	LTR	DESCRIPTION	MS
		F		REV PER ECR 08-004985	DATE DWN APVD
					26FEB08 JR MS



1 WIRE INSULATION: 10.79[.425] - 11.94[.470] DIA
 △ 2 THE TONGUE RADIUS FEATURE IS NOT A TOOLING CONTROLLED DIMENSION AND MAY NOT BE A TRUE RADIUS.



BODY: COPPER ASTM-B187 ANNEALED TIN PL MIL-T-10727 0.00457[.000150] MIN THK INSERT & FUNNEL: BRASS PER ASTM B36 NICKEL PLATE SAE AMS QQ-N-290A, DATED JULY 2000, 0.00254 [.000100] MIN THK	55837-1
MATERIAL AND FINISH	PART NO.

THIS DRAWING IS A CONTROLLED DOCUMENT.		DWN DK SCHRUM 6/15/92	Tyco Electronics Corporation Harrisburg, PA 17105-3608	
DIMENSIONS: MM [INCHES]		CHK WJ VOCKROTH 6/16/92	NAME	
TOLERANCES UNLESS OTHERWISE SPECIFIED:		APVD AJ KAUFMAN 6/16/92	PRODUCT SPEC	
0 PLC ± -		108-11011		
1 PLC ± -		APPLICATION SPEC		
2 PLC ± -		114-2134		
3 PLC ± -		WEIGHT 62 GRAMS		
4 PLC ± -		SIZE CAGE CODE DRAWING NO RESTRICTED TO		
ANGLES ± -		A2 00779 C=55837		
FINISH		SCALE 2:1 SHEET 1 of 1 REV F		
SEE TABLE		CUSTOMER DRAWING		