

Technical specification:

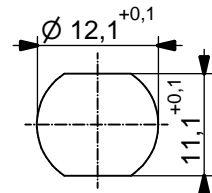
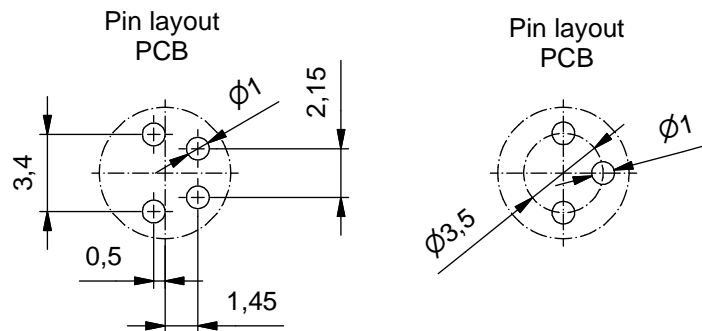
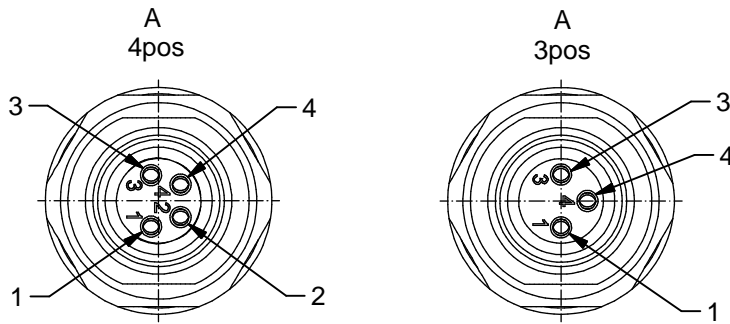
Rated voltage: IEC 61076-2-104	3pos 60 V	4pos 30 V
Current rating: IEC 61076-2-104	3/4pos 3 A at 40°C	
Insulation resistance: IEC 60512	>=100 MΩ	
Pollution degree: IEC 60664-1	3/2	
Degree of protection: IEC 60529	IP 67, in mated condition	
Temperature range:	-30°C ... +80°C	
Mating cycles: IEC 60512-9a	>=100	

Materials:

Contact:	CuZn
Contact plating:	Nickel, gold plated
Contact carrier:	PA6, UL 94
Sealing:	FPM
Counternut:	CuZn, nickel plated
Socket housing:	CuZn, nickel plated
Grouting:	Polyurethane-resin, UL 94

Installation specification:

Recommended torque:	0,6-0,8 Nm
Conec installation tool:	Torque wrench: 36-000200 Insert across flats 14: 36-000370



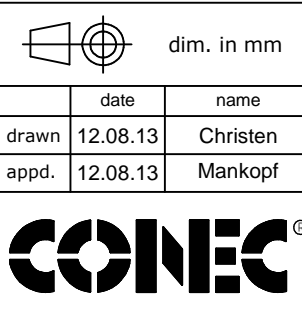
Minimum wall thickness 1,5mm, alternativ panel cut-out d=12,1



Part-No.:	Description:	Pos	Length L:
42-01144	SAL - 8 - FKH4 - P5,5	4	5,5mm
42-01143	SAL - 8 - FKH3 - P5,5	3	

DO NOT ALTER CAD DRAWING BY HAND
Directive 2011/65/EU RoHS compliant

	dim. in mm
	date name
drawn	12.08.13 Christen
appd.	12.08.13 Mankopf
general tolerance:	0 ± 0,50mm 0,0 ± 0,25mm 0,00 ± 0,10mm
THIS DRAWING MAY NOT BE COPIED OR REPRODUCED IN ANY WAY, AND MAY NOT BE PASSED ON TO A THIRD PARTY WITHOUT WRITTEN PERMISSION. OWNERSHIP AND COPYRIGHT OF CONEC GmbH	



title: Female socket M8x1 with dip solder, backmounting
dwg no: 42K1A526
part no: