

Model No: TC9FD15-16
 Product Line: Tymphany

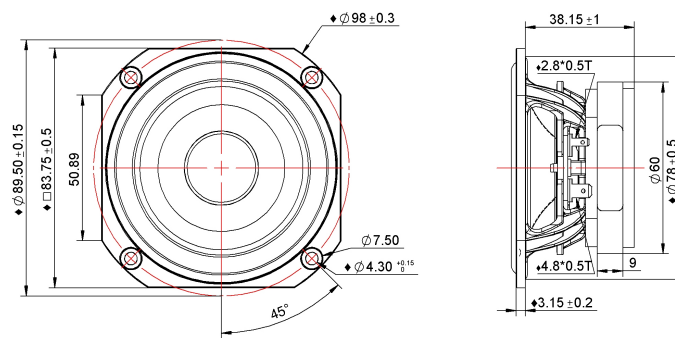
Rev: 1
 Last Update: 2017-04-21 12:39:42

Product Description

This TC family 3.5 inch 16 ohm full-range driver, with ferrite magnet, paper cone, rubber surround, and plastic basket, is designed to be a cost-effective high performance full range driver. The cone utilizes Tymphany-patented PentaCut NRSC cone technology to help dampen and control cone resonances, optimizing the listening experience. The motor contains a copper cap to lower inductance and distortion. The product was designed with portable and compact applications in mind.



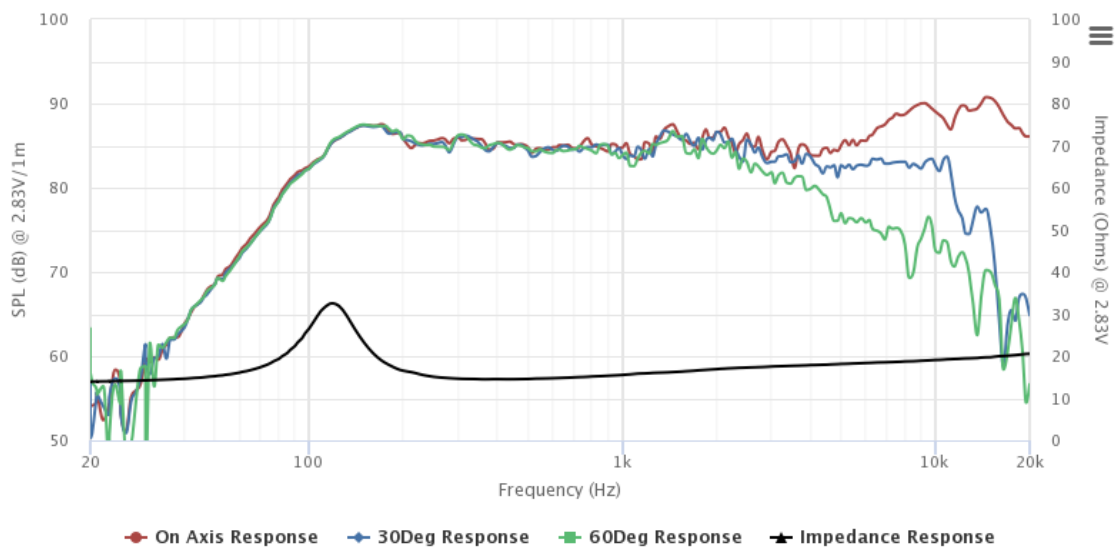
Mechanical Drawing



Specifications

DC Resistance	Revc	Ohms	12.74	5.0%	Energy Bandwidth Product	EBP	(1/Qes)*fs
Minimum Impedance	Zmin	Ohms	14.51	7.5%	Moving Mass	Mms	g
Voice Coil Inductance	Le	mH	0.07		Suspension Compliance	Cms	um/N
Resonant Frequency	Fs	Hz	127.25	15%	Effective Cone diameter	D	cm
Mechanical Q Factor	Qms		2.68		Effective Piston Area	Sd	cm ²
Electrical Q Factor	Qes		1.74		Effective Volume	Vas	L
Total Q Factor	Qts		1.06		Motor Force Factor	BL	Tm
Ratio Fs/Qts	F	Fs/Qts	120.5		Motor Efficiency Factor	β	(T*M ²)/Ohms
Half Space Sensitivity @2.83V	db@2.83V/1M	dB	85.2	+/- 1.0db	Voice coil former Material	VCfm	ASV
Half Space Sensitivity @1W/1M	db@1W/1M	dB	87.8	+/- 1.0db	Voice coil inner diameter	VCd	mm
Gap Height	Gh	mm	4		Rated Noise Power	P	W
Maximum Linear Excursion	Xmax	mm	2.4		Test Spectrum Bandwidth		115Hz~20KHz
Ferrofluid Type	FF				Driver Size	Inch	3.5 in
Driver Mass	Kg		0.3				

Frequency and Impedance Response



Highcharts.com