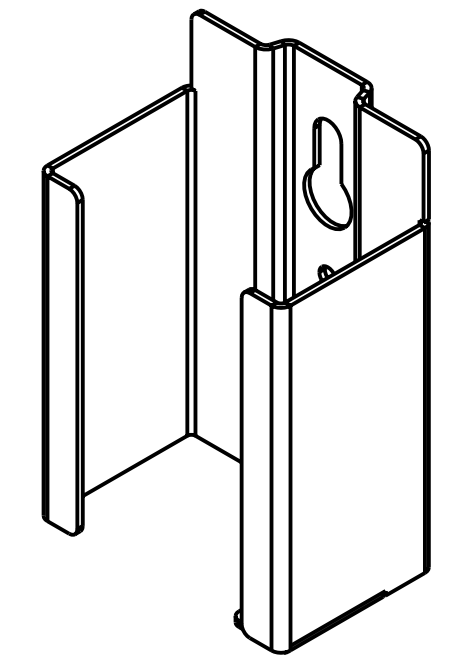
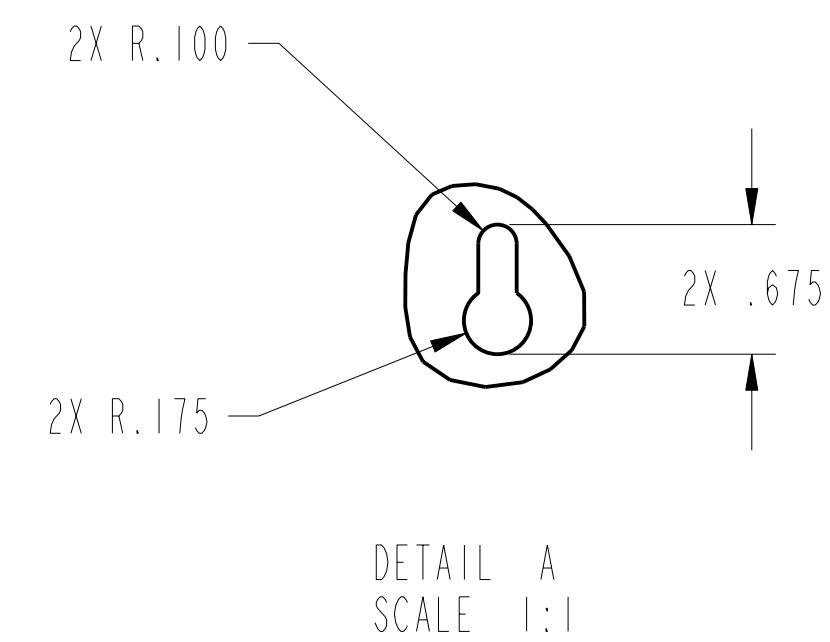
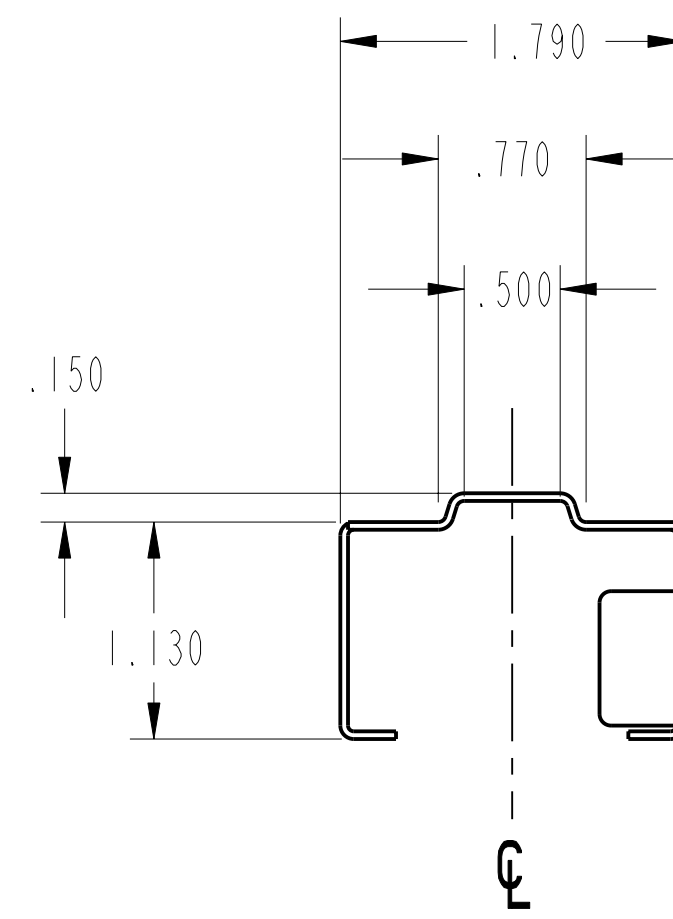
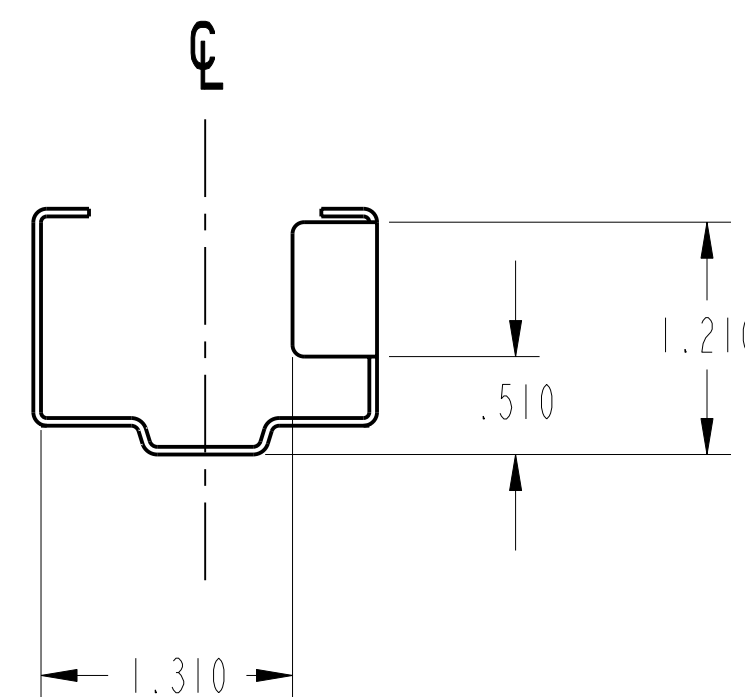
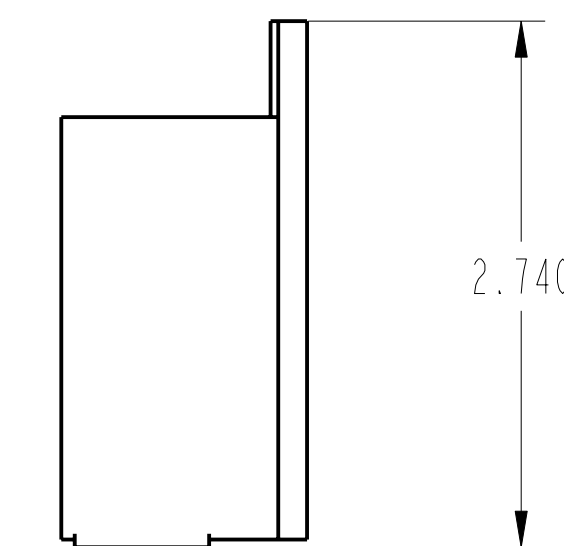
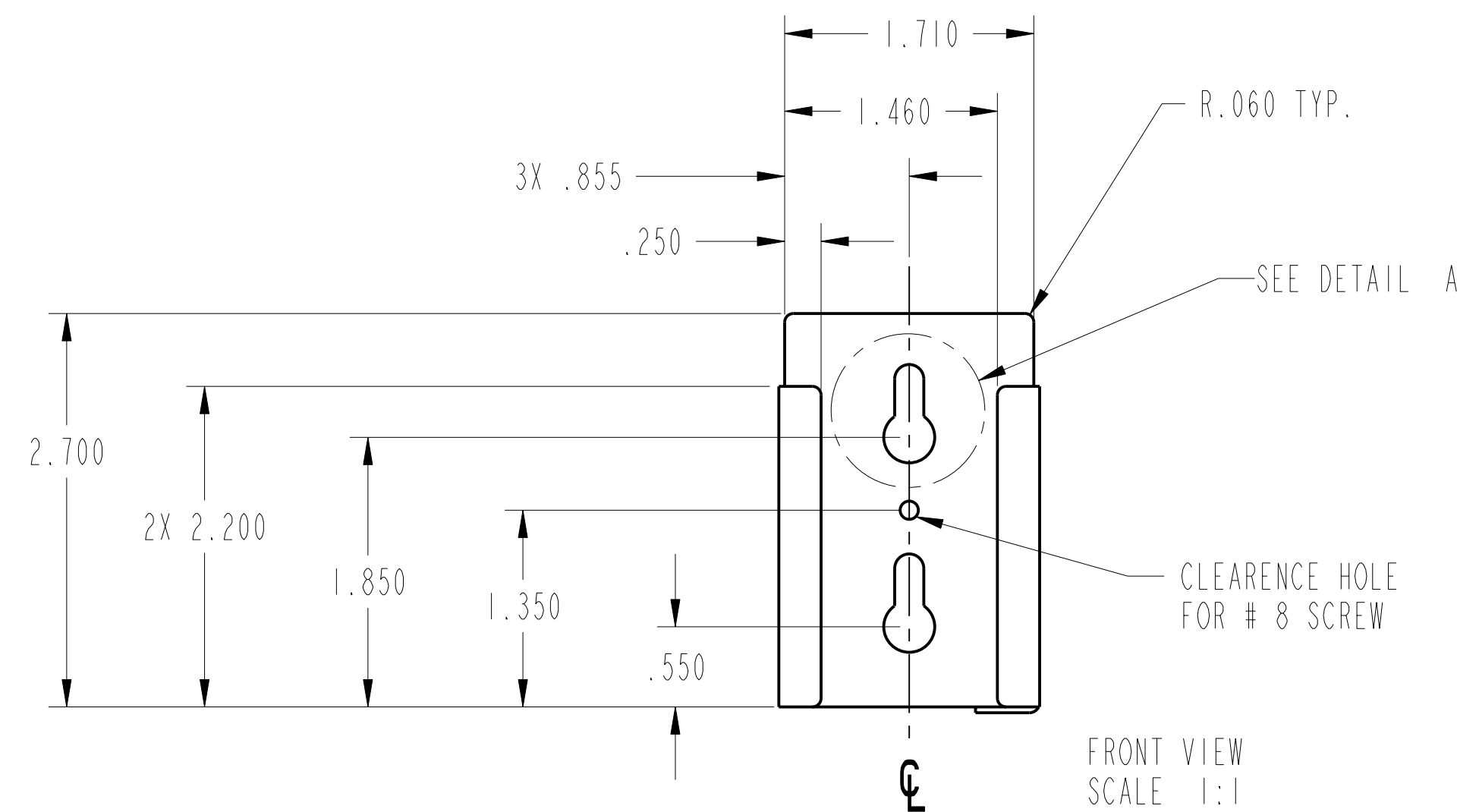


FLAT PATTERN  
SCALE 1:1



ISOMETRIC VIEW  
SCALE 1:1



6. PAINT ALL EXTERIOR SURFACES UNLESS OTHERWISE SPECIFIED WITH THE FOLLOWING POWDER COAT:  
 COLOR: BLACK H.B. FULLER (#1F2723)  
 DIGI INTERNATIONAL P/N - 67000037  
 CHEMISTRY: URETHANE  
 PARTICLE SIZE: 45-60% THROUGH 325 MESH  
 RECOMMENDED FILM THICKNESS: 2.0 - 3.0 MILS  
 FINISHED TEXTURE SHALL BE LIGHT  
 POWDER COAT CHIP WILL BE SUPPLIED UPON REQUEST

5. ADD THE FOLLOWING INFORMATION SHOWN BELOW BY STAMPING AN INDENTING IMPRESSION OR USING PERMANENT INK (CONTRASTING IN COLOR) VISIBLE ONLY FROM THE SIDE INDICATED WITH DIGI INT'L PART NUMBER AND REVISION LEVEL, DATE CODE, AND VENDOR LOGO. PART MARKING SHALL NOT AFFECT THE COSMETIC SURFACES OF THE PART.

EXAMPLE: 60000989-03 REV.B  
 WW-YY VENDOR LOGO

- 4. ALL SURFACES TO BE BURR FREE. REMOVE ALL SHARP EDGES.
- 3. ALL DIMENSIONS TO BE FORMED.
- 2. THE BEND RADIUS NOT TO EXCEED .06 MAX.
- 1. DIMENSIONS PER ANSI Y14.5M-1994.

NOTES:

THIS DOCUMENT CONTAINS INFORMATION PROPRIETARY AND CONFIDENTIAL TO DIGI INTERNATIONAL INC. BY ACCEPTING DELIVERY, RECIPIENT AGREES TO RETAIN IT IN CONFIDENCE AND NOT DISCLOSE IT TO OTHERS NOR USE IT FOR ANY PURPOSE OTHER THAN THAT FOR WHICH IT WAS DELIVERED, AND TO PROMPTLY RETURN IT UPON REQUEST.

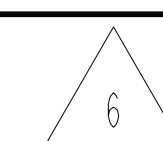
UNLESS OTHERWISE SPECIFIED ALL DIMENSIONS ARE IN INCHES...  
 TOLERANCES ARE AS FOLLOWS:  
 .XX +/- .02  
 .XXX +/- .010 ANGLES +/- 2°

THIRD ANGLE PROJECTION

MATERIAL

.040 AL 5052-H32

FINISH



B	505327	ADD MOUNTING HOLE	TJM				
A	102733	NEW RELEASE	TJM	BDM	BDM	12-19-02	
REV	ECO	DESCRIPTION OF CHANGE	BY	CKD	APPR	DATE	
APPROVALS		DATE					
DESIGNED	TJM	12-17-02					
DRAWN	TJM	12-17-02					
CHECKED	BDM	12-19-02					
ENGINEER	TJM	12-17-02	TITLE				
DO NOT SCALE DRAWING			BKT, WALL MOUNT DIGI ONE SP				
SIZE		CODE	PART NO.		REV		
D			60000989-03		B		
SCALE		NTS	PRO/ENGINEER		SHEET 1 OF 1		