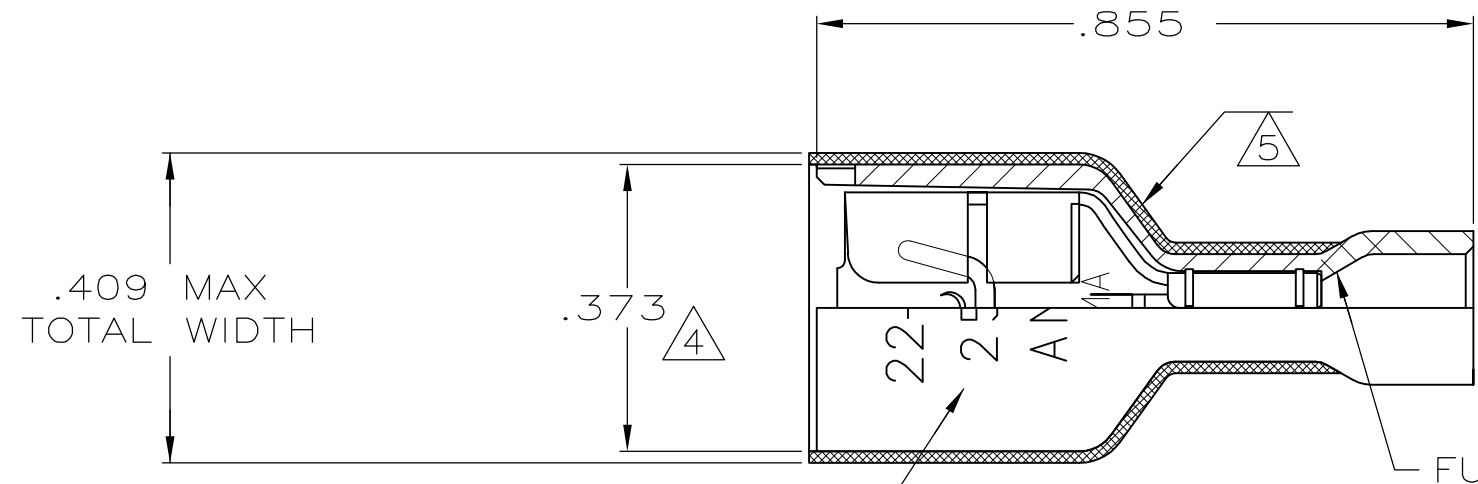


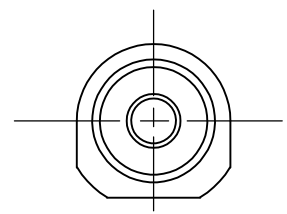
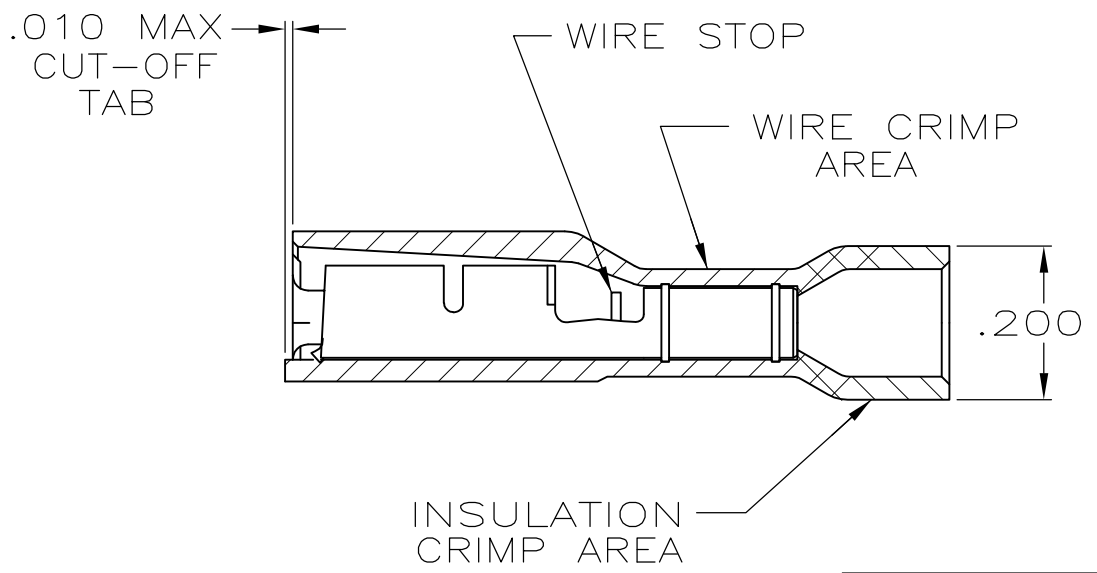
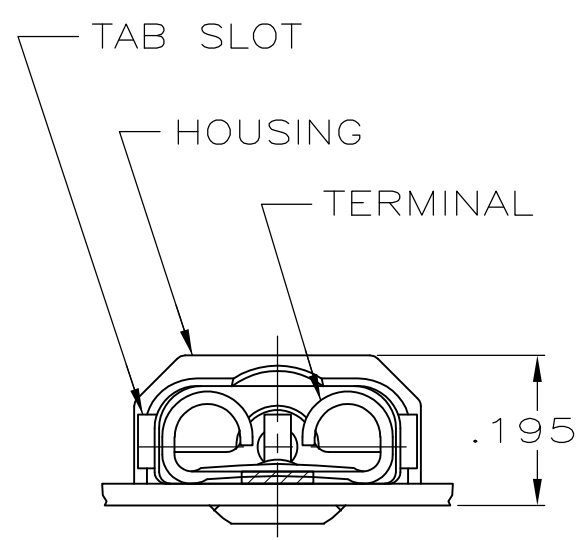
THIS DRAWING IS UNPUBLISHED. RELEASED FOR PUBLICATION
 © COPYRIGHT - By - ALL RIGHTS RESERVED.

LOC	DIST	REVISIONS					
AF	50	P	LTR	DESCRIPTION	DATE	DWN	APVD
			J	REVISED PER ECR-12-005303	23JUL12	KH	KR




- 1 MATES WITH .032±.001x.250 TAB
- 2 WIRE STRIP LENGTH .281
- 3 INSULATION SIZE .060-.135 DIA
- 4 DIMENSION DOES NOT INCLUDE TRIM BURR
- 5 .015 MAX CARRIER TRIM BURR PER SIDE IS ALLOWABLE IN THE SHADED AREA

WIRE AND RECEPTACLE SIZE IDENTIFICATION { 22-18 AWG, 250 AMP



HOUSING: NYLON, COLOR-RED TRANSLUCENT	2-520407-2
RECEPTACLE: #3 HARD BRASS, TIN	
MATERIAL & FINISH	PART NO

THIS DRAWING IS A CONTROLLED DOCUMENT.		DWN	P FORTNEY	10/27/88	 TE Connectivity	NAME RECEPTACLE ASSY, ULTRA-FAST PLUS, LOOSE PIECE, .250 SERIES, 22-18 AWG
DIMENSIONS: INCHES		CHK	MS FEHER	11/3/88		
TOLERANCES UNLESS OTHERWISE SPECIFIED:		APVD	K RANDOLPH	11/4/88		
0 PLC ± - 1 PLC ± - 2 PLC ± - 3 PLC ± .015 4 PLC ± - ANGLES ± -		PRODUCT SPEC	108-2044			
MATERIAL	SEE TABLE	FINISH	SEE TABLE	APPLICATION SPEC	114-2123	RESTRICTED TO
CUSTOMER DRAWING		WEIGHT	-		SIZE	A3
SCALE		4:1		SHEET	1 OF 1	
REV		J				