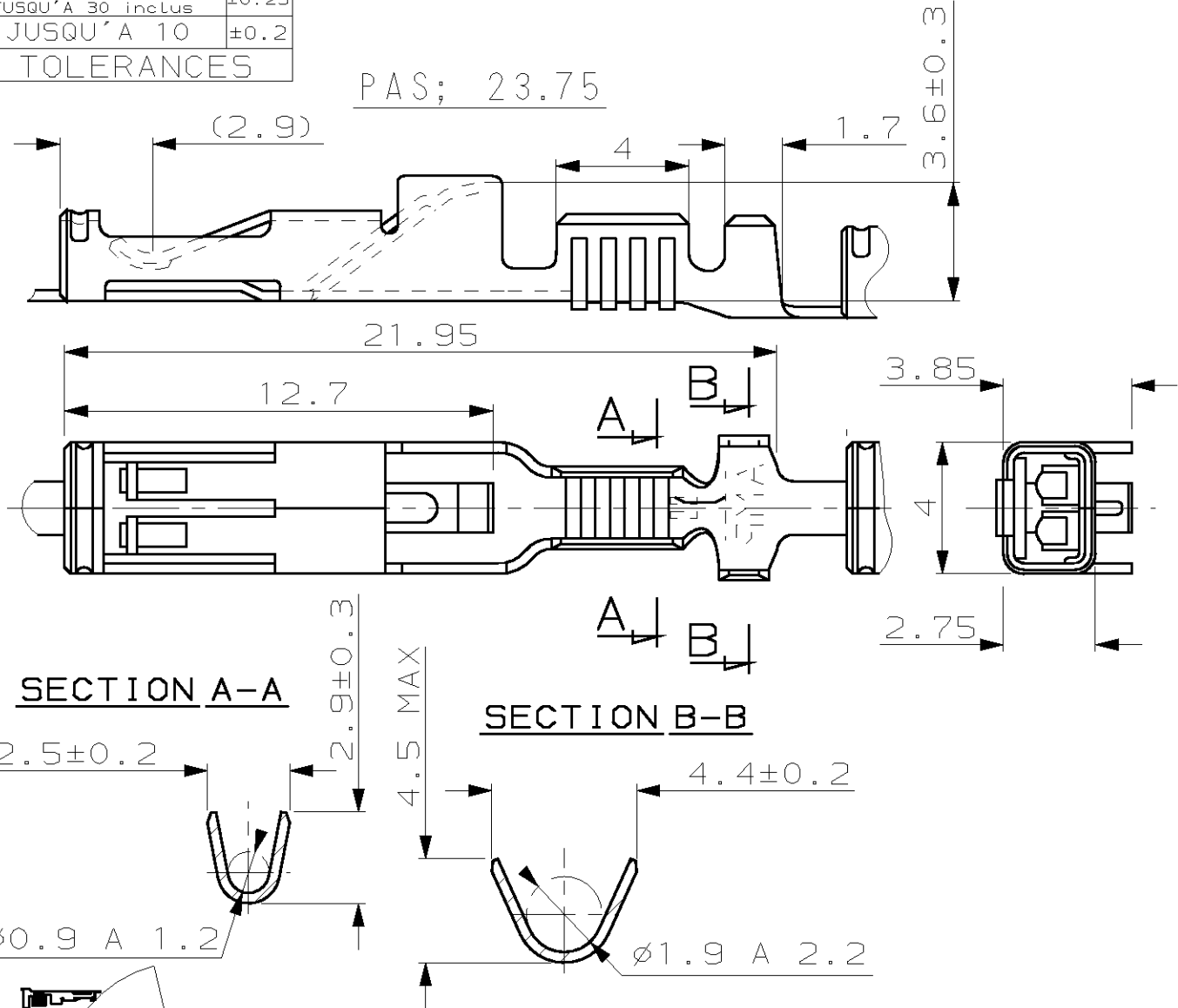


LOC F	DIST 7	REVISIONS						
P	LTR REV	DESCRIPTION MODIFICATIONS				DATE	DWN DESS.	APVD APP.
	D	PREFIXE 2 AJOUTE				28-FEB-03	RP	-
	L	PREFIXE 2 AJOUTE+INDICE REV. EC EXPRESS				12-NOV-03	RP	-

AU DELA DE 30 JUSQU'A 100 inclus	±0.3
AU DELA DE 10 JUSQU'A 30 inclus	±0.25
JUSQU'A 10	±0.2
TOLERANCES	



SECTION A-A

SECTION B-B

2-142183-1	LAITON (pre-etame)	2-142314-1
142183-5	LAITON (brut) + dorure selective sur bande	142314-5
142183-4	LAITON (brut)	142314-4
142183-3	LAITON (post-etame)	142314-3
142183-2	BRONZE (pre-etame)	142314-2
142183-1	LAITON (pre-etame)	142314-1
REF. BANDE	MATIERE	REF. VRAC

NOTE:
DIMENS. FIL: 0.35 A 1MM²
ISOLANT: 1.3±0.1 A 2±0.1

RELEASED FOR PUBLICATION

THIS DRAWING IS UNPUBLISHED.
DIFFUSION RESEINTE AMP

BY TYCO ELECTRONICS CORP. ALL RIGHTS RESERVED.
TOUS DROITS RESERVES.

© COPYRIGHT

DIMENSIONS: mm	DWN/DESSINE Remi PATIN 28-FEB-03
TOLERANCES UNLESS OTHERWISE SPECIFIED, TOLERANCES NON SPECIFIEES (SUIV NB DE DECIMALES):	CHK/VERIFIE JP PICAUD 28-FEB-03
0 PLC/DEC ±	APVD/APPROUVE J DAHER 28-FEB-03
1 PLC/DEC ±-	PRODUCT SPEC SPEC. PRODUIT
2 PLC/DEC ±	APPLICATION SPEC SPEC. APPLICATION
3 PLC/DEC ±	WEIGHT MASSE APPROX.
4 PLC/DEC ±	
ANGLES ±5°	

MATERIAL MATIERE	FINISH FINITION
TYCO ELECTRONICS FRANCE SAS BP 39, 95301 CERGY-PONTOISE CEDEX	
NAME TITRE	
CLIP MIC 1	
SIZE FORMAT	CAGE CODE
A4	00779
DRAWING NO TITRE	
C-142183	
RESTRICTED TO	
-	

CUSTOMER DRAWING/PLAN CLIENT	UNIQUEMENT POUR REFERENCE	SCALE ECHELLE 5:1	SHEET FEUILLE 1	OF DE 1	REV L
------------------------------	------------------------------	----------------------	--------------------	------------	----------