

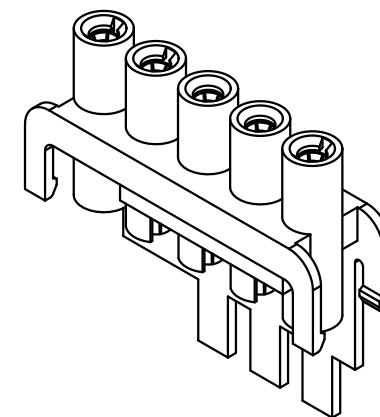
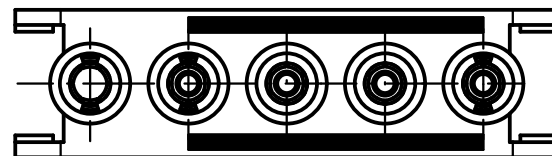
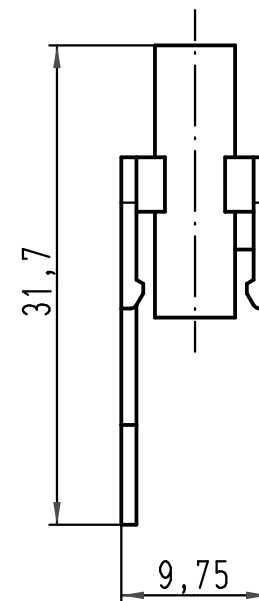
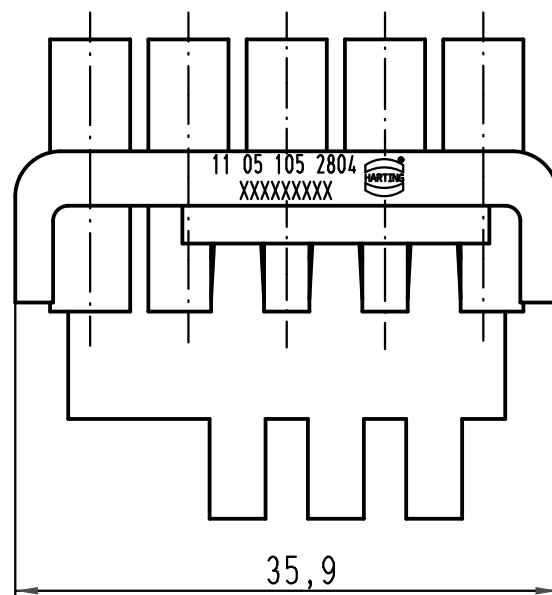
1 2 3 4 5 6

A

B

C

D



|   |      |                   |   |      |   |   |
|---|------|-------------------|---|------|---|---|
| All Dimensions in mm<br>Original Size DIN A 4 |      | Techn. Character. |   |      | Nicht tolerierte Maße! Free size tolerances |   |
|   |      |                   | Dat.  | Name | Maßstab/Scale<br><br>2:1                    | <b>Buchenträger 4 gebrückt</b><br><i>female insert 4 bridged</i><br>Han-Yellock |
|   |      | Detail.           | 28.04.10  | Ho   |   |   |
|   |      | Insp.             |   | SP   |   |   |
|   |      | Stand.            |   |      |   |   |
| A   |      |                   | HARTING Electric GmbH & Co. KG<br>D-32339 Espelkamp |      |   | <b>TB 11 05 105 2804</b>  |
| Mod.  | Dat. | Name              |   |      |   |   |