

THIS DRAWING IS UNPUBLISHED.

RELEASED FOR PUBLICATION

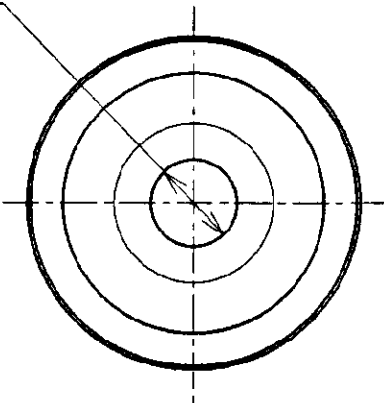
19

© COPYRIGHT 19

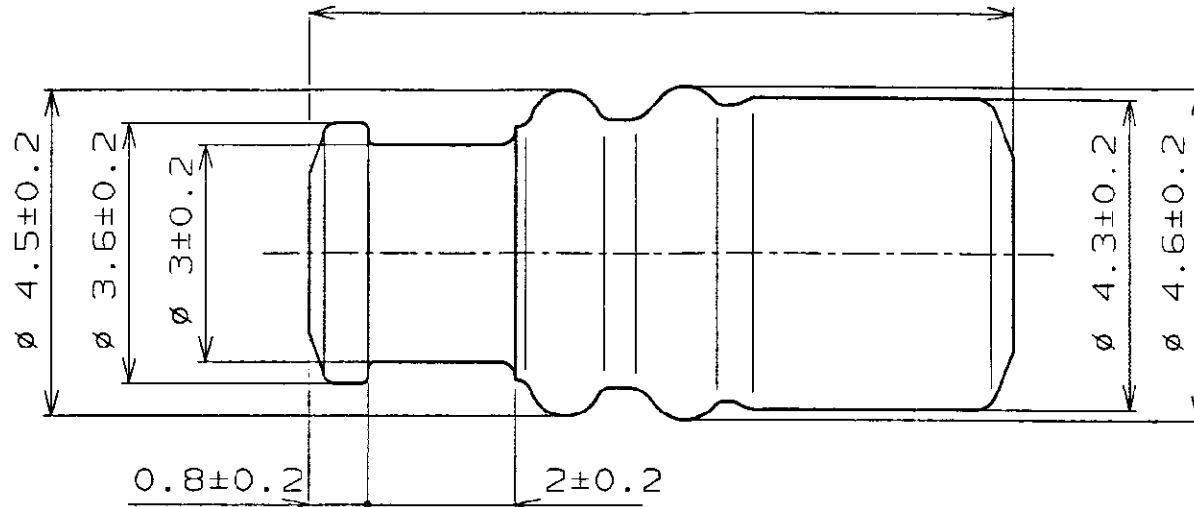
BY AMP INCORPORATED. ALL RIGHTS RESERVED.

LOC	DIST	REVISIONS						
		P	LTR	DESCRIPTION	ECN	DATE	DWN	APVD
J		0		作成 DRAWN	FJ00-4706-96	6/3 '96	J/L	82

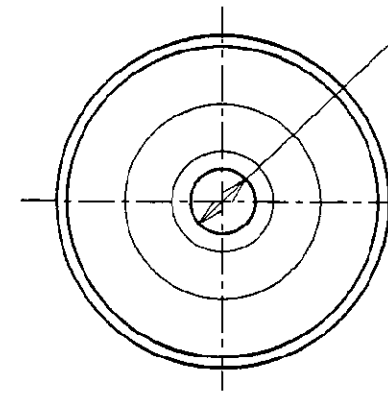
∅ 1.2±0.2



9.7±0.2



∅ 0.9±0.2



SIR DARK YELLOW GREEN 900324-4

材料(MATERIAL) 色 (COLOR) 型番(P/N)

WIRE RANGE 0.3-0.5mm<sup>2</sup> INSULATION DIA ∅1.4~∅1.9

CHK J. Hayashi 4/3/96

APVD S. Sakai 4/3/96

PRODUCT SPEC 108-5355

APPLICATION SPEC 114-5230

WEIGHT 0.13g

MATERIAL 表参照 FINISH 仕上

CUSTOMER DRAWING

AMP 株式会社 Kawasaki, Japan

NAME .070 RUBBER PLUG(S)

SIZE A3 CAGE CODE 00779 DRAWING NO 900324

SCALE 10-1 SHEET 1 OF 1 REV 0

DIMENSIONS: 単位: 毫米 mm		TOLERANCES UNLESS OTHERWISE SPECIFIED		DWN J. Hayashi 4/3/96		WIRE RANGE 0.3-0.5mm <sup>2</sup>		INSULATION DIA ∅1.4~∅1.9	
		一般公差 10% ±0.2 30% ±0.25 100% ±0.3 ANGLE: ±2°		CHK J. Hayashi 4/3/96		AMP		株式会社 Kawasaki, Japan	
MATERIAL 表参照		FINISH 仕上		APVD S. Sakai 4/3/96		NAME .070 RUBBER PLUG(S)		DRAWING NO 900324	
				PRODUCT SPEC 108-5355		SIZE A3		CAGE CODE 00779	
				APPLICATION SPEC 114-5230		DRAWING NO 900324		SHEET 1 OF 1	
				WEIGHT 0.13g		CUSTOMER DRAWING		SCALE 10-1 REV 0	