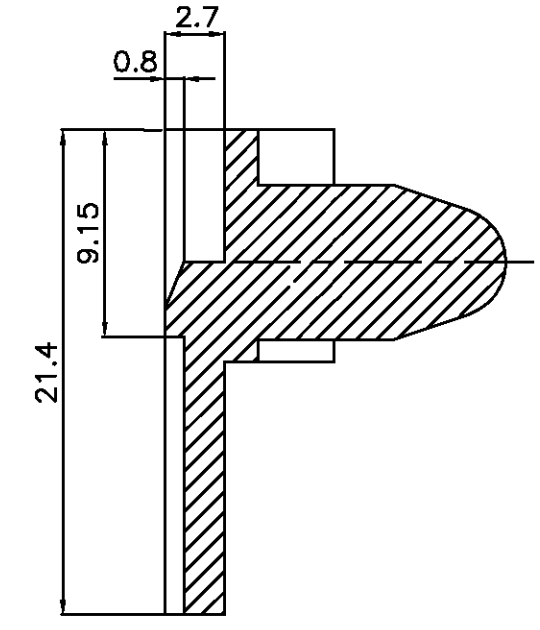
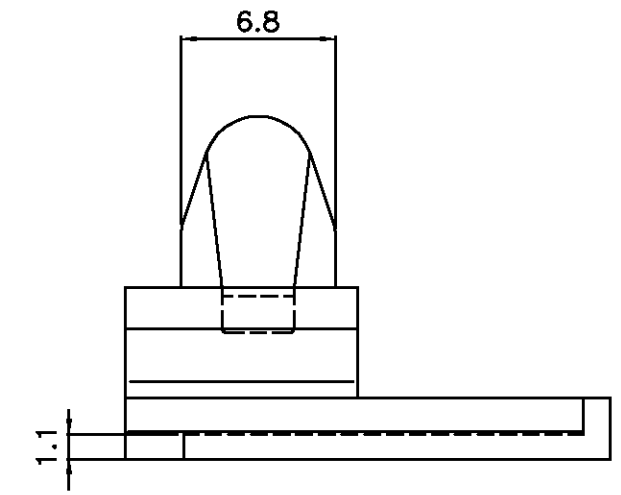
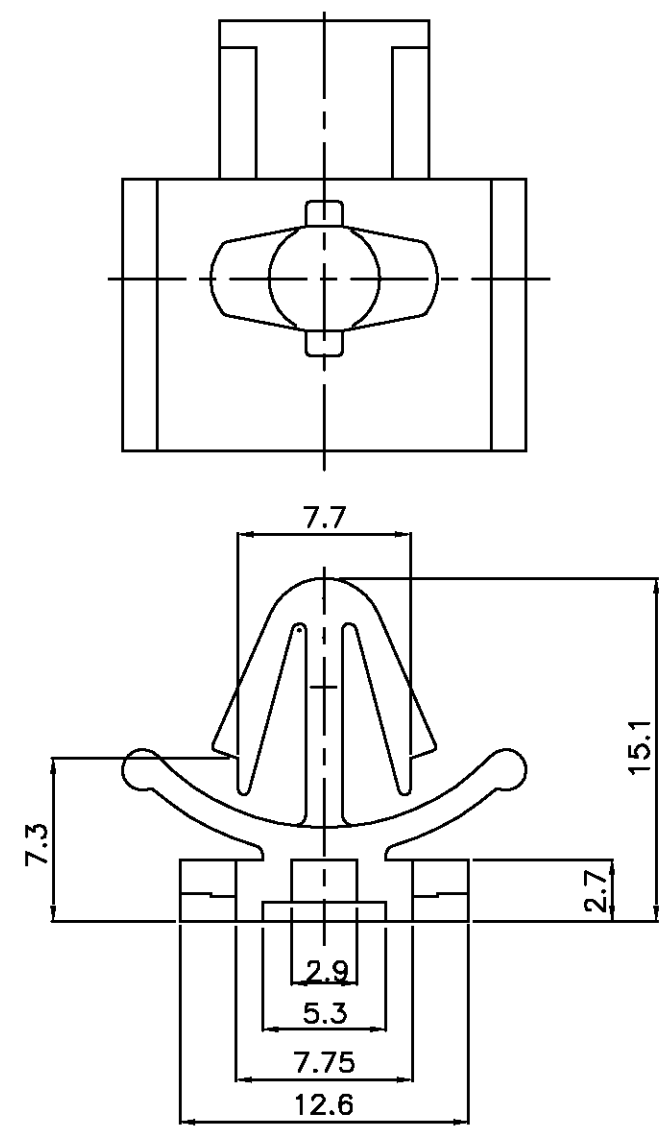
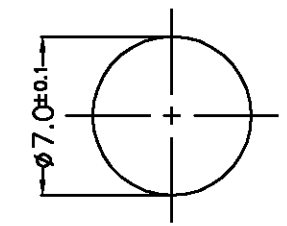


CUSTOMER DRAWING



SECTION A-A

PANEL HOLE SIZE

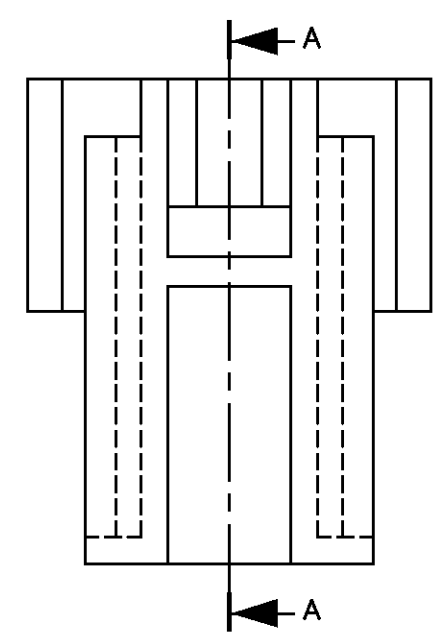


PANEL THICKNESS: 0.7-1.6mm

NOTES

- ▲ MATERIAL: NYLON66
- ▲ COLOR

BROWN	85229-2	Ⓐ
BLACK	85229-1	
COLOR	PART NO.	



PRINT DIST.

A1	REVISED PER ECO-11-005294	RK	HMR	13APR 11
LTR	REVISION RECORD	DR	CHK	DATE

WIRE RANGE		INSULATION DIA		NAME	
---		---		CLIP HSG FOR 070 & EJ (7φ PANEL)	
MATERIAL ▲		FINISH/COLOR ▲		TOLERANCES	
---		---		0<XX<10 ±0.2	
---		---		10<XX<30 ±0.25	
---		---		30<XX<100±0.3	
---		---		ANGLES ±3°	
DR	APP	SIZE	LDC	NUMBER	
CHK	REL	A3	DS	85229	
		SCALE	REV	SHEET	
		3/1	A1	1/1	

