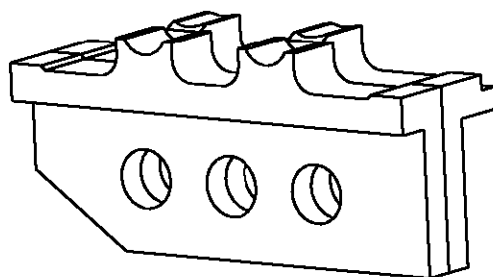
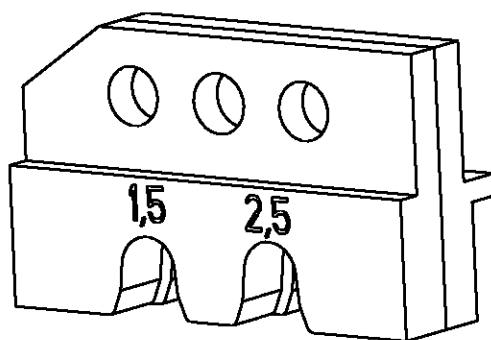


LOC	DIST	REVISIONS					
A1	-	P	LTR	DESCRIPTION	DATE	DWN	APVD
			A		new drawing	11FEB2002	-
	B		EGCO-0152-04	04JUN2004	witt	-	

Kontakt Contact	DGB (mm ²) Wire Range	Drahtcrimp/Wirecrimp Hoehe/Height		Isocrimp Breite/W idth	Iso.-Ø Ins. Range	Dichtung Seal	Betriebsanl. Instr. Sheet
			Breite/W idth				
962972/962982 962993/962999	1.5	1.67	2.54	4.30	2.2-3.0	828905/828921	411-18157
	2.5	1.97					



539679-2	1	0-539787-9	locator ass.	Positioniereinheit	A
	1	0-1579005-6	contact guide	Kontaktabstuetzung	A
	1	1-519151-3	screw M4x25	Schraube M4x25	A
	1	1-519151-1	screw M4x16	Schraube M4x16	A
	1	0-519024-2	hex nut M4	Mutter M4 DIN 985	A
	QTY Stck	PN	Description	Benennung	REV

19

RELEASED FOR PUBLICATION

THIS DRAWING IS UNPUBLISHED.

BY TYCO ELECTRONICS CORPORATION. ALL RIGHTS RESERVED.

© COPYRIGHT 19

DIMENSIONS: mm-DIN 7168-m		DWN M.Weberndoerfer 12NOV99	MATERIAL -	FINISH -				
TOLERANCES UNLESS OTHERWISE SPECIFIED: 0 PLC ± 1 PLC ± 2 PLC ± 3 PLC ± 4 PLC ± ANGLES ±		CHK U.Reuter 12NOV99	AMP tyco Electronics AMP GmbH D - 64625 Bensheim					
		APVD -						
PRODUCT SPEC -		NAME ERGOCRIMP Die Set for Ø1.5 mm and Ø2.5 mm (SWS)						
APPLICATION SPEC -		SIZE A4	CAGE CODE 00779	DRAWING NO C=539679-2	RESTRICTED TO -			
WEIGHT -		CUSTOMER DRAWING			SCALE 2:1	SHEET 1	OF 1	REV B