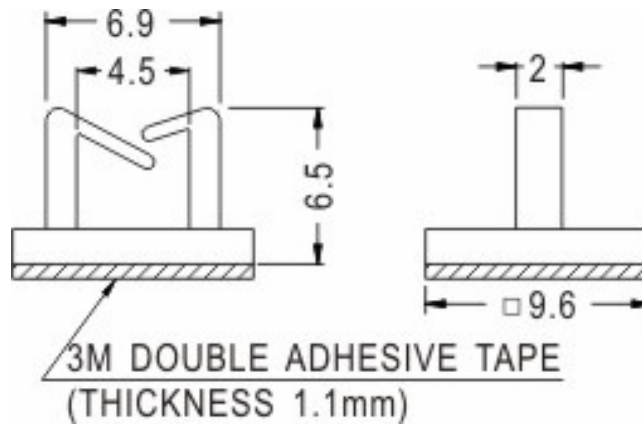
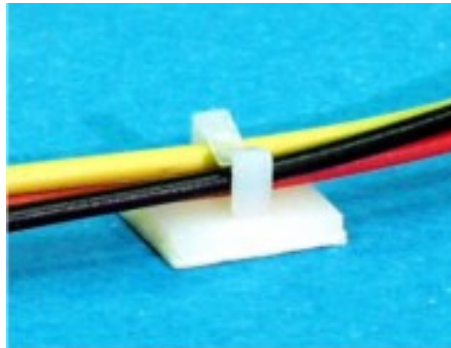


521230000



|                |  |                                   |   |
|----------------|--|-----------------------------------|---|
| 521230000      |  | Material: Nylon 66 UL 94-V2       |   |
| SPACER SUPPORT |  | Colour: natural                   |   |
|                |  | Drawn<br>Mark Wirth<br>2009-11-25 | Last Update<br>Mark Wirth<br>2009-11-25 |

Würth Elektronik eiSos GmbH & Co KG  
 D – 74638 Waldenburg  
 Max-Eyth-Straße 1  
 Tel.: 0049 7942-945-0 / Fax: 0049 7942-945-400  
[www.we-online.de](http://www.we-online.de)