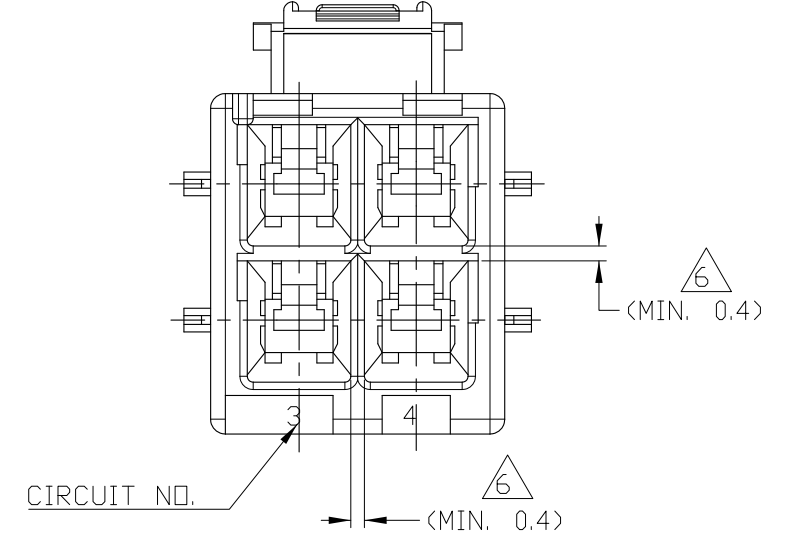
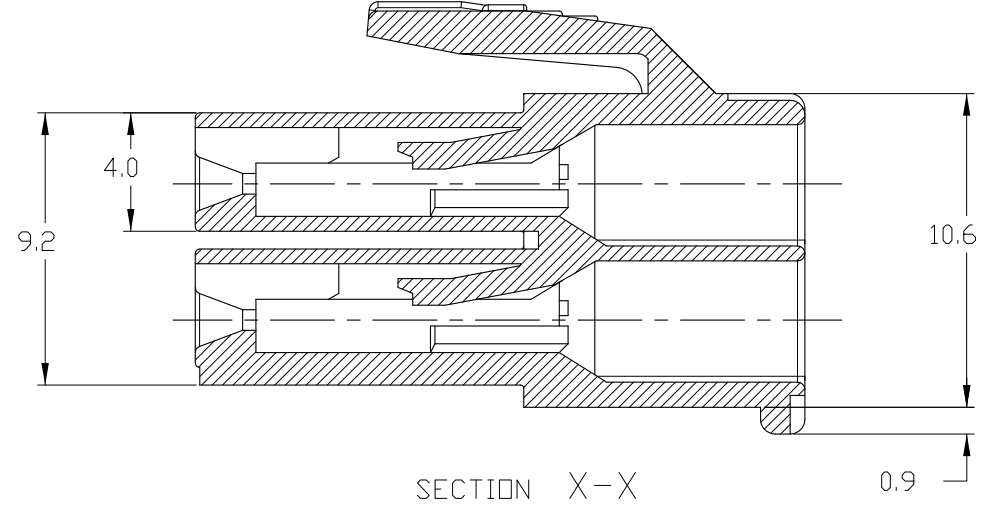
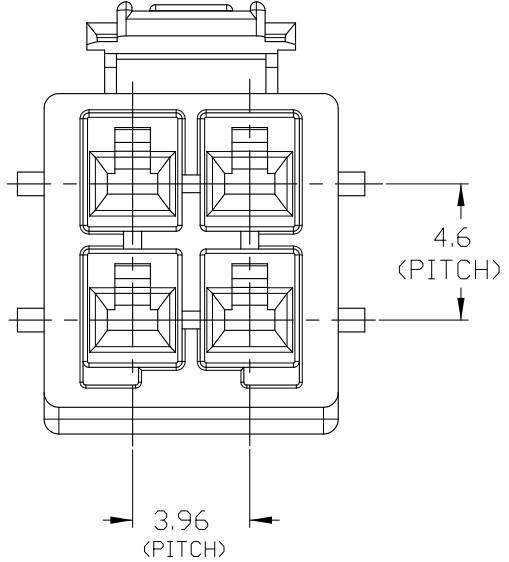
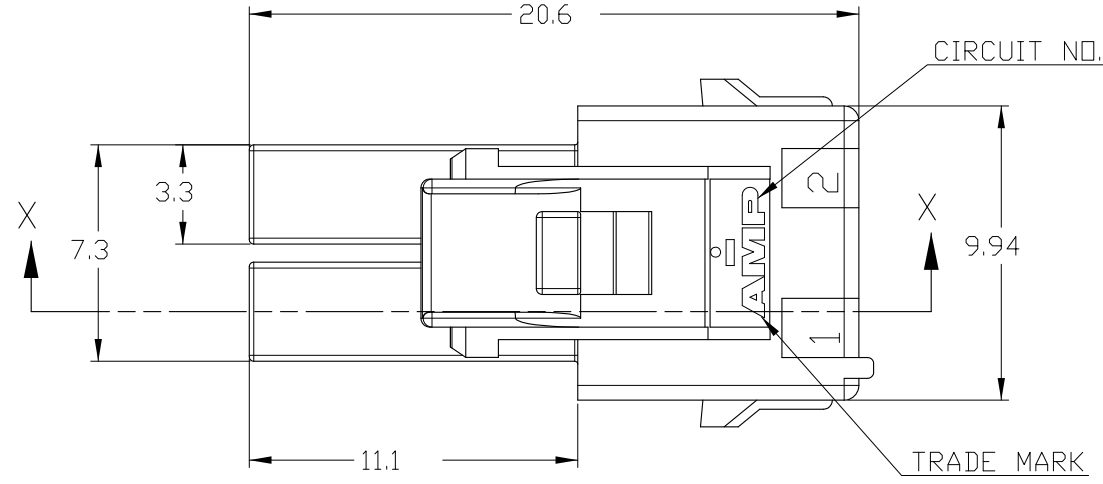


THIS DRAWING IS UNPUBLISHED. RELEASED FOR PUBLICATION 20  
 © COPYRIGHT 20 BY TYCO ELECTRONICS CORPORATION. ALL RIGHTS RESERVED.

LOC	DIST	REVISIONS			
P	LTR	DESCRIPTION	DATE	DWN	APVD
DS	-				
	C	REVISED (ECR-08-026136)	02.MAR'09	SC	JK
	C1	REVISED (ECR-09-011788)	25.MAY'09	SC	JK

NOTE;  
 1.APPLICABLE CONTACT P/N  
 -REC CONTACT:177915- □(AWG#16-#20)  
 :177914- □(AWG#22-#26)  
 2.MATING CONN.P/N  
 -CAP HSG: □-368587-□(FREE HANGING)  
 □-368589-□(PANEL MOUNT)  
 -TAB CONTACT:177917- □(AWG#16-#20)  
 177916- □(AWG#22-#26)  
 -PC BOARD MOUNT:179840- □  
 3.APPLICABLE DOUBLE LOCK PLATE:  
 177918-1(V-□) OR □-368590-1(V-2,GWT)  
 \*IT SHOULD BE USED CERTAINLY WHEN CABLE ASS'Y  
 4.GENERAL TOLERANCES:±0.3  
 5.ACCORDING TO IEC 60335-1 4.2 EDITION  
 -PART MEETS GWT 750° & 850°C.  
 -MATERIAL MEETS BALL PRESSURE TESTING AT 125°C.  
 -MATERIAL HAS CTI VALUE OF 250V.  
 △MIN.THICKNESS OF INSULATING WALL



1-368575-6	© PA66 UL94V-0	BLUE
1-368575-4		YELLOW
1-368575-2		RED
1-368575-1		NATURAL
368575-6	© PA66 UL94V-2	BLUE
368575-4		YELLOW
368575-2		RED
368575-1		NATURAL
P/N	MATERIAL	COLOR

THIS DRAWING IS A CONTROLLED DOCUMENT FOR TYCO ELECTRONICS CORPORATION  
 IT IS SUBJECT TO CHANGE AND THE CONTROLLING ENGINEERING ORGANIZATION  
 SHOULD BE CONTACTED FOR THE LATEST REVISION.

DIMENSIONS:	TOLERANCES UNLESS OTHERWISE SPECIFIED:
mm	0 PLC ±
	1 PLC ±
	2 PLC ±
	3 PLC ±
	4 PLC ±
	ANGLES ±
MATERIAL	FINISH

DWN SC KIM	AMP KOREA Kyungsan, Korea			
CHK BW KANG				
APVD JK SONG	NAME			
PRODUCT SPEC 108-61106	PDL 4P PLUG HSG 3.96mm D/R (GWT)			
APPLICATION SPEC	SIZE	CAGE CODE	DRAWING NO	RESTRICTED TO
WEIGHT	A3	00779	© 368575	-
CUSTOMER DRAWING	SCALE	N/A	SHEET 1 OF 1	REV C1