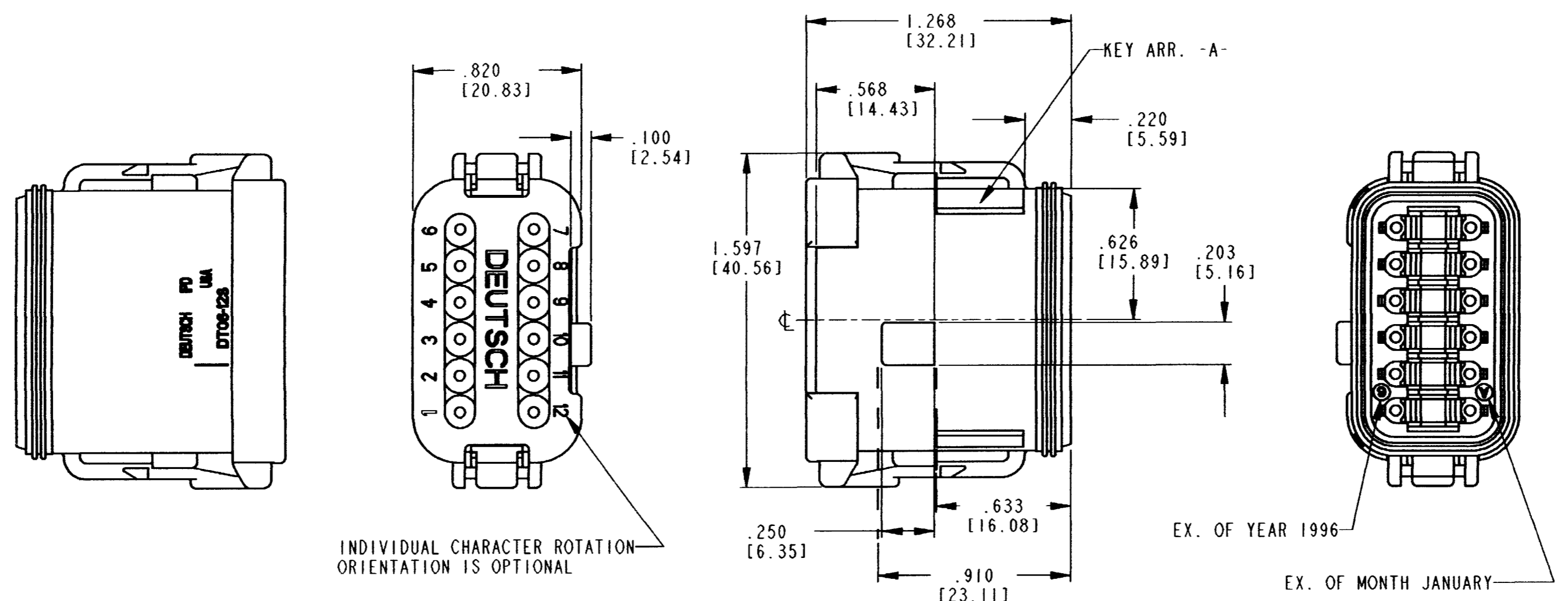


REV A	DT06-12SA-EP08	REVISIONS		
SYM	DESCRIPTION	DATE	APPROVED	
NC	NEW RELEASE PER E.O. P15844	1/11/99	R.D.R.	
A	REVISED PER E.O. P19396	10-24-06	RDR	



INDIVIDUAL CHARACTER ROTATION ORIENTATION IS OPTIONAL

PLUG INSERTS INTO RCPT. WITHIN THESE DISTANCES

DATE LEGEND

YEAR TO BE REPRESENTED BY LAST NUMERICAL DIGIT
MONTH USES SEQUENTIAL ALPHA CHARACTERS, EX: A=JANUARY...

- 7. PLUG MATES WITH DT04-12PA-****, DT13-12PA-****, DT15-12PA-****
- 6. PLUG UTILIZES WEDGE NUMBER W12S-P012, SOLD SEPARATELY.
- 5. PLUG AND CAP ARE BLACK.
- 4. FOR MORE INFO SEE ENVELOPE DWG. 0425-017-0000 AND 0425-015-0000.
- 3. CONSULT FACTORY FOR CONTACT SPECIFICATION AND APPLICATION.
- 2. ALL DIMENSION TOLERANCES ARE ±.025[.63].
- 1. ALL DIMENSIONS ARE IN INCHES [MILLIMETERS].

NOTES:

SIGNATURE & DATE		12 WAY PLUG -EP08 MOD. KEY ARR. -A- COLOR: BLACK DT SERIES	CP	MATL. CODE
DR	S. THEIS 11/25/98		The Deutsch Company	
CHK	<i>[Signature]</i> 10/25/06		DEUTSCH I.P.D. 3850 INDUSTRIAL AVE. HEMET, CALIF. 92545	
PE	<i>[Signature]</i> 10/24/06		B DT06-12SA-EP08	
APPD	<i>[Signature]</i> 10/24/06		DWG SIZE	CODE 11139
SCALE	NONE	WT	ENVELOPE	