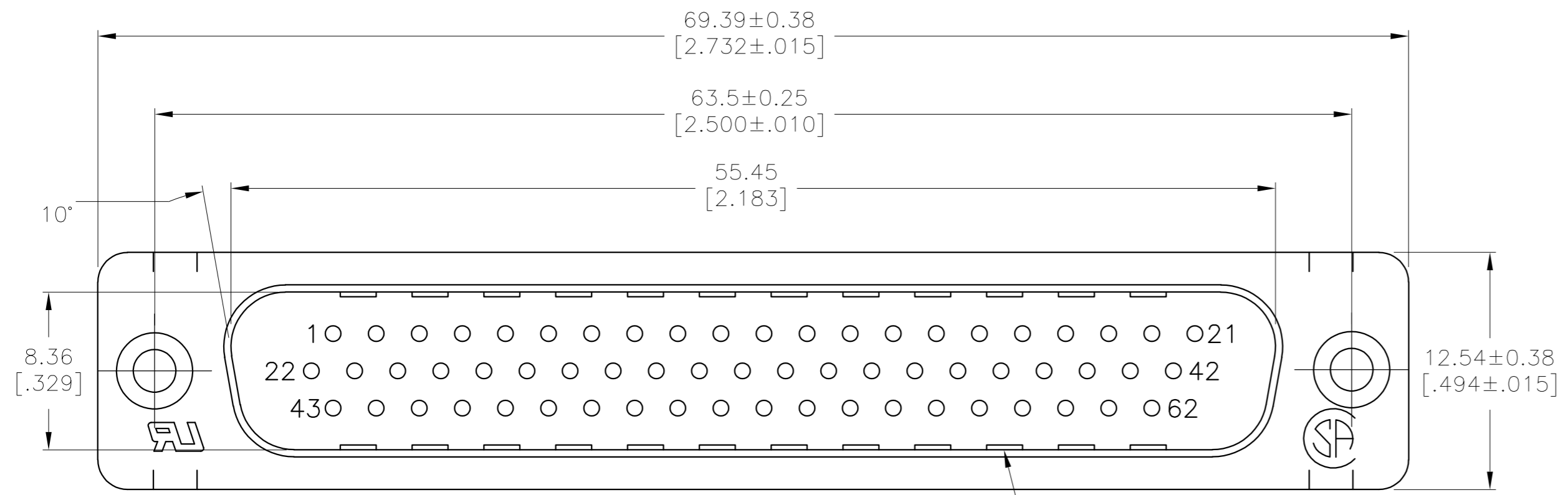
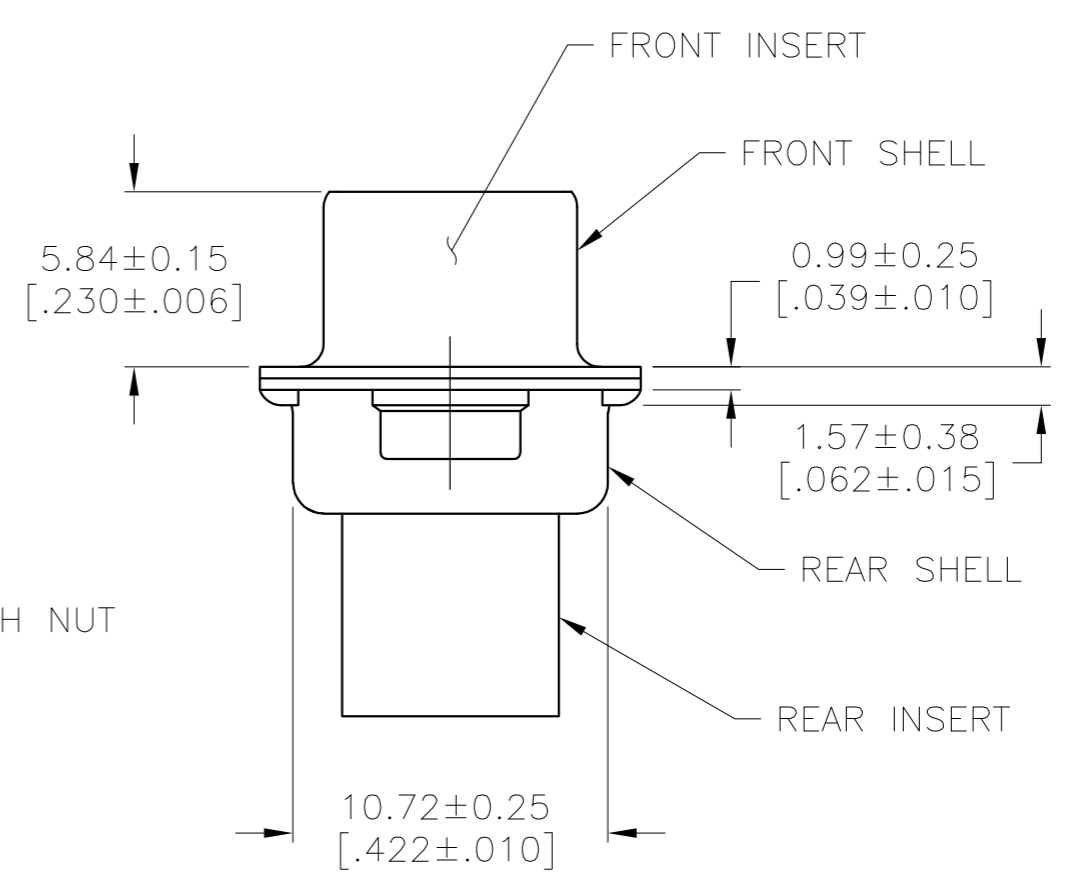
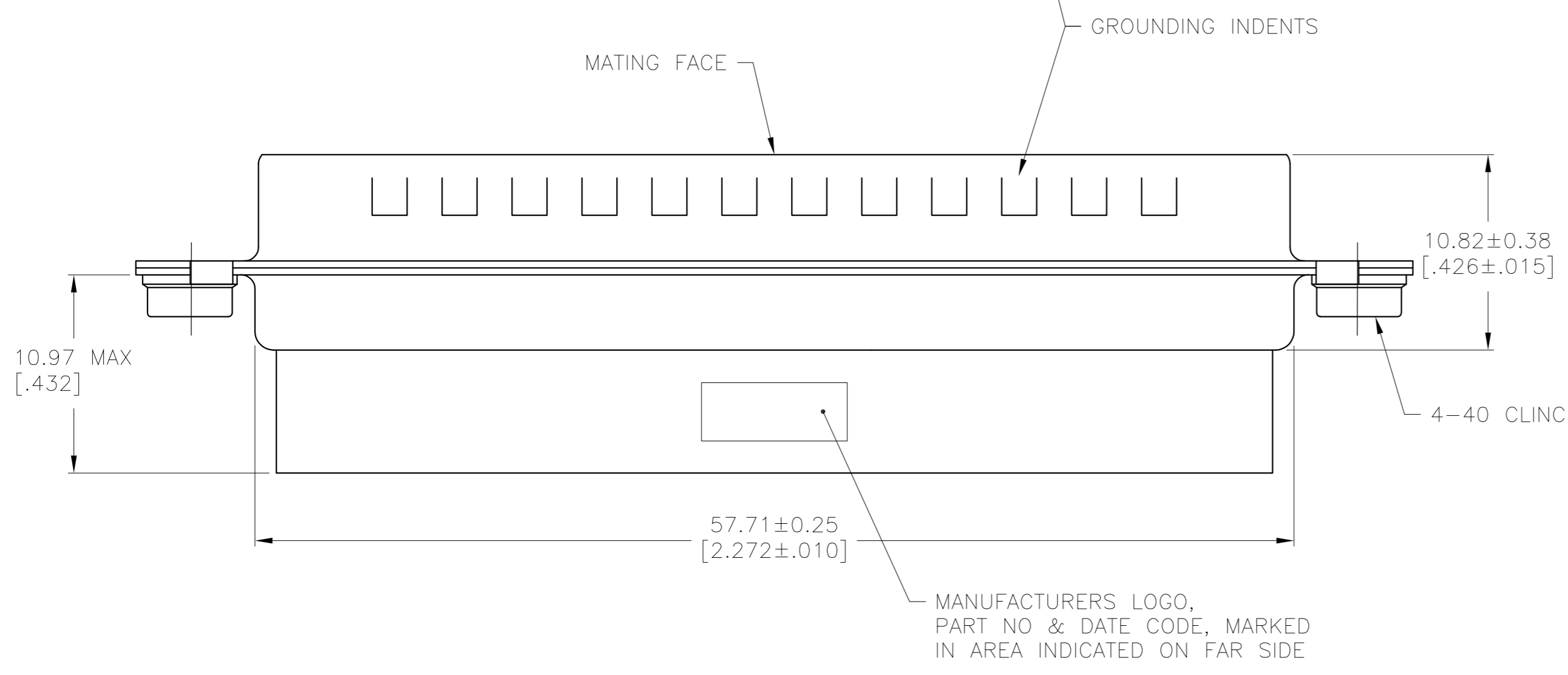


THIS DRAWING IS UNPUBLISHED. RELEASED FOR PUBLICATION
 © COPYRIGHT - By - ALL RIGHTS RESERVED.

LOC	DIST	REVISIONS			
P	LTR	DESCRIPTION	DATE	DWN	APVD
GP	00				
	A	REVISED PER ECO-11-002006	14APR2011	CJV	CWR



- △ INSERTS: GLASS FILLED NYLON, UL 94V-0 RATED, COLOR BLACK.
SHELLS: CARBON STEEL PER ASTM A109.
CLINCH NUTS: CARBON STEEL PER ASTM A108.
- △ SHELLS: 0.00508 [.000200] MIN TIN OVER 0.00254 [.000100] MIN COPPER.
CLINCH NUTS: CLEAR CHROMATE OVER ZINC.
- 3. CONNECTOR ACCEPTS SIZE 22 DF PIN CONTACTS. RETENTION TINES ARE AN INTEGRAL PART OF INSERT.



6658293-1
 PART NUMBER

**COPYRIGHT 2005
 TYCO ELECTRONICS CORP
 ALL RIGHTS RESERVED**

THIS DRAWING IS A CONTROLLED DOCUMENT.		DWN G. ATTADIA - DOCK5 11-12-04	TE Connectivity	
DIMENSIONS: mm [INCHES]		CHK J. GERACE 11-12-04	NAME M. WALMSLEY 11-12-04	
TOLERANCES UNLESS OTHERWISE SPECIFIED: 0 PLC ± - 1 PLC ± - 2 PLC ± 0.13[.005] 3 PLC ± - 4 PLC ± - ANGLES ± -		APVD M. WALMSLEY 11-12-04	PRODUCT SPEC APPLICATION SPEC	
MATERIAL		WEIGHT	SIZE A2	CAGE CODE 00779
FINISH		CUSTOMER DRAWING	DRAWING NO C=6658293	RESTRICTED TO
		SCALE 4:1	SHEET 1 of 1	REV A