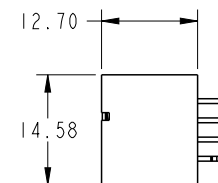
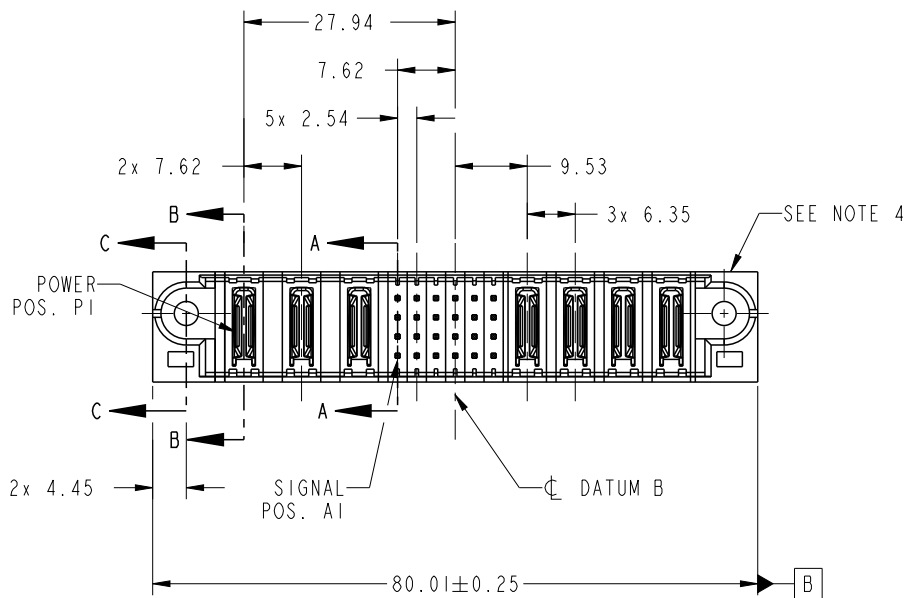


PRODUCT NO.	ROWS	POWER			SIGNAL						POWER				E2		
		E1	P1	P2	P3	1	2	3	4	5	6	P4	P5	P6		P7	
51952-276-- NOTE ③	D C B A		PA	PA	PA	E	E	E	E	E	E	E	PA	PA	PA	PA	



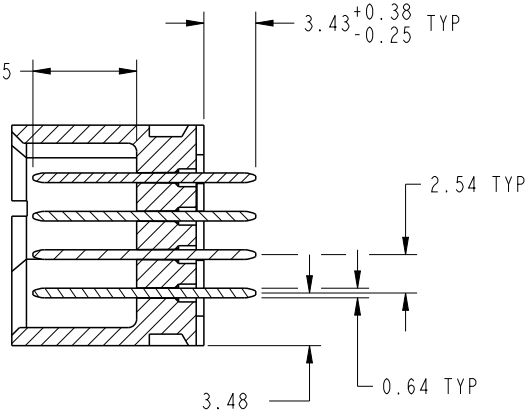
CODE	DIM "M" MATING LENGTH	CONTACT TYPE
PA	[N/A]	POWER
E	[6.86]	SIGNAL
H	[5.59]	SIGNAL
HA	[N/A]	HOLD-DOWN

spec ref	See Notes			dr	Ruan MT	2014/03/12	projection 	MM ←→	size	A4	scale	1:1	
tolerance std	TOLERANCES UNLESS OTHERWISE SPECIFIED			eng	De-Ming Lu	2014/03/20			ecn no	ELX-DG-17264-1			
See Notes				chr	-	-			product family	PwrBlade		rel level	Released
surface	linear	0.X	±0.50		www.fci.com	3ACP + 24S + 4P VERTICAL SOLDER HEADER	cat. no.	*	Product - Customer Drw	dwg no	51952-276	rev	B
		0.XX	±0.25									sheet 1 of 4	
	angular	0°	±2°										

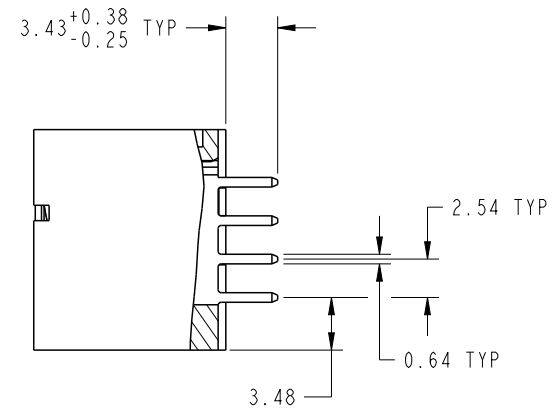
PRODUCT NUMBER

51952-276--
NOTE 3

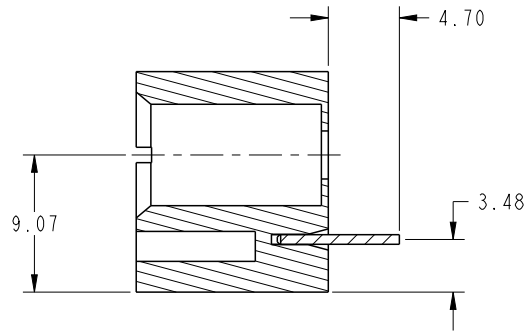
DIM "M" ±0.25



SECTION A-A
SCALE 2:1



SECTION B-B
SCALE 2:1



SECTION C-C
SCALE 2:1

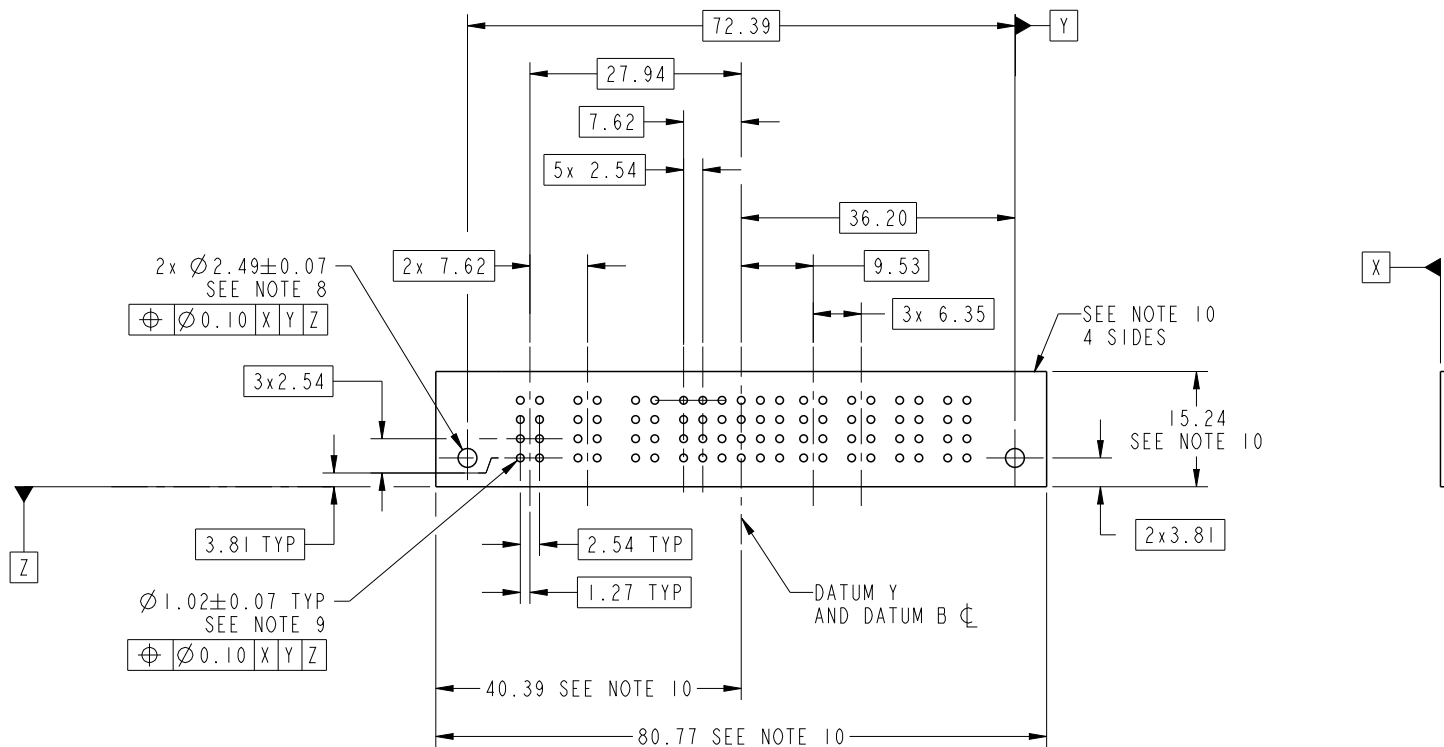
dr	Ruan MT	2014/03/12	projection 	MM 	size	A4	scale	1:1			
eng	De-Ming Lu	2014/03/20			ecn no	ELX-DG-17264-1					
chr	-	-			product family	PwrBlade	rel level	Released			
appr	Pei-Ming Zheng	2014/03/20			title	3ACP + 24S + 4P		dwg no	51952-276	rev	B
www.fci.com		cat. no.	*	Product - Customer Drw			sheet 2 of 4				



Copyright FCI.

PRODUCT NUMBER

51952-276--
NOTE 3



RECOMMENDED PCB LAYOUT

dr	Ruan MT	2014/03/12	projection 	MM 	size	A4	scale	1:1
eng	De-Ming Lu	2014/03/20			ecn no	ELX-DG-17264-1		
chr	-	-			rel level	Released		
appr	Pei-Ming Zheng	2014/03/20	product family	PwrBlade		rev	B	
		title		3ACP + 24S + 4P		dwg no		51952-276
www.fci.com		cat. no.		*		Product - Customer Drw		sheet 3 of 4
		VERTICAL SOLDER HEADER						

PRODUCT NUMBER

51952-276__
NOTE 3

NOTES:

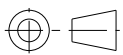
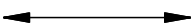
1. DIMENSIONS AND TOLERANCES ARE IN ACCORDANCE WITH ASME Y14.5M, 1994 UNLESS OTHERWISE SPECIFIED.

CONNECTOR NOTES:

- 2 HOUSING MATERIAL: UL 94 V-0 GLASS FILLED HIGH-TEMP THERMOPLASTIC
POWER CONTACT MATERIAL: COPPER ALLOY
SIGNAL PIN MATERIAL: COPPER ALLOY
 - 3. SEE ITEM 1 & 2 IN PRINT 10064183 FOR PLATING SPEC OF 51952-276 AND 51952-276LF RESPECTIVELY.
 - 4 MANUFACTURER'S NAME, DATE CODE AND OPTIONAL P/N TO APPEAR ON THIS SURFACE. THE MARK CAN BE OMITTED IF THERE IS NOT ENOUGH SPACE ON THIS SURFACE.
 - 5. PRODUCT SPECIFICATION GS-12-149.
APPLICATION SPECIFICATION BUS-20-067.
 - 6. PACKAGED IN TRAYS.
- PCB NOTES:
- 7. ALL HOLE DIAMETERS ARE FINISHED HOLE SIZE.
 - 8. MOUNTING HOLES, WHERE APPLICABLE, ARE UNPLATED.

9 $\varnothing 1.151 \pm 0.025$ DRILLED HOLES PLATED WITH 0.008 MIN SnPb OR Sn OVER .001 [0.03] TO 0.08 Cu PLATING TO ACHIEVE $\varnothing 1.02 \pm 0.07$ HOLE.

10 CONNECTOR KEEP-OUT ZONE.

dr	Ruan MT	2014/03/12	projection 	MM 	size	A4	scale	1:1			
eng	De-Ming Lu	2014/03/20			ecn no	ELX-DG-17264-1					
chr	-	-			product family	PwrBlade	rel level	Released			
appr	Pei-Ming Zheng	2014/03/20	FCj		title	3ACP + 24S + 4P VERTICAL SOLDER HEADER		dwg no	51952-276	rev	B
www.fci.com		cat. no.	*	Product - Customer Drw			sheet 4 of 4				



Copyright FCI.