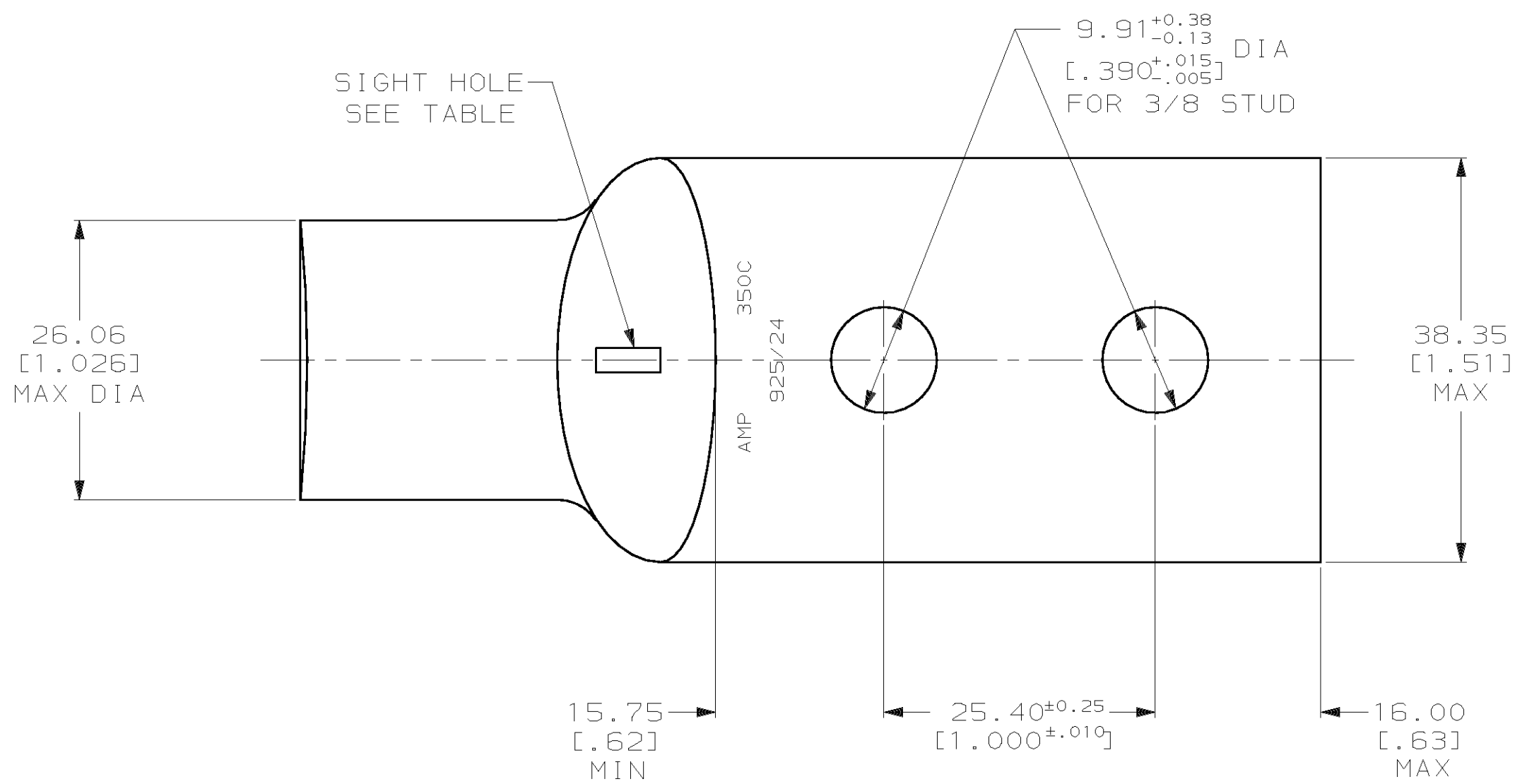
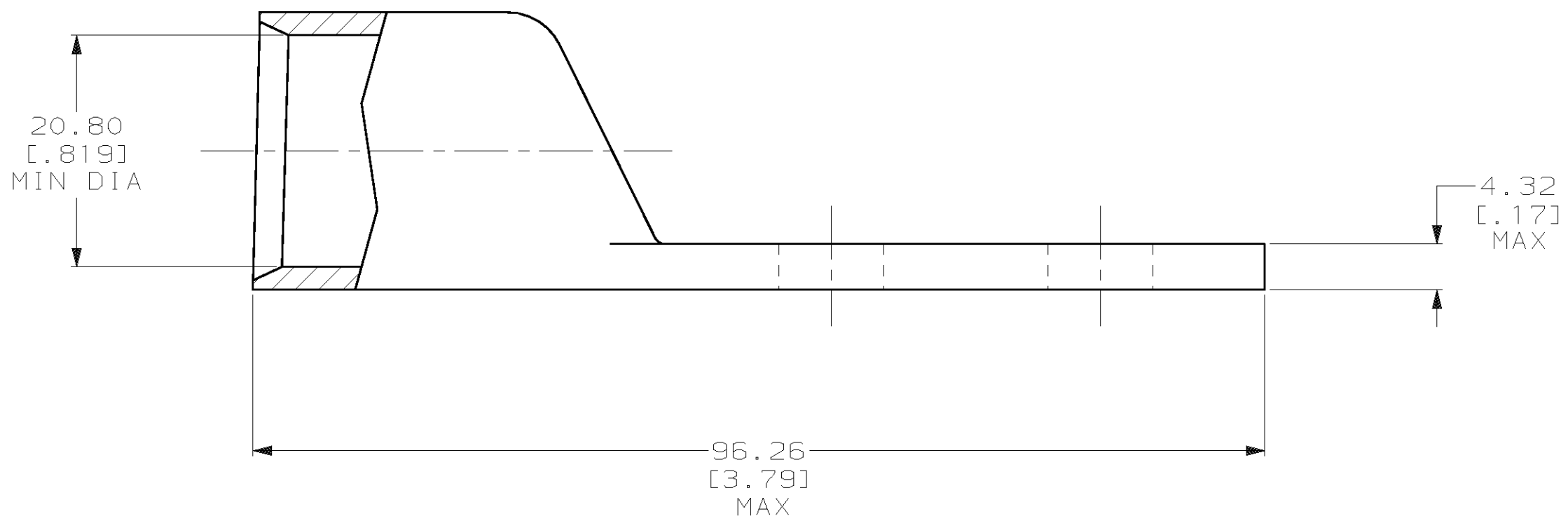


THIS DRAWING IS UNPUBLISHED. RELEASED FOR PUBLICATION, 19 .  
 © COPYRIGHT 19 BY AMP INCORPORATED. ALL INTERNATIONAL RIGHTS RESERVED.

LOC		DIST		P		F		ZONE		LTR		REVISIONS		DATE	APPD
G		86								U		REV PER 0G3A-0561-01		09OCT02	JR/MS



1 CIRCULAR MIL AREA RANGE: 325-375 MCM  
 2 TIN PL 0.00381 [0.000150] MIN THK PER MIL-T-10727



NONE		326806-1	
REQUIRED		326806	
SIGHT HOLE		PART NO	
AMP INCORPORATED Harrisburg, Pa. 17105			
DO NOT SCALE PRINT. UNLESS SPECIFIED DIMENSIONS IN mm [INCHES] TOLERANCES ON : 2 PLC DEC ± 0.51 [0.020] 3 PLC DEC ± - ANGLES ± -		DR 02/28/90 DK SCHRUM CHK 23JAN95 MS FEHER APPD 23JAN95 WJ VOCKROTH	
MATERIAL ANNEALED COPPER ASTM B-75		APPD 23JAN95 TL SHUTTER PRODUCT SPEC 108-30200	
FINISH 		APPLICATION SPEC -	
WEIGHT .259 LB		SCALE 2:1	
NAME TERMINAL, AMPPOWER™ WIRE SIZE: 350 MCM		DRAWING NO 326806	
SIZE C		CAGE CODE 00779	
SHEET 1 OF 1		SHEET 1 OF 1	

