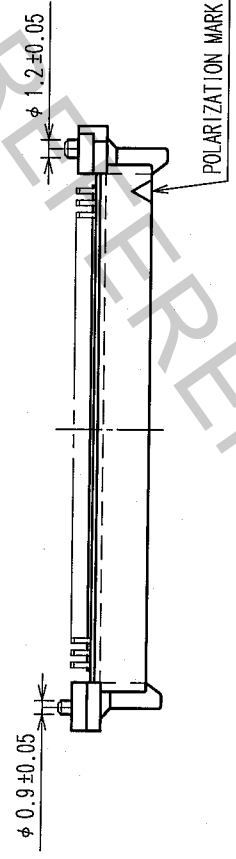
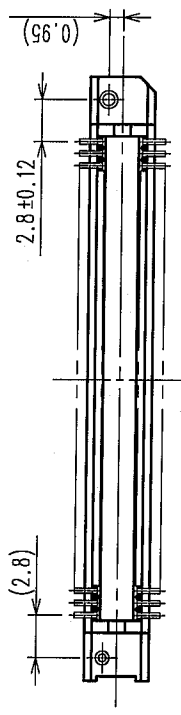
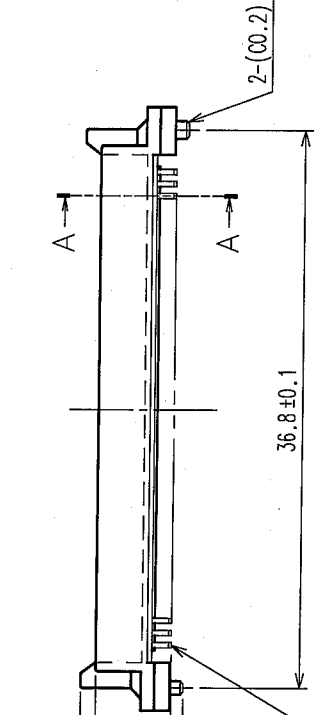
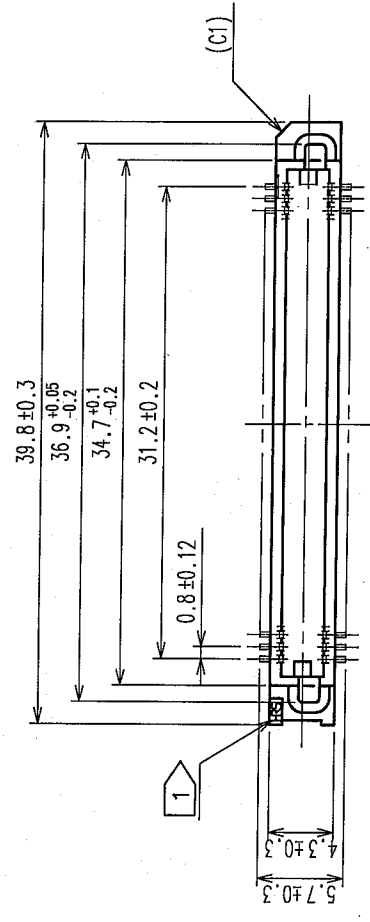
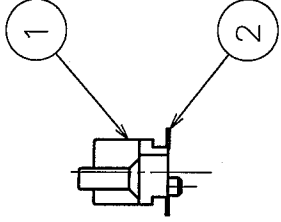
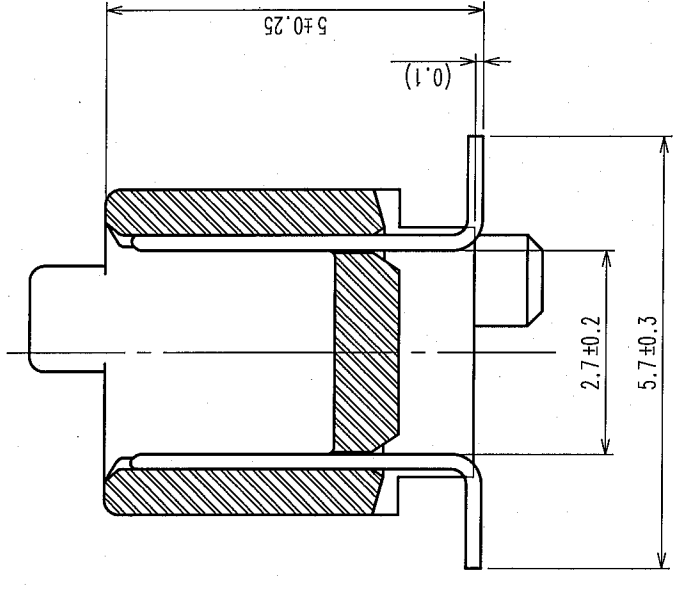
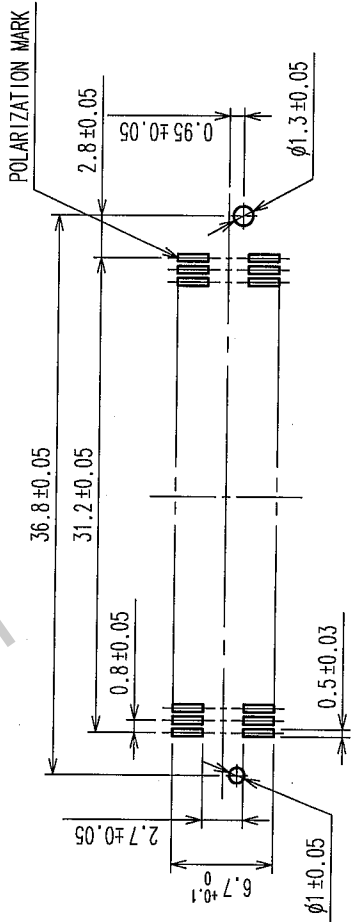


COUNT	DESCRIPTION OF REVISIONS	BY	CHKD	DATE	COUNT	DESCRIPTION OF REVISIONS	BY	CHKD	DATE
△					△				
△					△				
△					△				

A-A (10:1)



RECOMMENDED LAND PATTERN DIMENSION OF PCB (MOUNTING SIDE)



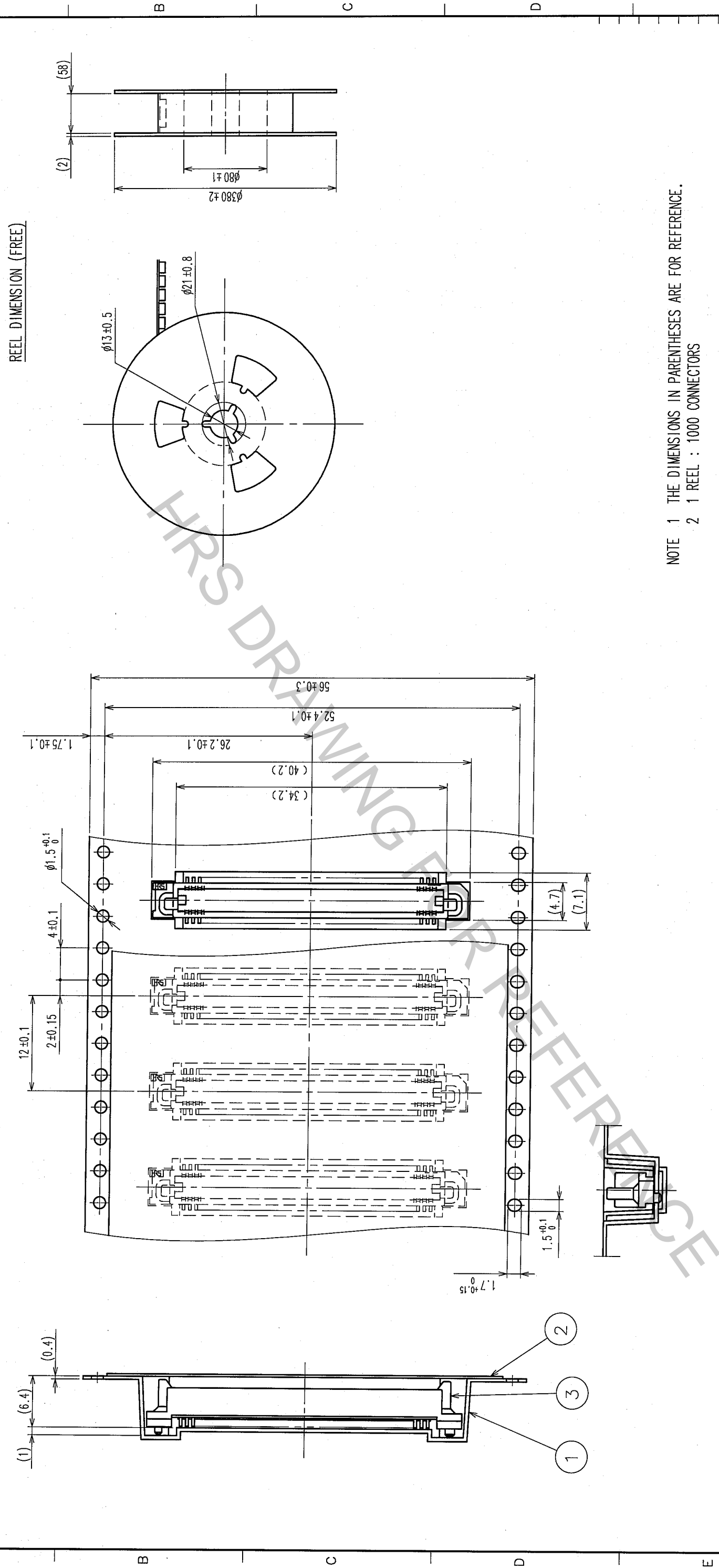
- NOTE
- 1 HRS MARK SHALL BE OPTIONAL.
 - 2 LEAD CO-PLANARITY SHALL BE 0.1mm MAX.
 - 3 EMBOSSED CARRIER TAPE PACKAGING SHALL BE APPLIED TO THIS PRODUCT. SEE NEXT PAGE FOR DETAILS.
 - 4 FOR MODIFICATION, ETC., PREVENTIVE HOLE FOR SINK MARK MAY BE ADDED ACCORDING TO CIRCUMSTANCES.
 - 5 THE DIMENSIONS IN PARENTHESES ARE FOR REFERENCE.

1	PPS	LIGHT BROWN	UL94V-0	2	PHOSPHOR BRONZE					CONTACT AREA : GOLD 0.1μm min. LEAD AREA : TIN-PLATING 1μm min. UNDER PLATING : NICKEL 1μm min.
NO.	MATERIAL	FINISH, REMARKS	NO.	MATERIAL	FINISH, REMARKS					
CODE NO. (OLD) CL			DRAWN T. YANAGISAWA	DESIGNED H. Nakamura	CHECKED K. Ogawa	APPROVED H. Obara	RELEASED			
			'06.02.23	'06.02.23	'06.02.24	'06.02.24				
DRAWING NO. EDC3-084972-22		PART NO. FX6-80P-0.8SV1(92)								
SCALE 2:1										
UNITS ITTT	HIROSE ELECTRIC CO., LTD			CODE NO. CL576-0027-7-92						1/2

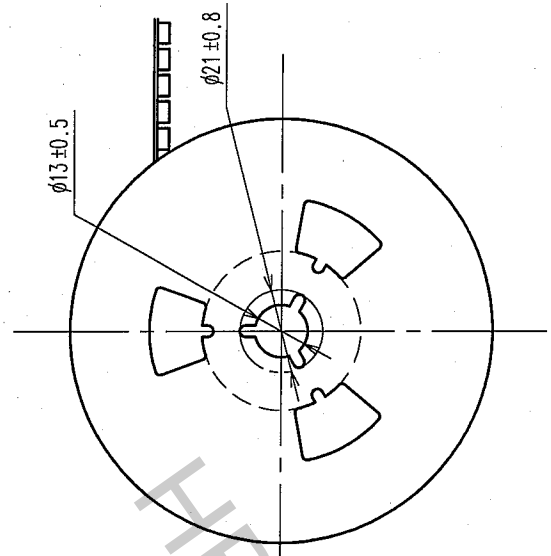
TO			
----	--	--	--

COUNT	DESCRIPTION OF REVISIONS	BY	CHKD	DATE	COUNT	DESCRIPTION OF REVISIONS	BY	CHKD	DATE

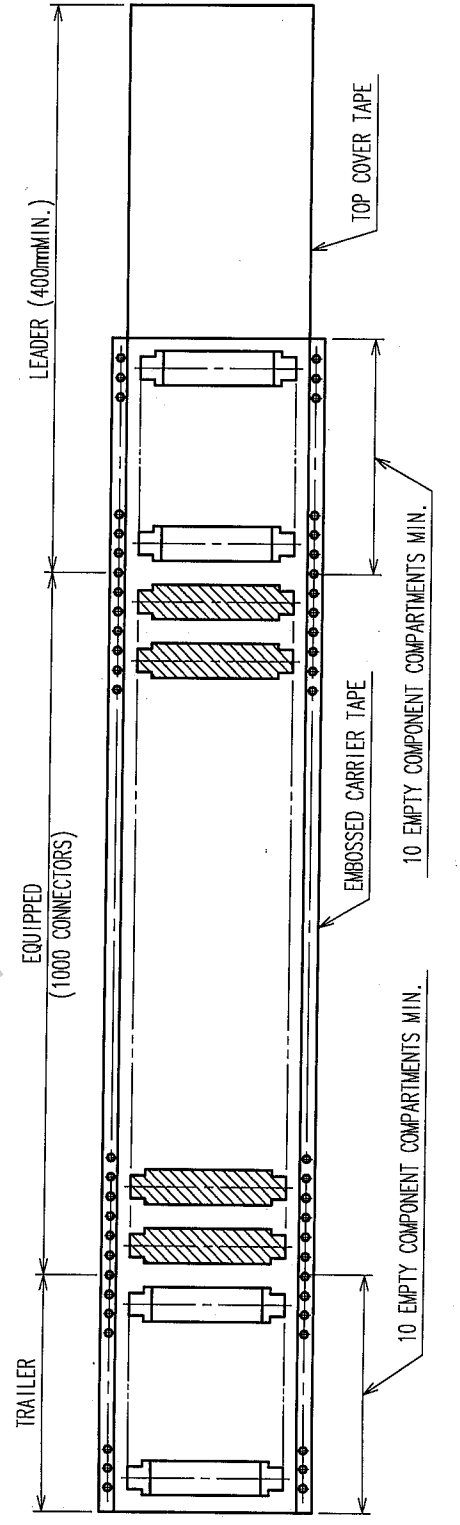
UNREELING DIRECTION



REEL DIMENSION (FREE)



NOTE 1 THE DIMENSIONS IN PARENTHESES ARE FOR REFERENCE.
2 1 REEL : 1000 CONNECTORS



NO.	MATERIAL	FINISH, REMARKS	NO.	MATERIAL	(CONNECTOR)
2	POLYESTER	TOP COVER TAPE	3		
1	POLYSTYRENE	EMBOSSED CARRIER TAPE			

CODE NO. (OLD)	CL	DRAWN	DESIGNED	CHECKED	APPROVED	RELEASED
		T. YANAGISAWA	H. NAGASAWA	K. OYAMA	H. OKANO	
		'06.02.23	'06.02.23	'06.02.24	'06.02.24	

DRAWING NO.	PART NO.
EDC3-084972-22	FX6-80P-0.8SV1(92)

SCALE	UNITS	CODE NO.
2 : 1	ITTT	CL576-0027-7-92

TO