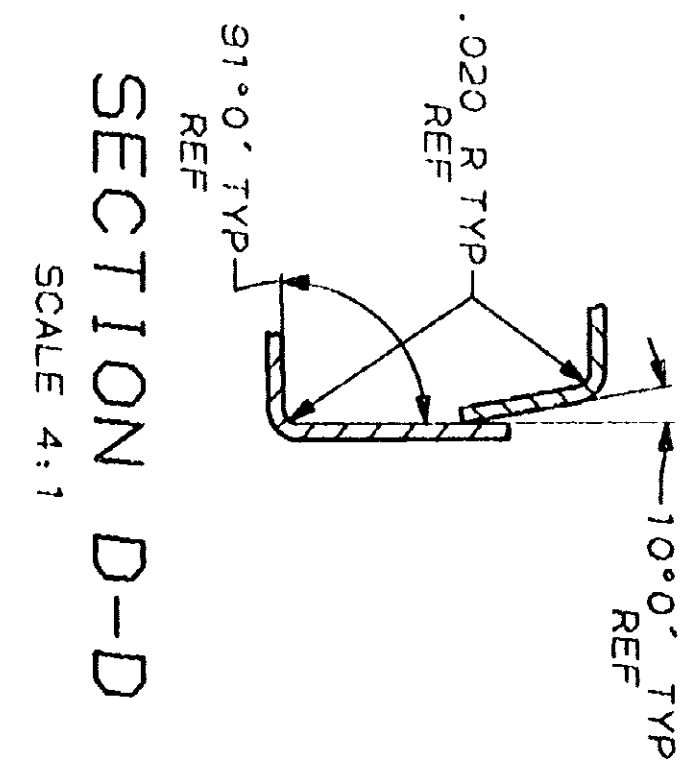
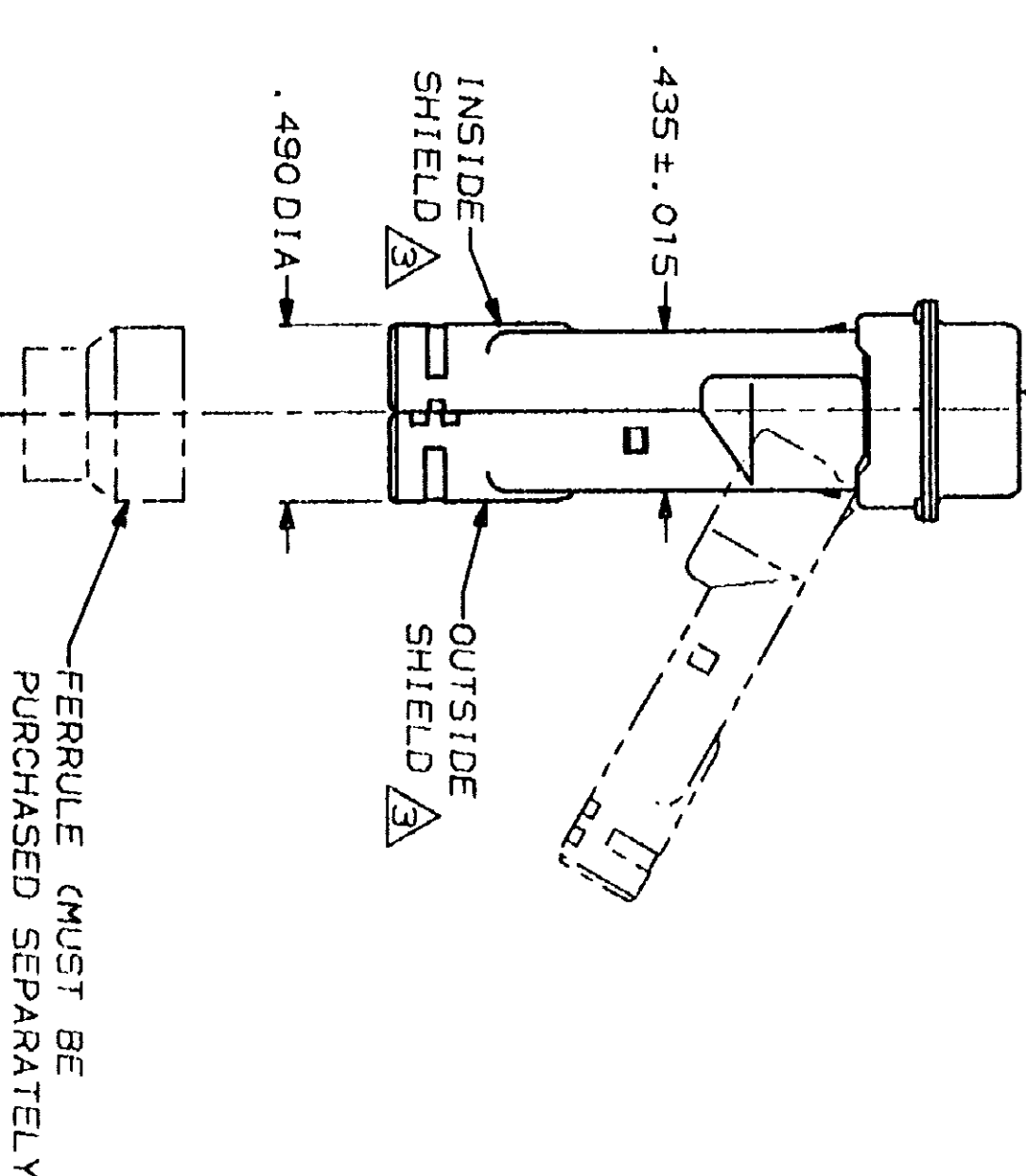
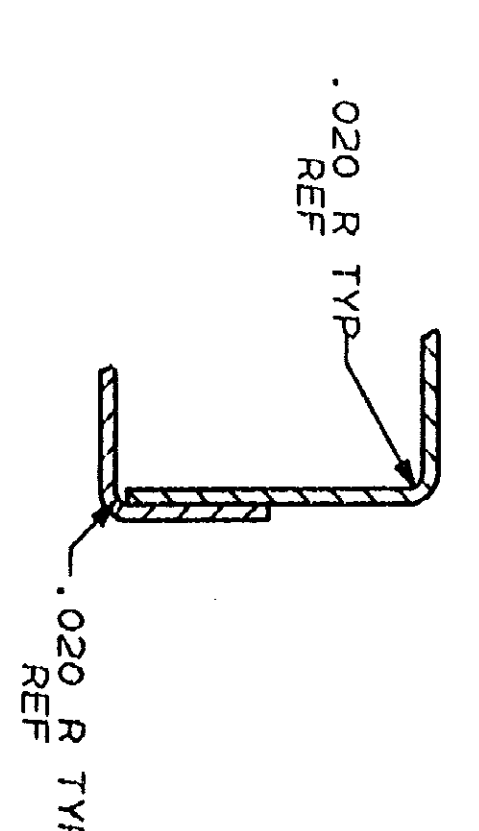


PLUG CONNECTOR
 INSERTS: BLACK GLASS-FILLED NYLON, 94V-0 RATED.
 SHELLS: STEEL PER ASTM A109, BRIGHT TIN PLATED PER MIL-T-10727.



SECTION D-D
 SCALE 4:1



SECTION E-E
 SCALE 4:1

- 1. PLUG ACCEPTS SIZE 20 PIN CONTACTS (CONTACTS MUST BE ORDERED SEPARATELY).
- 2. ALL PARTS SHIPPED UNASSEMBLED, EACH PART INDIVIDUALLY BULK PACKED.
- 3. SHIELDS: MATERIAL-.020 THICK STEEL, TIN PLATED PER MIL-T-10727.
- 4. RAISED CAVITY IDENTIFICATION AND AMP TRADEMARK.
- 5. SEE RESTRICTED CUSTOMER DRAWING 747577-2.

REV	DATE	APP'D	DESCRIPTION
1	6-1-80		
2	08/21/80		
3	6-6-82		
4	7-5		

747577-1	PART NUMBER
5	

DR 6-1-80	J GALLUCCI BS	NAME	AMP INCORPORATED
CHK 8-31-80	J MCCLINTON	ADDRESS	Northborough, Pa. 17106
APP'D 9-4-80	908 TAYLOR	DATE	6-1-80
APP'D 9-4-80	J JASSINI	REV	08/21/80
PRODUCT SPEC		DATE	6-6-82
		DATE	7-5
FINISH	SEE CALL OUT	SCALE	2:1
SIZE	D	SCALE	2:1
FSOM NO	00779	DRAWING NO	747577
WEIGHT		SHEET	1 OF 1

CUSTOMER DRAWING