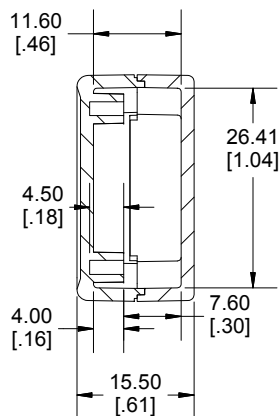
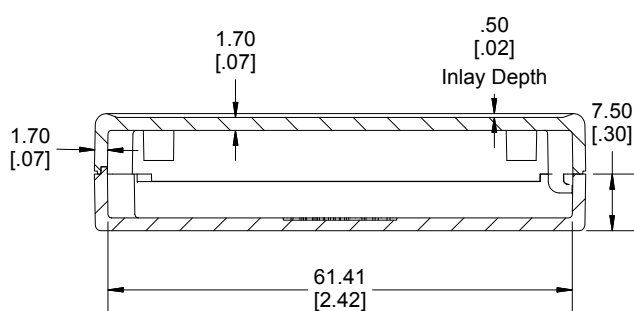
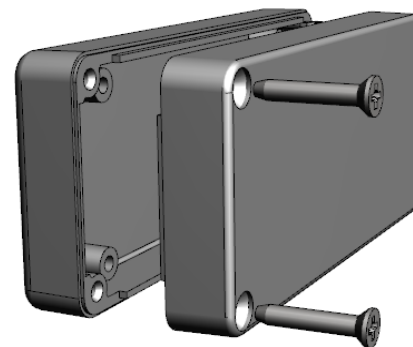


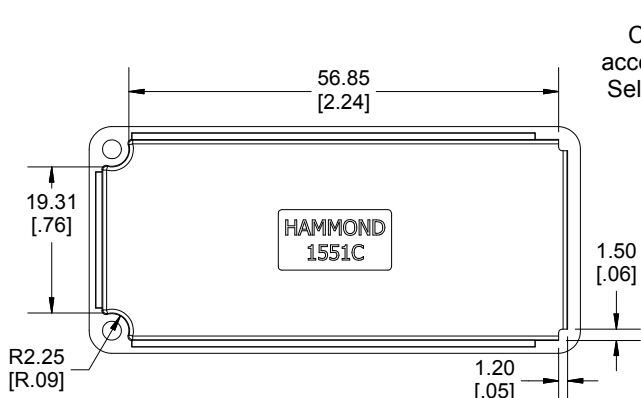
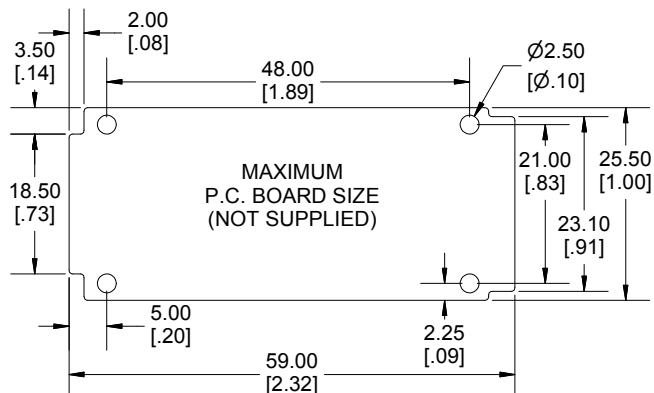
TOP VIEW



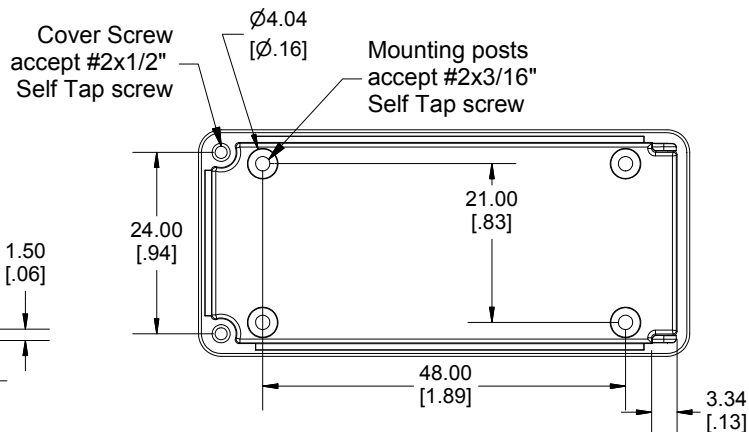
SECTION A-A



SECTION B-B



INSIDE BOTTOM



INSIDE TOP

Enclosures can be Factory Modified (Milling, Drilling, Printing etc.)
Contact Factory mjm@hammondmfg.com for quotes
Solid models of this enclosure available in STEP or IGES.
(Part number and text placement/orientation on our products are subject to change,
we do not recommend using them as a locating reference for modification purposes)

NOTE

Purchased assembly includes box, lid, 2 cover screws.
Enclosure molded from general purpose ABS Plastic.
Other materials / colours available consult factory.

Recommended Torque : (35-43) Ozf.in / (25-30) cN.m

PART NUMBERS

| 1551C Enclosure | |
|---|----------------------|
| Black Enclosure - Ral 9011 - UL94 - HB | 1551CBK |
| Gray Enclosure - RAL 7035 - UL94 - HB | 1551CGY |
| Translucent Blue - UL94 - HB | 1551CTBU |
| Translucent Clear - UL94 - HB | 1551CCLR |
| Translucent Smoke - UL94 - HB | 1551CTSK |
| Translucent Red - UL94 - HB | 1551CTRD |
| ACCESSORIES | |
| P.C. Board Plastite Self Tapping Screw [#2 x 3/16" self-tapping (4.8mm)] | 1553WTS100 (Pkg 100) |
| Plated Cover Screws #2 X 1/2" Self-tapping | 1551USB50 (Pkg 50) |
| Black Cover Screws #2 X 1/2" Self-tapping | 1551USB50BK (Pkg 50) |

**HAMMOND
MANUFACTURING**

1551C

www.hammondmfg.com

Dimensions:
mm
[inches]