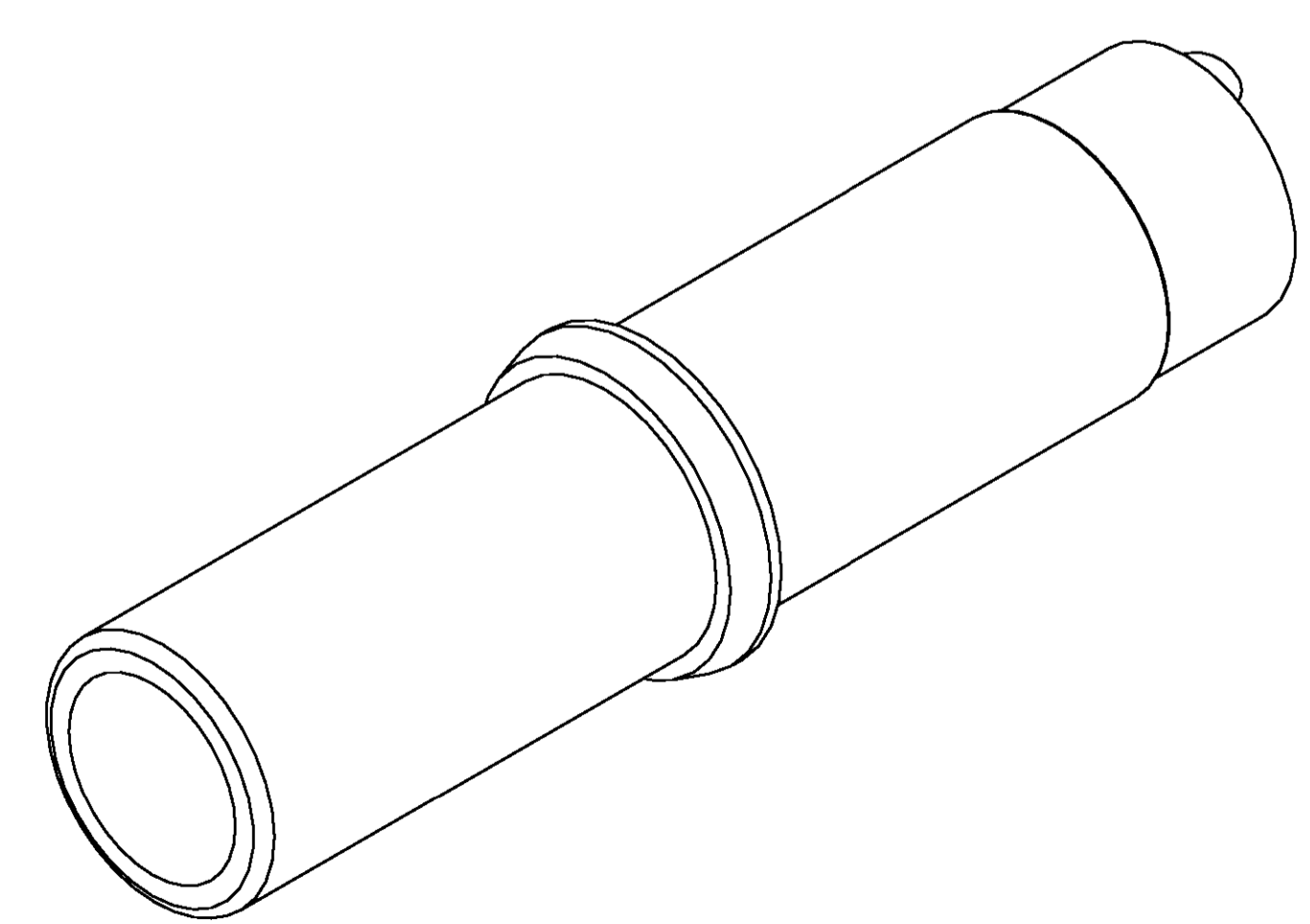
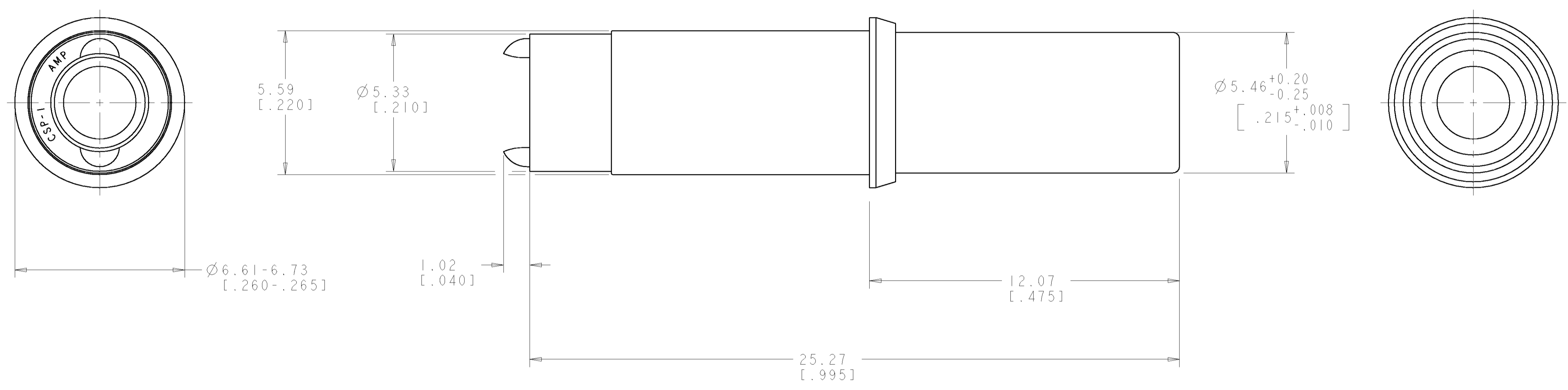


LOC	DIST	REVISIONS			
P	LTR	DESCRIPTION	DATE	DWN	APVD
C		REVISED PER 0638-0341-02	14-APR-03	KW	DC

1. MATES WITH CAP 480350, 480351, OR 480401.
 2. MATERIAL - NYLON, UL94V-2, WEATHER RESISTANT, BLACK.



SCALE 8:1

METRIC

1-480400-0
 PART NUMBER

<small>THE DIMENSIONS TO WHICH THIS DRAWING IS REFERRED ARE THE DIMENSIONS OF THE PARTS AS SHOWN UNLESS OTHERWISE SPECIFIED. THIS IS THE PROPERTY OF TYCO ELECTRONICS CORPORATION. IT IS TO BE KEPT IN CONFIDENCE AND NOT TO BE REPRODUCED OR TRANSMITTED IN ANY FORM OR BY ANY MEANS, ELECTRONIC OR MECHANICAL, INCLUDING PHOTOCOPYING, RECORDING, OR BY ANY INFORMATION STORAGE AND RETRIEVAL SYSTEM, WITHOUT THE WRITTEN PERMISSION OF TYCO ELECTRONICS CORPORATION.</small>		DWN: B. WHITAKER 14-APR-2003 CHK: D. COLEY 14-APR-2003 APVD: D. COLEY 14-APR-2003	tyco Electronics Tyco Electronics Harrisburg, PA 17105-3608
DIMENSIONS: mm [INCHES]	TOLERANCES UNLESS OTHERWISE SPECIFIED: 0 PLC ± 1 PLC ± 2 PLC ±0.13 (.005) 3 PLC ± 4 PLC ± ANGLES ±40° 30'	PRODUCT SPEC APPLICATION SPEC WEIGHT FINISH	NAME: SINGLE CIRCUIT MATE-N-LOK™ PLUG SIZE: A CAGE CODE: 00779 DRAWING NO: C-480400 RESTRICTED TO: - SCALE: 10:1 SHEET: 1 OF 1 REV: C
MATERIAL: - FINISH: -		CUSTOMER DRAWING	