

PROTECTION PRODUCTS - RailClamp®

Description

RClamp®3344T is a low voltage RailClamp which can provide ESD protection to IEC 61000-4-2 on high-speed ports. It is manufactured using Semtech's proprietary low voltage technology, designed to minimize both the ESD peak clamping and TLP clamping voltage. These devices “snap-back” to a low on-state voltage when the breakdown voltage of the device is exceeded. This has the advantage of lowering the overall ESD clamping voltage. When the device is in the on-state, the dynamic resistance is typically 0.30 Ohms, further minimizing the ESD clamping. Maximum capacitance is only 0.35pF allowing the RClamp3344T to be used in applications operating in excess of 6GHz without appreciable signal attenuation. Each device will protect four lines operating at 3.3 volts.

RClamp3344T is in a 5-pin SLP1308N5T package. It measures 1.3 x 0.8mm with a nominal height of 0.40mm. The innovative flow through package design simplifies pcb layout and allows matched trace lengths for constant impedance between high speed differential lines.

The combination of low peak ESD clamping, low dynamic resistance, and innovative package design enables this device to provide the highest level of ESD protection for applications such as USB 3.0, MIPI/MDDI, and LVDS lines.

Features

- ◆ High ESD withstand Voltage: +/-**17kV** (Contact), +/-**20kV** (Air) per **IEC 61000-4-2**
- ◆ Package design optimized for high speed lines
- ◆ Protects four high-speed lines
- ◆ Flow-Through design
- ◆ Low capacitance: **0.35pF Maximum**
- ◆ Dynamic Resistance: **0.30 Ohms Typical**
- ◆ Low ESD clamping voltage
- ◆ Operating voltage: **3.3V**
- ◆ Solid-state silicon-avalanche technology

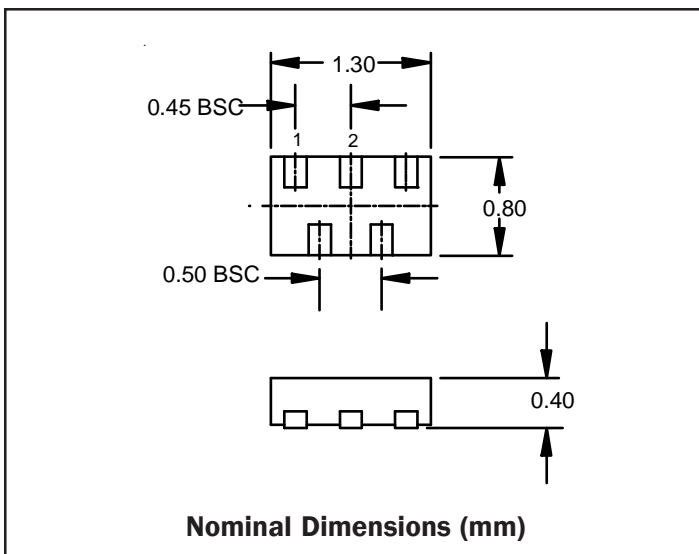
Mechanical Characteristics

- ◆ SLP1308N5T 5-pin package (1.3 x 0.8 x 0.40mm)
- ◆ Pb-Free, Halogen Free, RoHS/WEEE Compliant
- ◆ Lead finish: NiPdAu
- ◆ Marking: Marking Code
- ◆ Packaging: Tape and Reel

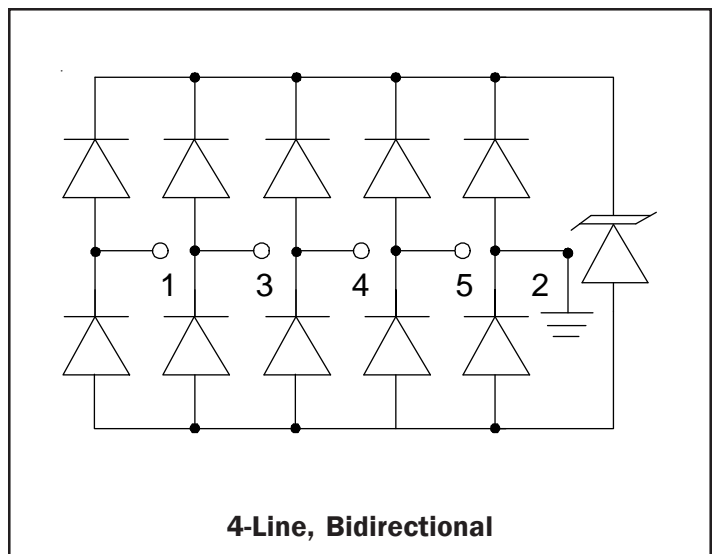
Applications

- ◆ USB 3.0
- ◆ V-By-One
- ◆ LVDS
- ◆ MIPI/MDDI
- ◆ MyDP

Dimensions



Schematic & PIN Configuration



PROTECTION PRODUCTS
Absolute Maximum Rating

Rating	Symbol	Value	Units
Peak Pulse Current (tp = 8/20μs)	I_{PP}	4	A
ESD per IEC 61000-4-2 (Air) ¹ ESD per IEC 61000-4-2 (Contact) ¹	V_{ESD}	+/- 20 +/- 17	kV
Operating Temperature	T_J	-40 to +85	°C
Storage Temperature	T_{STG}	-55 to +150	°C

Electrical Characteristics (T=25°C Unless Otherwise Specified)

Parameter	Symbol	Conditions	Minimum	Typical	Maximum	Units
Reverse Stand-Off Voltage	V_{RWM}	Any I/O to GND			3.3	V
Breakdown Voltage	V_{BR}	$I_{BR} = 10\mu A$	7.5	8.8	9.8	V
Reverse Leakage Current	I_R	$V_{RWM} = 3.3V$, T=25°C Any I/O to GND		0.01	0.05	μA
Clamping Voltage	V_C	$I_{PP} = 1A$, tp = 8/20μs Any I/O to GND		3.5	5	V
Clamping Voltage	V_C	$I_{PP} = 4A$, tp = 8/20μs Any I/O to GND		5	6.5	V
ESD Clamping Voltage ²	V_C	$I_{PP} = 16A$, t1p = 0.2/100ns		9.5		V
ESD Clamping Voltage ²	V_C	$I_{PP} = -16A$, t1p = 0.2/100ns		9.5		V
Dynamic Resistance (Positive) ^{2,3}	R_D	t1p = 0.2/100ns		0.30		Ohms
Dynamic Resistance (Negative) ^{2,3}	R_D	t1p = 0.2/100ns		0.30		Ohms
Junction Capacitance	C_J	$V_R = 0V$, f = 1MHz, Any I/O to GND		0.30	0.35	pF

Notes

1) Measured with a 20dB attenuator, 50 Ohm scope input impedance, 2GHz bandwidth. ESD gun return path connected to ESD ground plane.

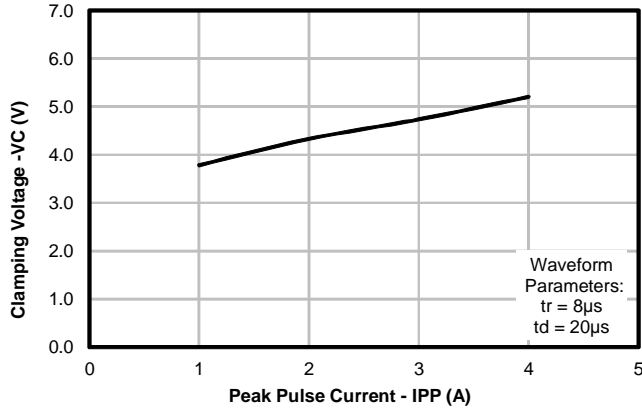
2) Transmission Line Pulse Test (TLP) Settings: $t_p = 100ns$, $t_r = 0.2ns$, I_{TLP} and V_{TLP} averaging window: $t_1 = 70ns$ to $t_2 = 90ns$. Parameters guaranteed by design.

3) Dynamic resistance calculated from $I_{TLP} = 4A$ to $I_{TLP} = 16A$

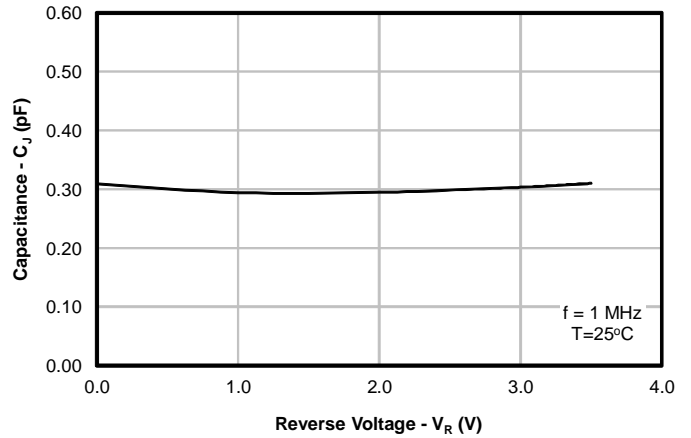
PROTECTION PRODUCTS

Typical Characteristics

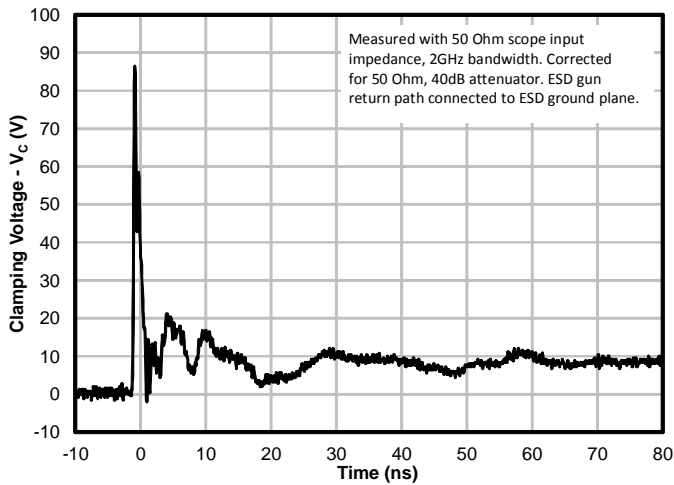
**Clamping Voltage vs. Peak Pulse Current
(Between any I/O and Ground)**



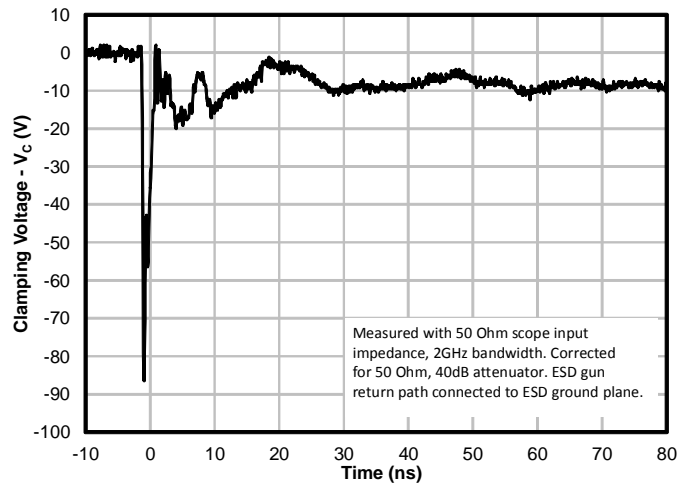
**Junction Capacitance vs. Reverse Voltage
(Between any I/O and Ground)**



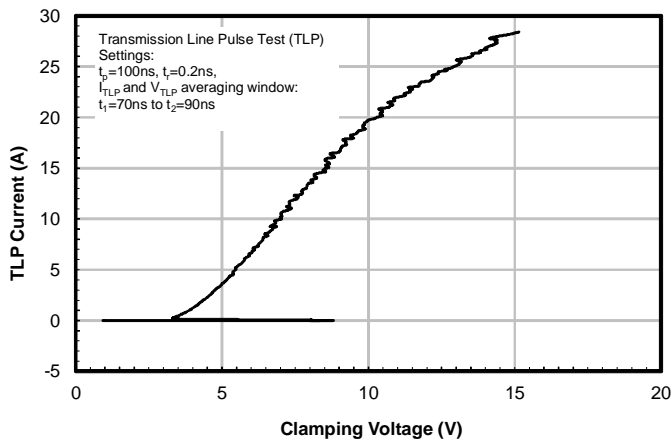
**ESD Clamping (+8kV Contact per IEC 61000-4-2)
(Between any I/O and Ground)**



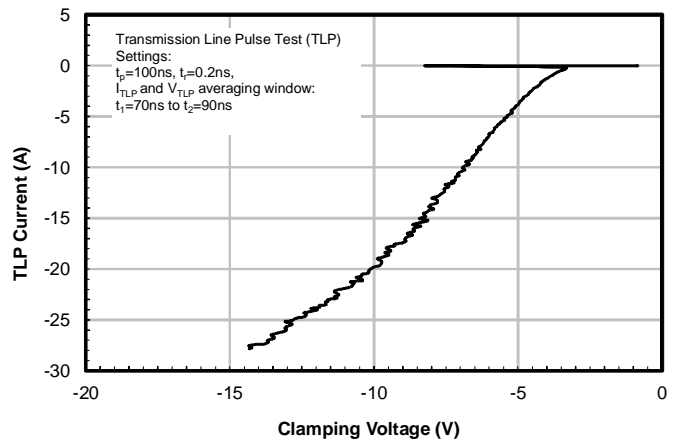
**ESD Clamping (-8kV Contact per IEC 61000-4-2)
(Between any I/O and Ground)**

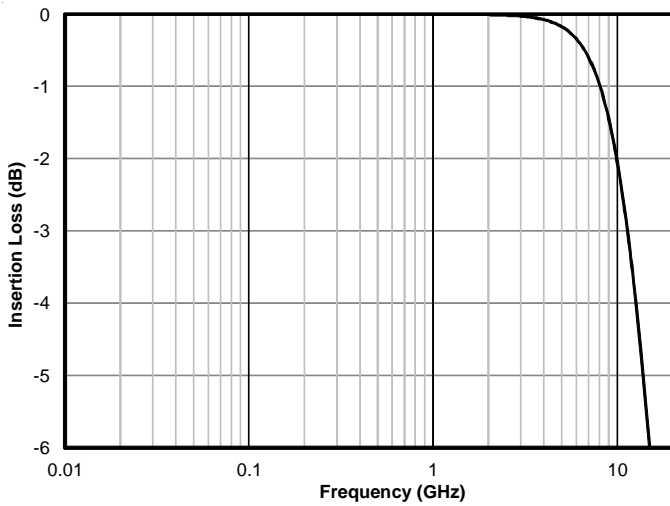
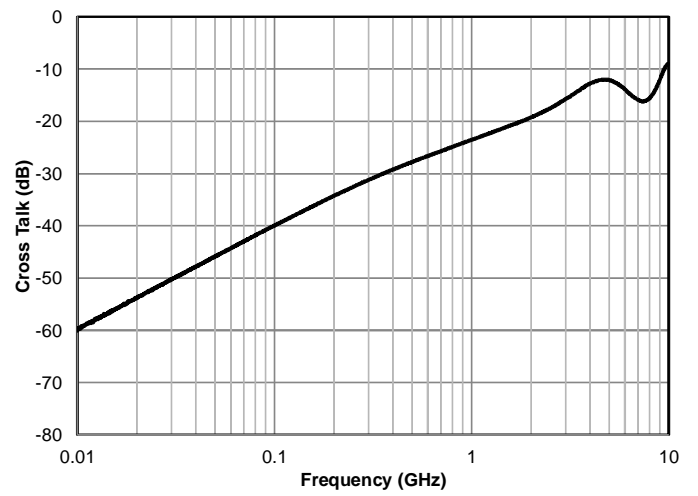


TLP Characteristic (Positive)



TLP Characteristic (Negative)



PROTECTION PRODUCTS
Typical Characteristics
Typical Insertion Loss S21

Analog Crosstalk


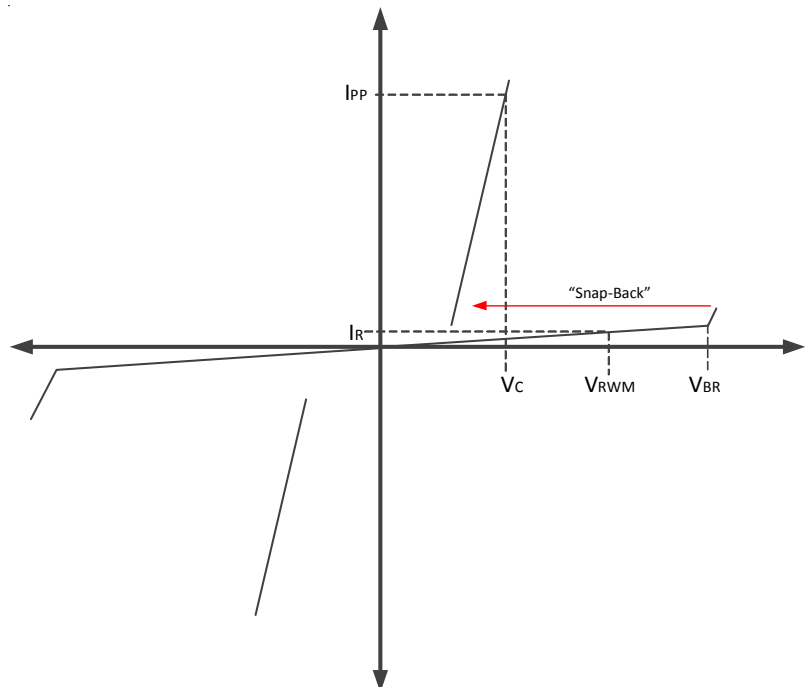
PROTECTION PRODUCTS

Applications Information

Device Operation

This device utilizes a multi-junction structure that is designed to switch to a low voltage state when triggered by ESD, EOS, or other transient events. During normal operation, the device will present a high-impedance to the circuit for voltage up to the working voltage (V_{RWM}) of the device. When the voltage across the device terminals exceeds the breakdown voltage (V_{BR}), avalanche breakdown occurs in the blocking junction causing the device to "snap-back" or switch to a low impedance on-state. This has the advantage of lowering the overall clamping voltage (V_C) as ESD peak pulse current (I_{PP}) flows through the device. Once the current subsides, the device will return to a high-impedance off-state. Since this device is bidirectional, it will behave the same way for positive or negative polarity transient events.

Symbol	Parameter
V_{RWM}	Maximum Working Voltage
V_{BR}	Breakdown Voltage
V_C	Clamping Voltage
I_R	Reverse Leakage Current
I_{PP}	Peak Pulse Current



Characteristic Curve

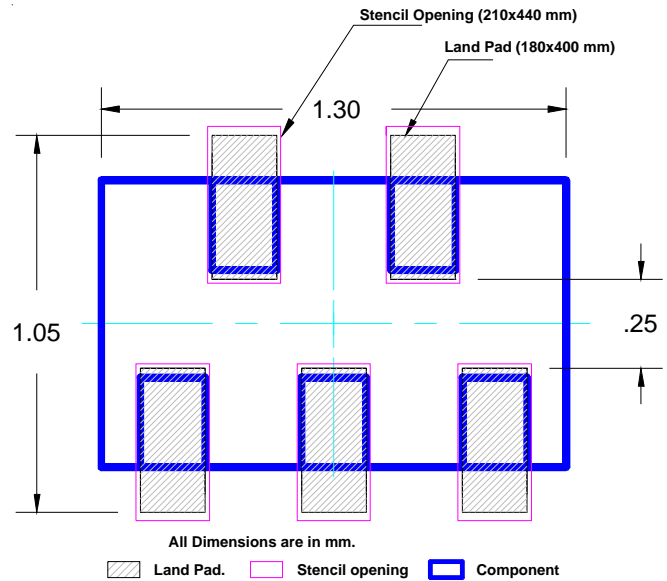
PROTECTION PRODUCTS

Applications Information

Assembly Guidelines

The small size of this device means that some care must be taken during the mounting process to insure reliable solder joint. The table below provides Semtech's recommended assembly guidelines for mounting this device. The figure at the right details Semtech's recommended aperture based on the below recommendations. Note that these are only recommendations and should serve only as a starting point for design since there are many factors that affect the assembly process. The exact manufacturing parameters will require some experimentation to get the desired solder application.

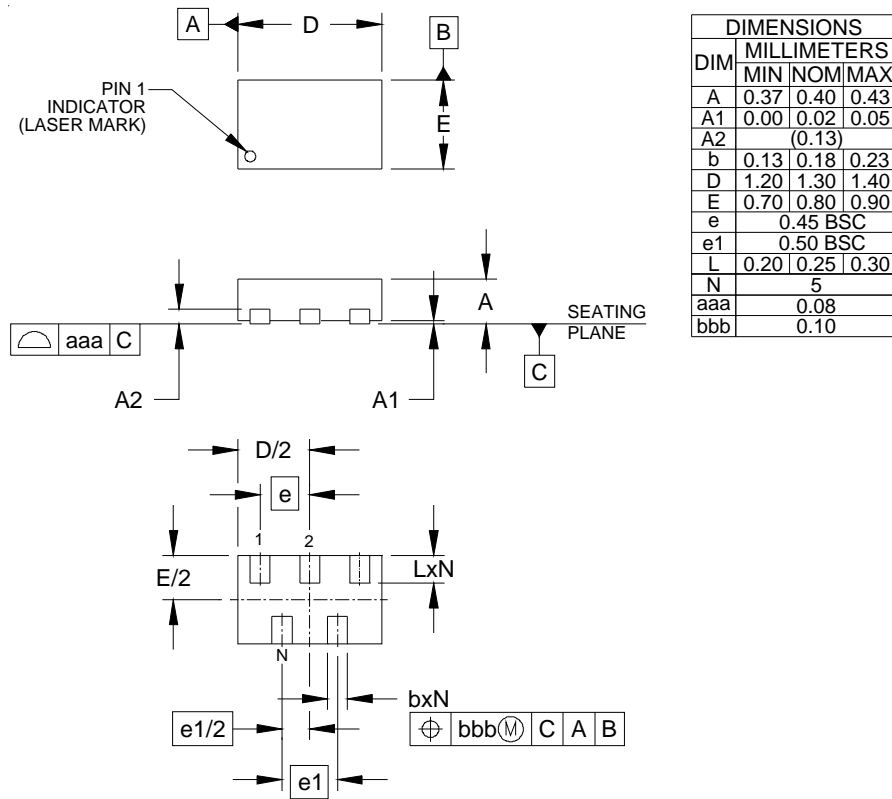
Assembly Parameter	Recommendation
Solder Stencil Design	Laser cut, Electro-polished
Aperture shape	Rectangular
Solder Stencil Thickness	0.100 mm (0.004")
Solder Paste Type	Type 4 size sphere or smaller
Solder Reflow Profile	Per JEDEC J-STD-020
PCB Solder Pad Design	Non-Solder mask defined
PCB Pad Finish	OSP OR NiAu



Recommended Mounting Pattern

PROTECTION PRODUCTS

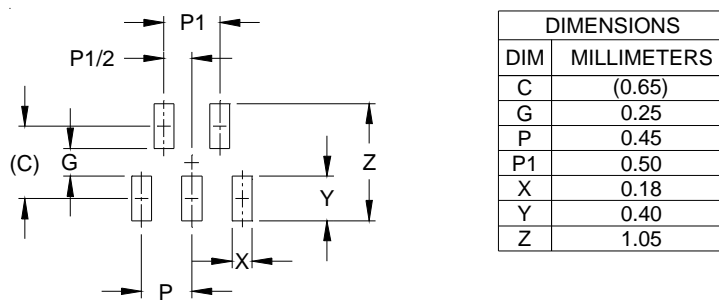
Outline Drawing - SLP1308N5T



NOTES:

1. CONTROLLING DIMENSIONS ARE IN MILLIMETERS (ANGLES IN DEGREES).

Land Pattern - SLP1308N5T

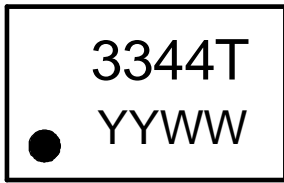


NOTES:

1. CONTROLLING DIMENSIONS ARE IN MILLIMETERS (ANGLES IN DEGREES).
2. THIS LAND PATTERN IS FOR REFERENCE PURPOSES ONLY. CONSULT YOUR MANUFACTURING GROUP TO ENSURE YOUR COMPANY'S MANUFACTURING GUIDELINES ARE MET.

PROTECTION PRODUCTS

Marking Code



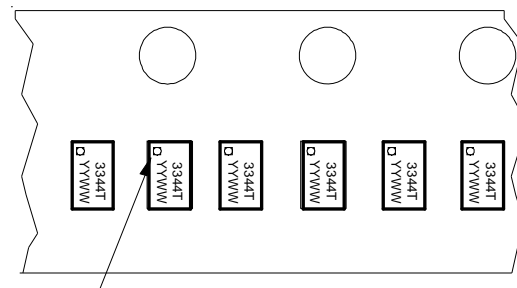
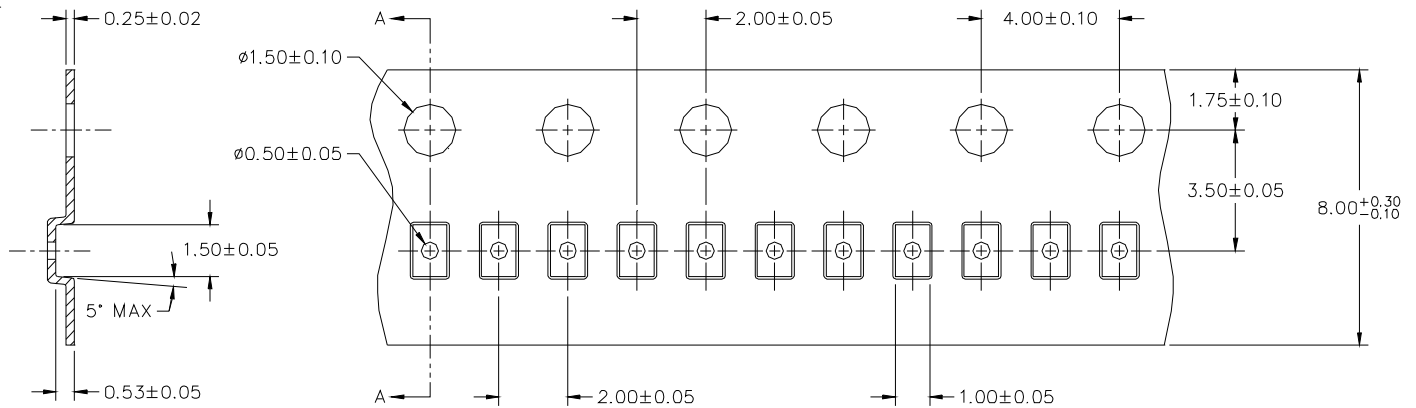
Ordering Information

Part Number	Qty per Reel	Reel Size
RClamp3344T.TNT	10,000	7 Inch

RailClamp and RClamp are trademarks of Semtech Corporation.

YYWW = Date Code
Dot indicates pin 1

Carrier Tape Specification



Pin 1 Location (Towards Sprocket Holes)

→
User Direction of feed

Device Orientation in Tape

Contact Information

Semtech Corporation
Protection Products Division
200 Flynn Rd., Camarillo, CA 93012
Phone: (805)498-2111 FAX (805)498-3804