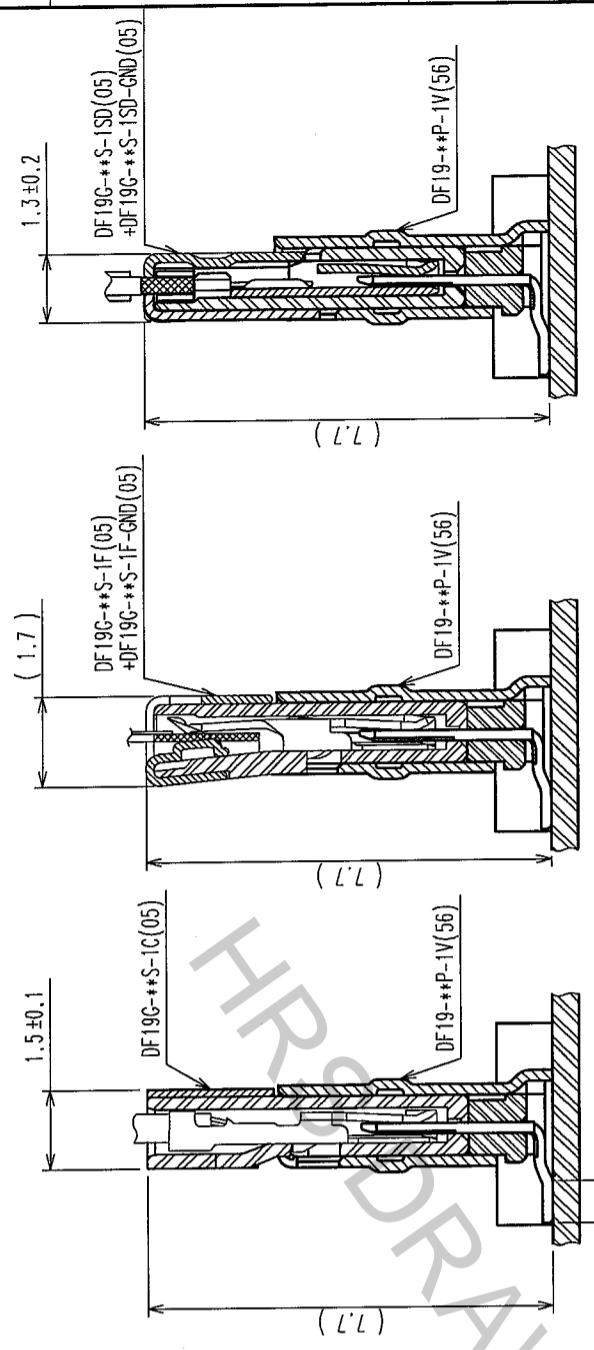
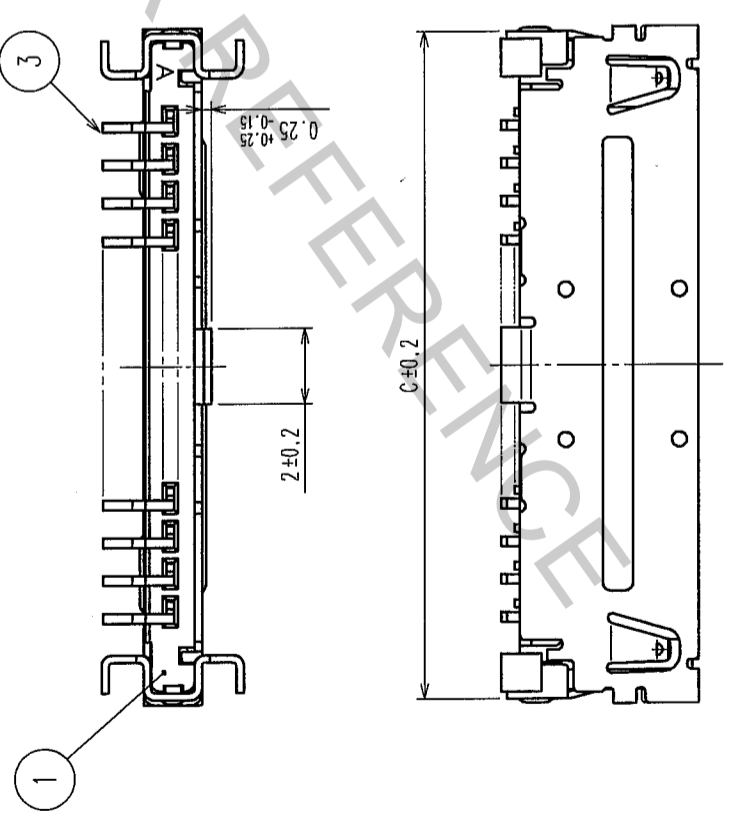
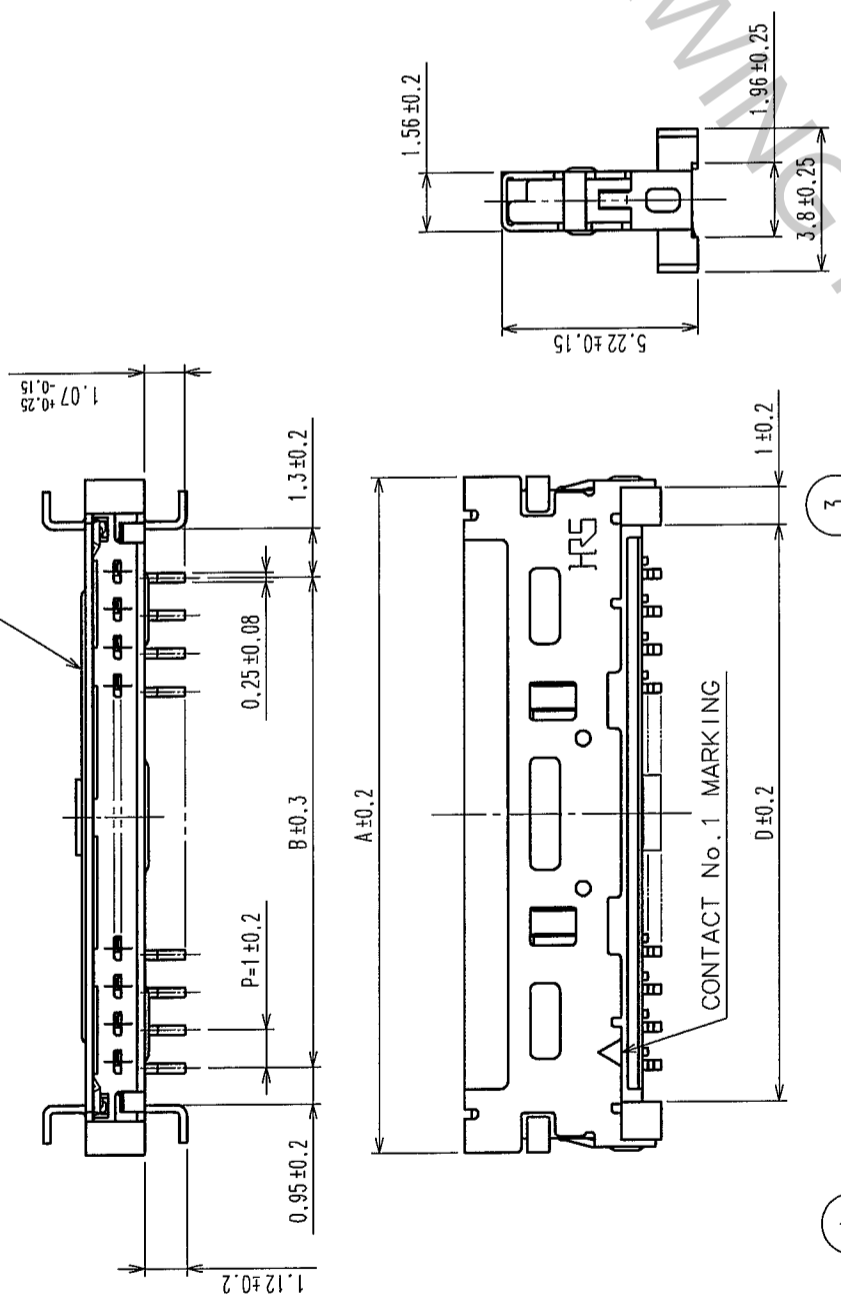
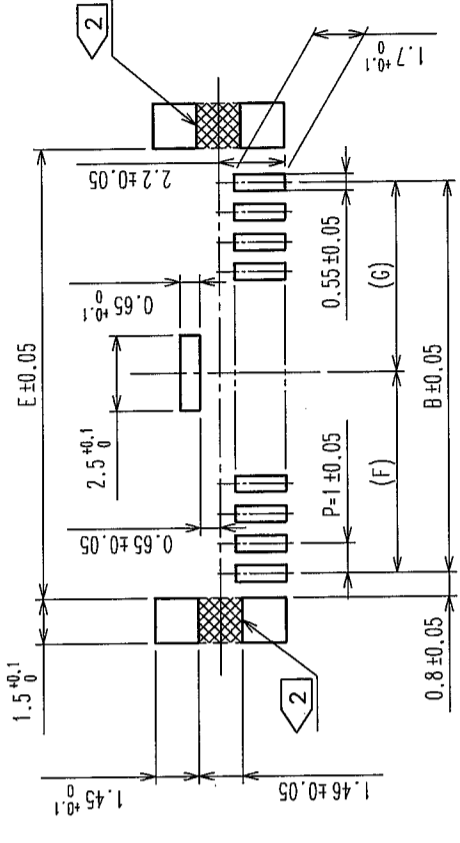


COUNT	DESCRIPTION OF REVISIONS	BY	CHKD	DATE	COUNT	DESCRIPTION OF REVISIONS	BY	CHKD	DATE
△					△				
△					△				
△					△				

APPLICATION DIAGRAM(FREE)



RECOMMENDED PATTERN(FREE)



6	POLYAMIDE	CAP
5	POLYESTER	COVER TAPE, CLEAR
4	PS	EMBOSSED CARRIER TAPE, CLEAR

2	PHOSPHOR BRONZE	SURFACE:TIN-COPPER PLATED 1μm min UNDER PLATING:NICKEL PLATED 0.5μm min
1	POLYAMIDE	NATURAL (BEIGE), UL94V-0

NO.	MATERIAL	FINISH, REMARKS	NO.	MATERIAL	FINISH, REMARKS
3	PHOSPHOR BRONZE	CONTACT AREA:GOLD PLATED 0.1μm min LEAD AREA:TIN-COPPER PLATED 1μm min UNDER PLATING:NICKEL PLATED 1μm min	3	PHOSPHOR BRONZE	CONTACT AREA:GOLD PLATED 0.1μm min LEAD AREA:TIN-COPPER PLATED 1μm min UNDER PLATING:NICKEL PLATED 1μm min

DRAWING NO.		PART NO.	
EDC3-302813-01		DF19-**-P-1V(56)	
SCALE		CODE NO.	
5 : 1		CL685	
UNITS		HIROSE ELECTRIC CO., LTD	
mm			

PART No.	CODE No.	NUMBER OF CONTACT	A	B	C	D	E	F	G
DF19-14P-1V(56)	CL685-0036-7-56	14	17.9	13	17.65	15.25	14.95	6.675	6.325
DF19-20P-1V(56)	CL685-0037-0-56	20	23.9	19	23.65	21.25	20.95	9.675	9.325

NOTES 1: LEAD CO-PLANARITY SHALL BE 0.1mm MAX.  
 2: IF THERE IS PATTERN ON PART, THERE IS A POSSIBILITY THAT IT WILL MAKE CONTACT WITH THE METAL SHELL.

TO	
----	--

