

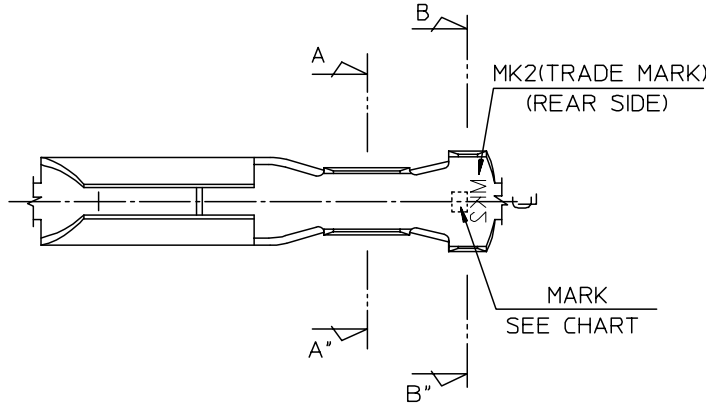
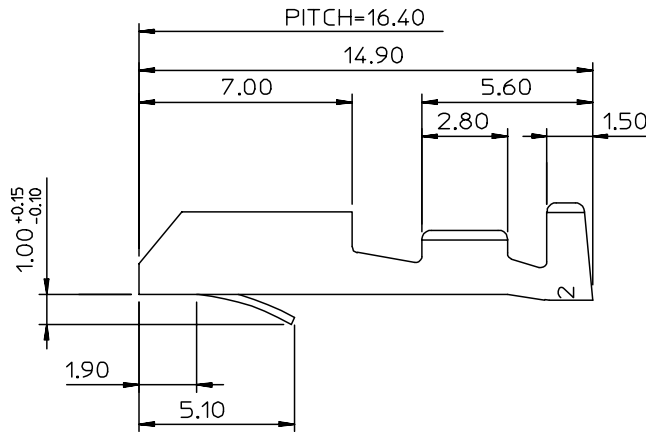
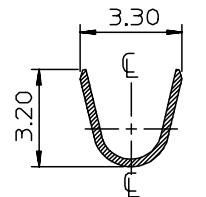
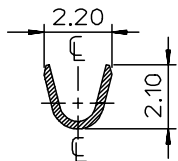
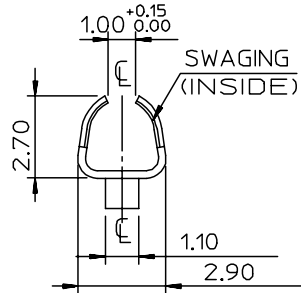
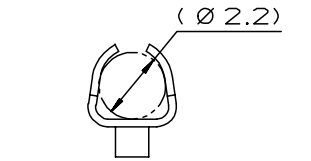
DWG. NO.
SD-35716-001

SIMILAR ITEM

PROJECT NO.

B

DO NOT SCALE DRAWING
DIMENSION IN METRIC



NOTES

1. MATERIAL & PLATING: SEE CHART
2. MATING PIN : 2.36 DIA. ROUND PIN
3. APPLICABLE WIRE RANGE: AWG #24-#20
INSULATION DIAMETER: 1.5-2.7mm
4. RECOMMENDED LENGTH OF WIRE STRIP IS 3.7-4.5mm.

CHART	ENG.NO.	ENG.NO.	MATERIAL	PLATING	MARK
	35716-0110	357160110	BRASS	PRE-TIN	I : (1UP LINE)
	35716-0111	357160111	PHOS.BRONZE	PRE-TIN	II : (2UP LINE)
	35716-0190	357160190	BRASS	PRE-Ni	N1 : (1UP LINE) N2 : (2UP LINE)
35716-0193	357160193	BRASS	PRE-Ni	SI : (1UP LINE) SII : (2UP LINE)	

REVISED ECN NO. KOR2004-0068 DRWN:CB,CHIN 03/11/13 CHK: W.Y.YANG APPR: CW,LEE	DESCRIPTION	QUALITY SYMBOLS	GENERAL TOLERANCES: (UNLESS SPECIFIED)		SCALE	DESIGN UNITS	THIRD ANGLE PROJECTION	DIMENSIONS:		SHT	REV	
		MAJOR ▼ = 0	mm	INCH	□ mm	□ INCH	□ mm ONLY	mm	INCH	mm	INCH	
		CRITICAL ▽ = 0	4 PLACES ±0.	±-	3 PLACES ±0.	±-	2 PLACES ±0.30	±-	1 PLACE ±0.30	±-	DRAWN BY & DATE W.Y.YANG 91/10/14	
		REV	ANGULAR: ± °		CAD FILENAME S7160110.MI		MATERIAL NO. SEE CHART	DRAWING NO. SD-35716-001	SHEET NO. 10F1		TITLE: 2.36 DIA PIN RECEPTACLE TERMINAL	
DRAFT WHERE APPLICABLE MUST REMAIN WITHIN DIMENSIONS			THIS DRAWING CONTAINS INFORMATION THAT IS PROPRIETARY TO MOLEX INCORPORATED AND SHOULD NOT BE USED WITHOUT WRITTEN PERMISSION.			MOLEX INCORPORATED		KOREA		MX-A3		