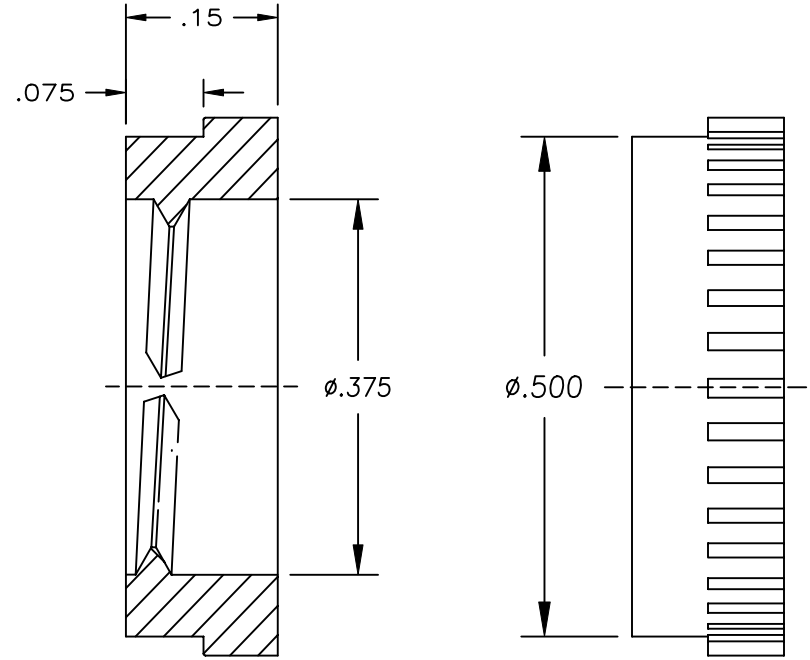
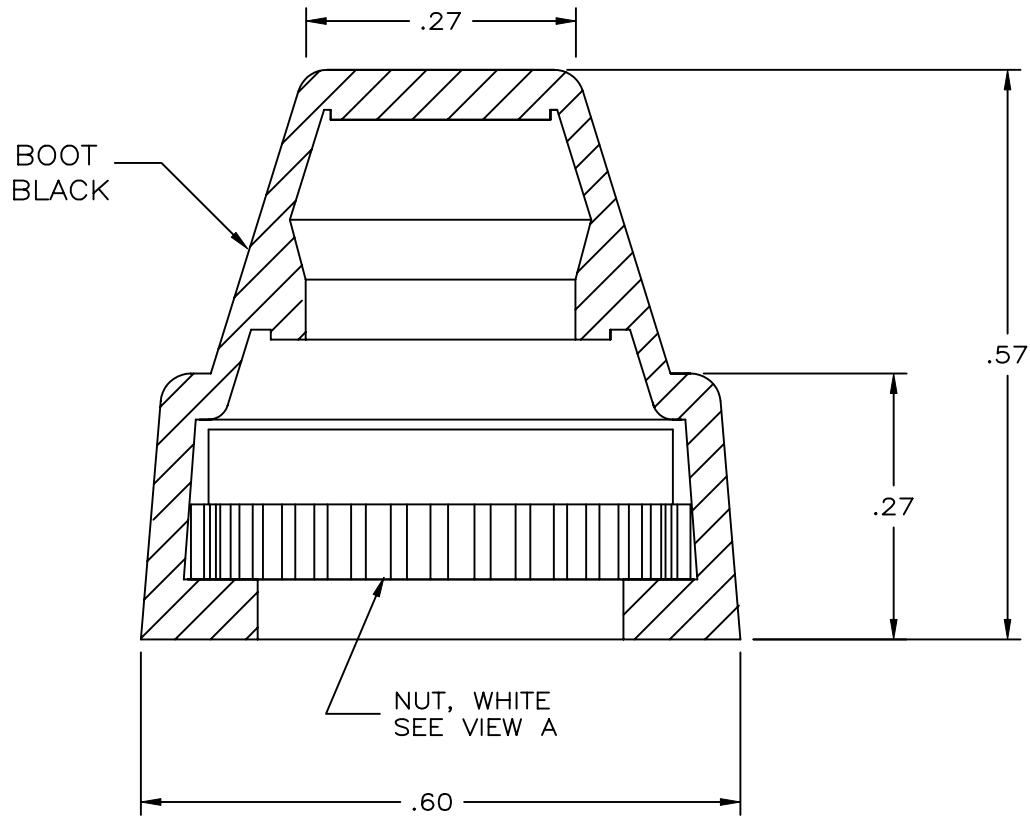


LTR	EN	DESCRIPTION	APPR	BY	DATE
A	-	INITIAL RELEASE	MT	DC	04-01-08
A1	-	ADDED VIEW A	MT	DC	12-09-09



VIEW A

JUDCO INVENTORY NO. 19-1088-00
 DESCRIPTION: J961 BOOT BLACK KRATON
 RoHS COMPLIANT

CUSTOMER:
 CUSTOMER PN:
 APPROVED BY: _____
 DATE: _____

DIMENSIONS IN INCHES DIMENSIONS ARE REFERENCE	 HARBOR CITY CALIFORNIA	
	TITLE J-961 BOOT .57H BLACK, KRATON	
DRAWN: DC 04-01-08	DWG. NO. 1415-1356	
APPR: KJ 12-09-09	SHEET 1 OF 1	
1415U1356A1.DWG		

This document embodies a product, component, and/or design proprietary to JUDCO MANUFACTURING INC., and which is protected either as a trade secret, by U.S. Patent, or by copyright. It may not be used in any way without written express consent of JUDCO MANUFACTURING INC.