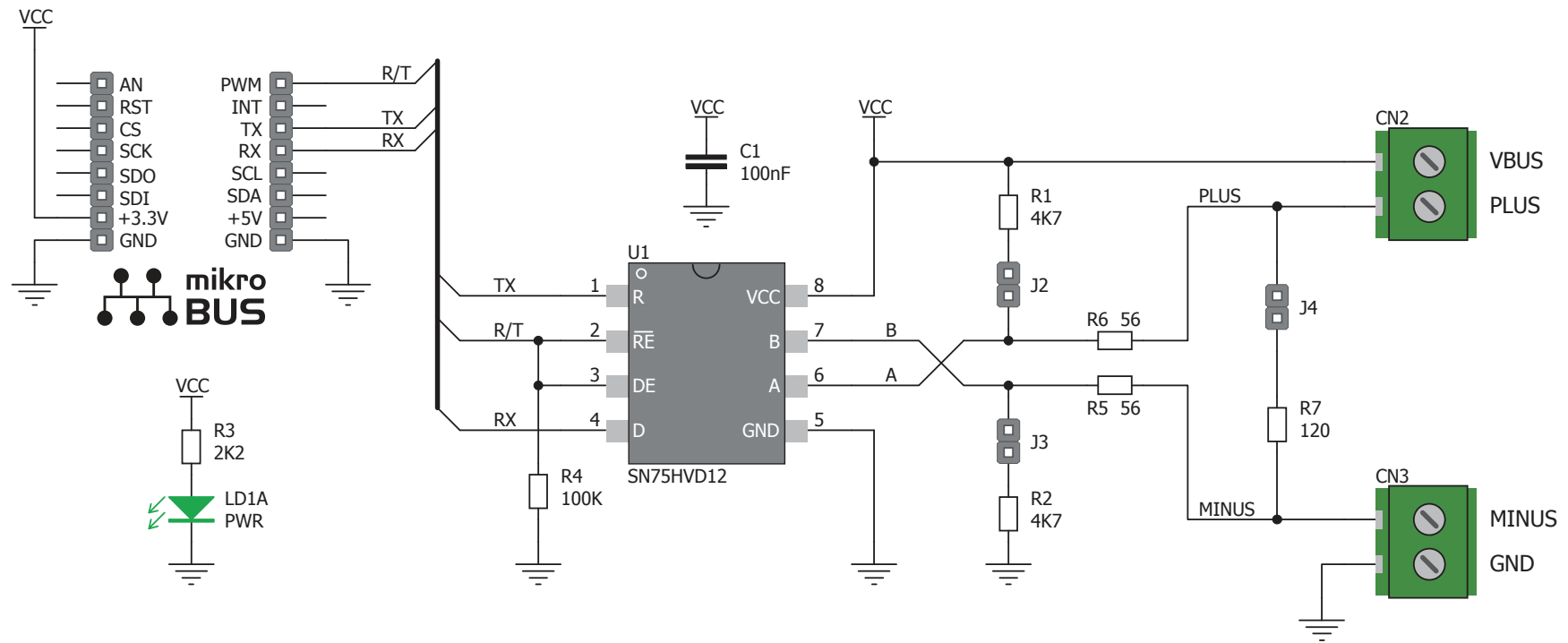


RS485 3.3V click schematic v100



www.mikroe.com