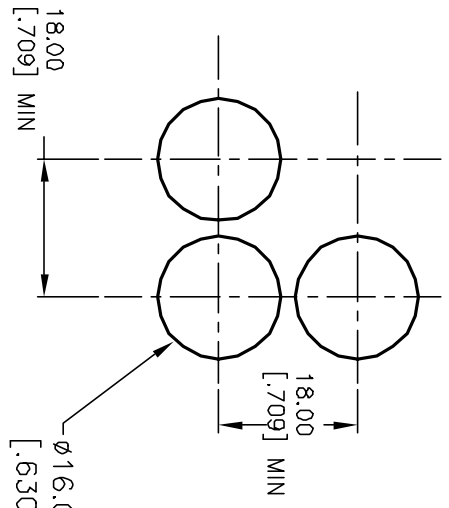
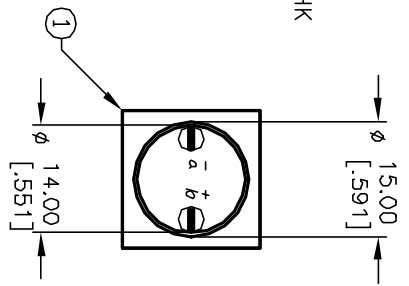
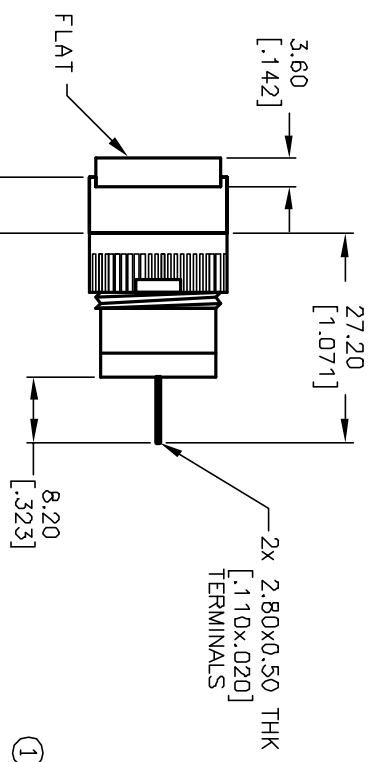
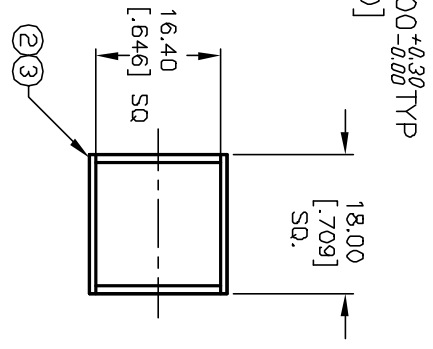


Item	Qty.	Dwg. No.	Part No.
1	1	F040002	L16 PLS100
2	1	F050419	50-004-19 LED
3	1	F050312	50-003-12 GREEN LENS TRANSPARENT



RECOMMENDED PANEL LAYOUT



NOTES:

1. ALL DIMENSIONS IN MM [INCH]
2. GENERAL TOLERANCE: X.XX=±0.4 X.XX=±0.25
3. TERM. NOS. FOR REFERENCE ONLY.
4. RATING: 5A @250V AC
8A @125V AC
5. MECHANICAL LIFETIME: >2 MILLION OPERATIONS
6. CONTACT MATERIAL: COPPER ALLOY W/SILVER PLATING
7. LAMP VOLTAGE: 12V DC

REV.	ECN No.	DESCRIPTION	DATE	CHKD
A	11922	RELEASED FOR PRODUCTION	2/13/02	CJC

TITLE	L16 PL S10 J GRN GRN
SCALE	1:1
DATE	2/13/02
DR	CJC
DWG	XF0429P
REV	A

E-SWITCH®

THE INFORMATION CONTAINED IN THIS DOCUMENT IS PROPRIETARY TO E-SWITCH AND IS NOT TO BE COPIED OR TRANSFERRED